

## 8-Bit CMOS Microcontrollers with USB

### Devices included in this data sheet:

- PIC16C745
- PIC16C765

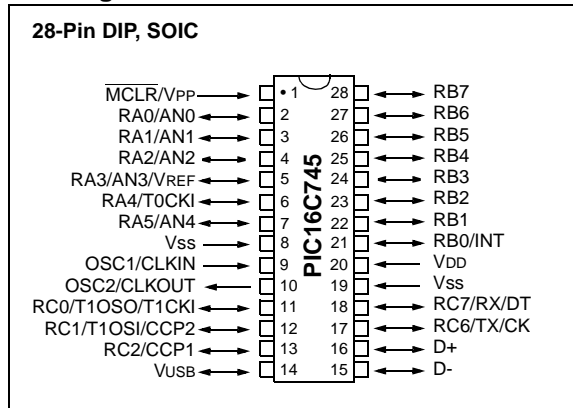
### Microcontroller Core Features:

- High-performance RISC CPU
- Only 35 single word instructions

| Device    | Memory      |         | Pins | A/D Resolution | A/D Channels |
|-----------|-------------|---------|------|----------------|--------------|
|           | Program x14 | Data x8 |      |                |              |
| PIC16C745 | 8K          | 256     | 28   | 8              | 5            |
| PIC16C765 | 8K          | 256     | 40   | 8              | 8            |

- All single cycle instructions except for program branches which are two cycle
- Interrupt capability (up to 12 internal/external interrupt sources)
- Eight level deep hardware stack
- Direct, indirect and relative addressing modes
- Power-on Reset (POR)
- Power-up Timer (PWRT) and Oscillator Start-up Timer (OST)
- Watchdog Timer (WDT) with its own on-chip RC oscillator for reliable operation
- Brown-out detection circuitry for Brown-out Reset (BOR)
- Programmable code-protection
- Power saving SLEEP mode
- Selectable oscillator options
  - EC - External clock (24 MHz)
  - E4 - External clock with PLL (6 MHz)
  - HS - Crystal/Resonator (24 MHz)
  - H4 - Crystal/Resonator with PLL (6 MHz)
- Processor clock of 24MHz derived from 6 MHz crystal or resonator
- Fully static low-power, high-speed CMOS
- In-Circuit Serial Programming™ (ICSP)
- Operating voltage range
  - 4.35 to 5.25V
- High Sink/Source Current 25/25 mA
- Wide temperature range
  - Industrial (-40°C - 85°C)
- Low-power consumption:
  - < TBD @ 5V, 6 MHz
  - < TBD typical standby current

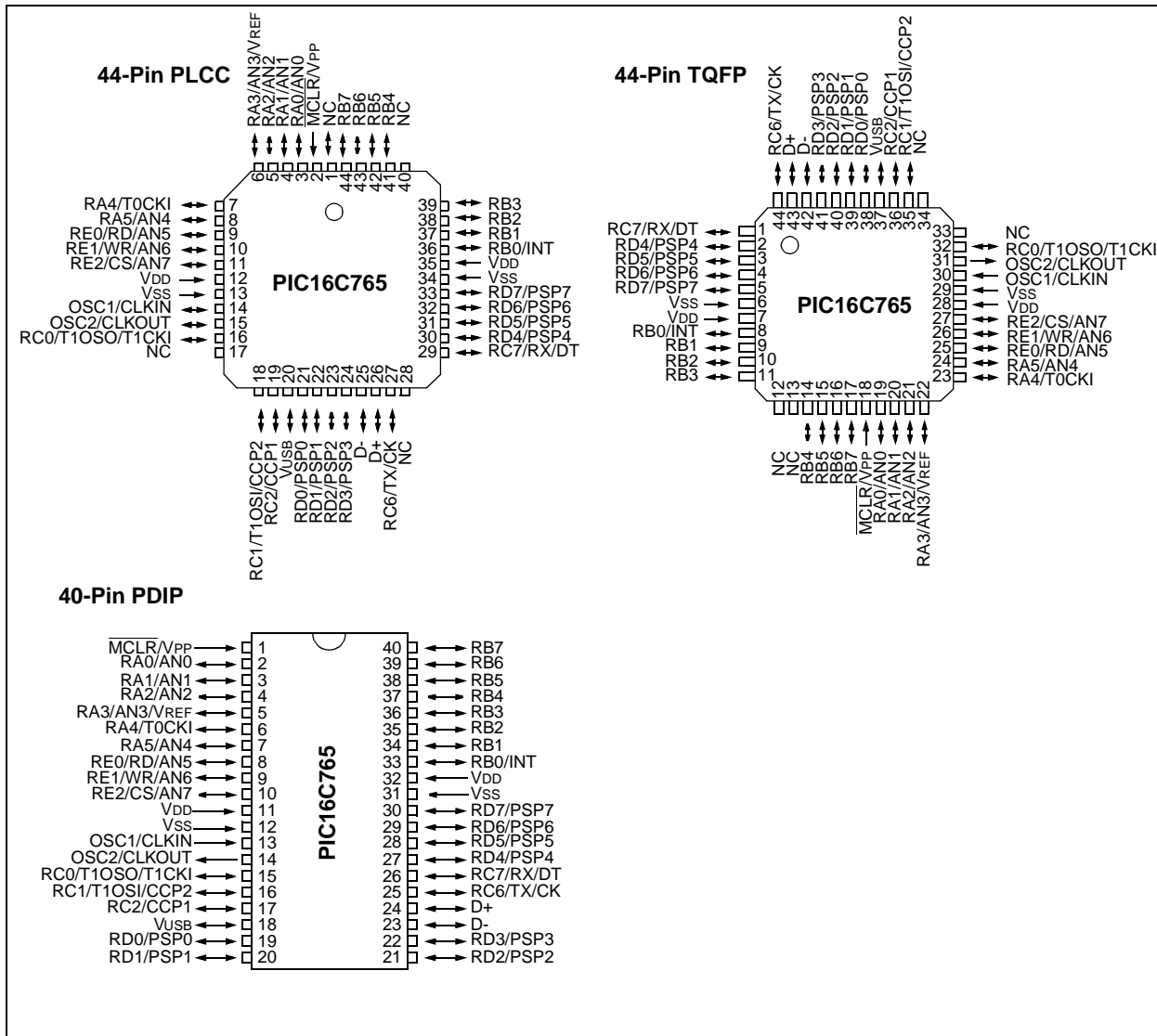
### Pin Diagrams



### Peripheral Features:

- Universal Serial Bus (USB 1.1)
- 64 bytes of USB dual port RAM
- 22 (PIC16C745) or 33 (PIC16C765) I/O pins
  - Individual direction control
  - 1 high voltage open drain (RA4)
  - 8 PORTB pins with:
    - Interrupt on change control (RB<7:4> only)
    - Weak pull up control
  - 3 pins dedicated to USB
- Timer0: 8-bit timer/counter with 8-bit prescaler
- Timer1: 16-bit timer/counter with prescaler can be incremented during sleep via external crystal/clock
- Timer2: 8-bit timer/counter with 8-bit period register, prescaler and postscaler
- 2 Capture, Compare and PWM modules
  - Capture is 16 bit, max. resolution is 10.4 ns
  - Compare is 16 bit, max. resolution is 167 ns
  - PWM maximum resolution is 10 bit
- 8-bit multi-channel Analog-to-Digital converter
- Universal Synchronous Asynchronous Receiver Transmitter (USART/SCI)
- Parallel Slave Port (PSP) 8-bits wide, with external  $\overline{RD}$ ,  $\overline{WR}$  and  $\overline{CS}$  controls (PIC16C765 only)

# PIC16C745/765



| Key Features<br>PICmicro™ Mid-Range Reference Manual<br>(DS33023) | PIC16C745            | PIC16C765                |
|---|----------------------|--------------------------|
| Operating Frequency   | 6 MHz or 24 MHz      | 6 MHz or 24 MHz          |
| Resets (and Delays)   | POR, BOR (PWRT, OST) | POR, BOR (PWRT, OST)     |
| Program Memory (14-bit words)                                     | 8K                   | 8K                       |
| Data Memory (bytes)   | 256                  | 256                      |
| Dual Port Ram   | 64                   | 64                       |
| Interrupt Sources   | 11                   | 12                       |
| I/O Ports   | 22 (Ports A, B, C)   | 33 (Ports A, B, C, D, E) |
| Timers  | 3                    | 3                        |
| Capture/Compare/PWM modules                                       | 2                    | 2                        |
| Analog-to-Digital Converter Module                                | 5 channel x 8 bit    | 8 channel x 8 bit        |
| Parallel Slave Port   | —                    | Yes                      |
| Serial Communication  | USB, USART/SCI       | USB, USART/SCI           |
| Brown Out Detect Reset  | Yes                  | Yes                      |

## Table of Contents

|      |   |     |
|------|---|-----|
| 1.0  | General Description .....   | 5   |
| 2.0  | PIC16C745/765 Device Varieties .....                                  | 7   |
| 3.0  | Architectural Overview .....  | 9   |
| 4.0  | Memory Organization.....  | 15  |
| 5.0  | I/O Ports.....  | 31  |
| 6.0  | Timer0 Module .....   | 43  |
| 7.0  | Timer1 Module .....   | 45  |
| 8.0  | Timer2 Module .....   | 49  |
| 9.0  | Capture/Compare/PWM Modules .....                                     | 51  |
| 10.0 | Universal Serial Bus.....   | 57  |
| 11.0 | Universal Synchronous Asynchronous Receiver Transmitter (USART) ..... | 75  |
| 12.0 | Analog-to-Digital Converter (A/D) Module .....                        | 89  |
| 13.0 | Special Features of the CPU .....                                     | 95  |
| 14.0 | Instruction Set Summary.....  | 109 |
| 15.0 | Development Support .....   | 117 |
| 16.0 | Electrical Characteristics.....                                       | 123 |
| 17.0 | DC and AC Characteristics Graphs and Tables .....                     | 141 |
| 18.0 | Packaging Information .....   | 143 |
|      | Index .....   | 151 |
|      | On-Line Support.....  | 155 |
|      | Reader Response .....   | 156 |
|      | Product Identification System .....                                   | 157 |

### *To Our Valued Customers*

#### **Most Current Data Sheet**

To obtain the most up-to-date version of this data sheet, please register at our Worldwide Web site at:

<http://www.microchip.com>

You can determine the version of a data sheet by examining its literature number found on the bottom outside corner of any page. The last character of the literature number is the version number. e.g., DS30000A is version A of document DS30000.

#### **New Customer Notification System**

Register on our web site ([www.microchip.com/cn](http://www.microchip.com/cn)) to receive the most current information on our products.

#### **Errata**

An errata sheet may exist for current devices, describing minor operational differences (from the data sheet) and recommended workarounds. As device/documentation issues become known to us, we will publish an errata sheet. The errata will specify the revision of silicon and revision of document to which it applies.

To determine if an errata sheet exists for a particular device, please check with one of the following:

- Microchip's Worldwide Web site; <http://www.microchip.com>
- Your local Microchip sales office (see last page)
- The Microchip Corporate Literature Center; U.S. FAX: (480) 786-7277

When contacting a sales office or the literature center, please specify which device, revision of silicon and data sheet (include literature number) you are using.

#### **Corrections to this Data Sheet**

We constantly strive to improve the quality of all our products and documentation. We have spent a great deal of time to ensure that this document is correct. However, we realize that we may have missed a few things. If you find any information that is missing or appears in error, please:

- Fill out and mail in the reader response form in the back of this data sheet.
- E-mail us at [webmaster@microchip.com](mailto:webmaster@microchip.com).

We appreciate your assistance in making this a better document.

# PIC16C745/765

---

NOTES:

## 1.0 GENERAL DESCRIPTION

The PIC16C745/765 devices are low-cost, high-performance, CMOS, fully-static, 8-bit microcontrollers in the PIC16CXX mid-range family.

All PICmicro® microcontrollers employ an advanced RISC architecture. The PIC16CXX microcontroller family has enhanced core features, eight-level deep stack and multiple internal and external interrupt sources. The separate instruction and data buses of the Harvard architecture allow a 14-bit wide instruction word with the separate 8-bit wide data. The two stage instruction pipeline allows all instructions to execute in a single cycle, except for program branches, which require two cycles. A total of 35 instructions (reduced instruction set) are available. Additionally, a large register set gives some of the architectural innovations used to achieve a very high performance.

The PIC16C745 device has 22 I/O pins. The PIC16C765 device has 33 I/O pins. Each device has 256 bytes of RAM. In addition, several peripheral features are available including: three timer/counters, two Capture/Compare/PWM modules and two serial ports. The Universal Serial Bus (USB 1.1) peripheral provides bus communications. The Universal Synchronous Asynchronous Receiver Transmitter (USART) is also known as the Serial Communications Interface or SCI. Also, a 5-channel high-speed 8-bit A/D is provided on the PIC16C745, while the PIC16C765 offers 8 channels. The 8-bit resolution is ideally suited for applications requiring a low-cost analog interface, (e.g., thermostat control, pressure sensing, etc).

The PIC16C745/765 devices have special features to reduce external components, thus reducing cost, enhancing system reliability and reducing power consumption. There are 4 oscillator options, of which EC is for the external regulated clock source, E4 is for the external regulated clock source with PLL, HS is for the high speed crystals/resonators and H4 is for high speed crystals/resonators with PLL. The SLEEP (power-down) feature provides a power-saving mode. The user can wake up the chip from SLEEP through several external and internal interrupts and resets.

A highly reliable Watchdog Timer (WDT), with a dedicated on-chip RC oscillator, provides protection against software lock-up, and also provides one way of waking the device from SLEEP.

A UV erasable CERDIP packaged version is ideal for code development, while the cost-effective One-Time-Programmable (OTP) version is suitable for production in any volume.

The PIC16C745/765 devices fit nicely in many applications ranging from security and remote sensors to appliance controls and automotives. The EPROM technology makes customization of application programs (data loggers, industrial controls, UPS) extremely fast and convenient. The small footprint packages make this microcontroller series perfect for all applications with space limitations. Low cost, low power, high performance, ease of use and I/O flexibility make the PIC16C745/765 devices very versatile, even in areas where no microcontroller use has been considered before (e.g., timer functions, serial communication, capture and compare, PWM functions and coprocessor applications).

### 1.1 Family and Upward Compatibility

Users familiar with the PIC16C5X microcontroller family will realize that this is an enhanced version of the PIC16C5X architecture. Code written for the PIC16C5X can be easily ported to the PIC16CXX family of devices.

### 1.2 Development Support

PICmicro® devices are supported by the complete line of Microchip Development tools.

Please refer to Section 15.0 for more details about Microchip's development tools.

# PIC16C745/765

---

NOTES:

## 2.0 PIC16C745/765 DEVICE VARIETIES

A variety of frequency ranges and packaging options are available. Depending on application and production requirements, the proper device option can be selected using the information in the PIC16C745/765 Product Identification System section at the end of this data sheet. When placing orders, please use that page of the data sheet to specify the correct part number.

### 2.1 UV Erasable Devices

The UV erasable version, offered in windowed CERDIP packages (600 mil), is optimal for prototype development and pilot programs. This version can be erased and reprogrammed to any of the supported oscillator modes.

Microchip's PICSTART<sup>®</sup> Plus and PRO MATE<sup>®</sup> II programmers both support programming of the PIC16C745/765.

### 2.2 One-Time-Programmable (OTP) Devices

The availability of OTP devices is especially useful for customers who need the flexibility for frequent code updates and small volume applications.

The OTP devices, packaged in plastic packages, permit the user to program them once. In addition to the program memory, the configuration bits must also be programmed.

### 2.3 Quick-Turnaround-Production (QTP) Devices

Microchip offers a QTP Programming Service for factory production orders. This service is made available for users who choose not to program a medium to high quantity of units and whose code patterns have stabilized. The devices are identical to the OTP devices but with all EPROM locations and configuration options already programmed by the factory. Certain code and prototype verification procedures apply before production shipments are available. Please contact your local Microchip Technology sales office for more details.

### 2.4 Serialized Quick-Turnaround Production (SQTP<sup>SM</sup>) Devices

Microchip offers a unique programming service where a few user-defined locations in each device are programmed with different serial numbers. The serial numbers may be random, pseudo-random or sequential.

Serial programming allows each device to have a unique number, which can serve as an entry-code, password or ID number.

# PIC16C745/765

---

NOTES:



## 3.0 ARCHITECTURAL OVERVIEW

The high performance of the PIC16CXX family can be attributed to a number of architectural features commonly found in RISC microprocessors. To begin with, the PIC16CXX uses a Harvard architecture, in which program and data are accessed from separate memories using separate buses. This improves bandwidth over traditional von Neumann architecture in which program and data are fetched from the same memory using the same bus. Separating program and data buses further allows instructions to be sized differently than the 8-bit wide data word. Instruction opcodes are 14-bits wide making it possible to have all single word instructions. A 14-bit wide program memory access bus fetches a 14-bit instruction in a single cycle. A two-stage pipeline overlaps fetch and execution of instructions (Example 3-1). Consequently, most instructions execute in a single cycle (166.6667 ns @ 24 MHz) except for program branches.

| Device    | Memory      |         | Pins | A/D Resolution | A/D Channels |
|-----------|-------------|---------|------|----------------|--------------|
|           | Program x14 | Data x8 |      |                |              |
| PIC16C745 | 8K          | 256     | 28   | 8              | 5            |
| PIC16C765 | 8K          | 256     | 40   | 8              | 8            |

The PIC16CXX can directly or indirectly address its register files or data memory. All special function registers, including the program counter, are mapped in the data memory. The PIC16CXX has an orthogonal (symmetrical) instruction set that makes it possible to carry out any operation on any register using any addressing mode. This symmetrical nature and lack of 'special optimal situations' make programming with the PIC16CXX simple yet efficient. In addition, the learning curve is reduced significantly.

PIC16CXX devices contain an 8-bit ALU and working register. The ALU is a general purpose arithmetic unit. It performs arithmetic and Boolean functions between the data in the working register and any register file.

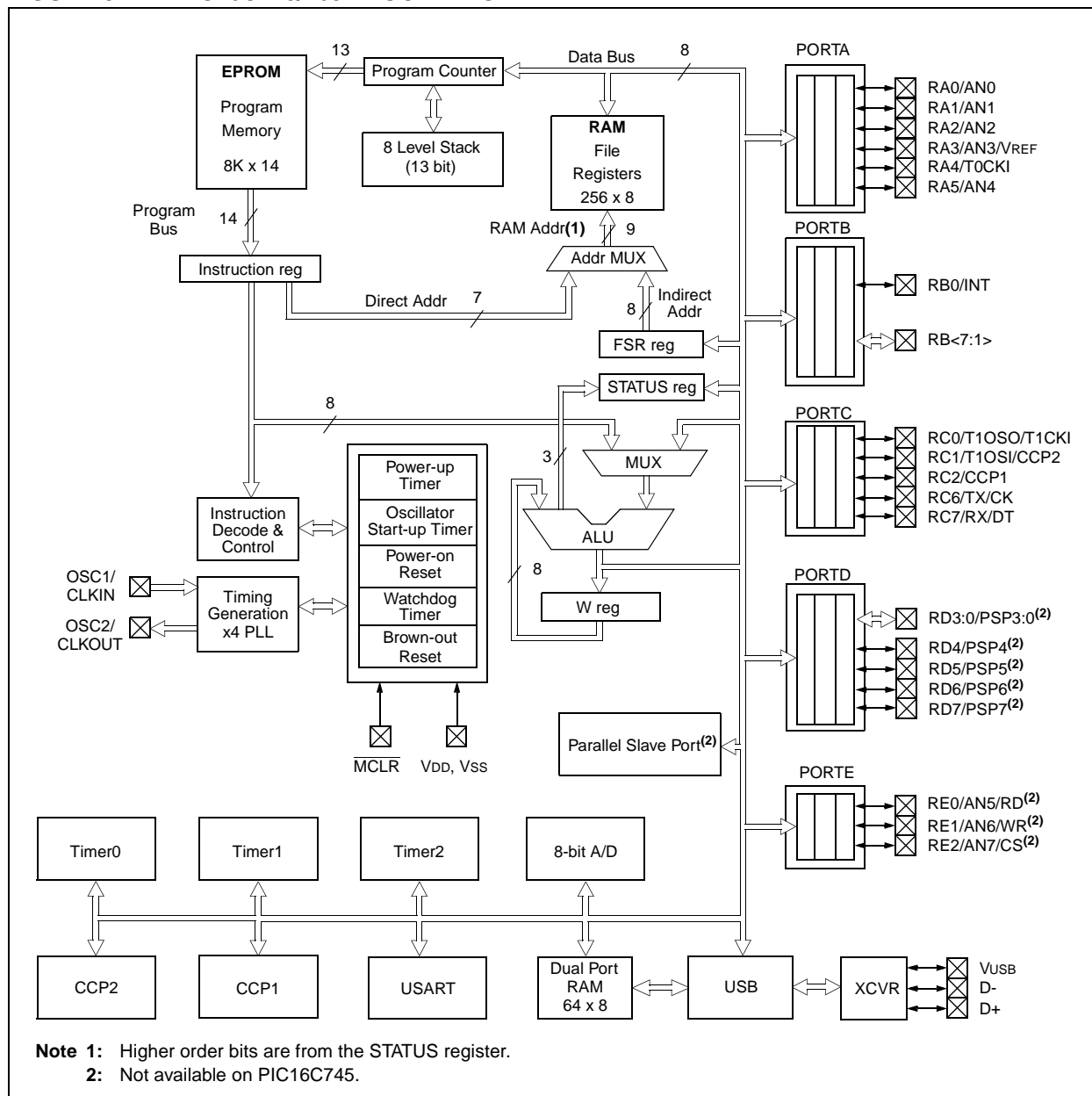
The ALU is 8-bits wide and capable of addition, subtraction, shift and logical operations. Unless otherwise mentioned, arithmetic operations are two's complement in nature. In two-operand instructions, typically one operand is the working register (W register). The other operand is a file register or an immediate constant. In single operand instructions, the operand is either the W register or a file register.

The W register is an 8-bit working register used for ALU operations. It is not an addressable register.

Depending on the instruction executed, the ALU may affect the values of the Carry (C), Digit Carry (DC), and Zero (Z) bits in the STATUS register. The C and DC bits operate as a borrow bit and a digit borrow out bit, respectively, in subtraction. See the `SUBLW` and `SUBWF` instructions for examples.

# PIC16C745/765

FIGURE 3-1: PIC16C745/765 BLOCK DIAGRAM



**TABLE 3-1: PIC16C745/765 PINOUT DESCRIPTION**

| Name                                | Function                 | Input Type | Output Type | Description                                  |
|-------------------------------------|--------------------------|------------|-------------|--|
| $\overline{\text{MCLR}}/\text{VPP}$ | $\overline{\text{MCLR}}$ | ST         | —           | Master Clear                                 |
|                                     | VPP                      | Power      | —           | Programming Voltage                          |
| OSC1/CLKIN                          | OSC1                     | Xtal       | —           | Crystal/Resonator                            |
|                                     | CLKIN                    | ST         | —           | External Clock Input/ER resistor connection. |
| OSC2/CLKOUT                         | OSC2                     | —          | Xtal        | Crystal/Resonator                            |
|                                     | CLKOUT                   | —          | CMOS        | Internal Clock (FINT/4) Output               |
| RA0/AN0                             | RA0                      | ST         | CMOS        | Bi-directional I/O                           |
|                                     | AN0                      | AN         | —           | A/D Input                                    |
| RA1/AN1                             | RA1                      | ST         | CMOS        | Bi-directional I/O                           |
|                                     | AN1                      | AN         | —           | A/D Input                                    |
| RA2/AN2                             | RA2                      | ST         | CMOS        | Bi-directional I/O                           |
|                                     | AN2                      | AN         | —           | A/D Input                                    |
| RA3/AN3/VREF                        | RA3                      | ST         | CMOS        | Bi-directional I/O                           |
|                                     | AN3                      | AN         | —           | A/D Input                                    |
|                                     | VREF                     | AN         | —           | A/D Positive Reference                       |
| RA4/T0CKI                           | RA4                      | ST         | OD          | Bi-directional I/O                           |
|                                     | T0CKI                    | ST         | —           | Timer 0 Clock Input                          |
| RA5/AN4                             | RA5                      | ST         | —           | Bi-directional I/O                           |
|                                     | AN4                      | AN         | —           | A/D Input                                    |
| RB0/INT                             | RB0                      | TTL        | CMOS        | Bi-directional I/O                           |
|                                     | INT                      | ST         | —           | Interrupt                                    |
| RB1                                 | RB1                      | TTL        | CMOS        | Bi-directional I/O                           |
| RB2                                 | RB2                      | TTL        | CMOS        | Bi-directional I/O                           |
| RB3                                 | RB3                      | TTL        | CMOS        | Bi-directional I/O                           |
| RB4                                 | RB4                      | TTL        | CMOS        | Bi-directional I/O with Interrupt on Change  |
| RB5                                 | RB5                      | TTL        | CMOS        | Bi-directional I/O with Interrupt on Change  |
| RB6/ICSPC                           | RB6                      | TTL        | CMOS        | Bi-directional I/O with Interrupt on Change  |
|                                     | ICSPC                    | ST         | —           | In-Circuit Serial Programming Clock input    |
| RB7/ICSPD                           | RB7                      | TTL        | CMOS        | Bi-directional I/O with Interrupt on Change  |
|                                     | ICSPD                    | ST         | CMOS        | In-Circuit Serial Programming Data I/O       |
| RC0/T1OSO/T1CKI                     | RC0                      | ST         | CMOS        | Bi-directional I/O                           |
|                                     | T1OSO                    | —          | Xtal        | T1 Oscillator Output                         |
|                                     | T1CKI                    | ST         | —           | T1 Clock Input                               |
| RC1/T1OSI/CCP2                      | RC1                      | ST         | CMOS        | Bi-directional I/O                           |
|                                     | T1OSI                    | Xtal       | —           | T1 Oscillator Input                          |
|                                     | CCP2                     | —          | —           | Capture In/Compare Out/PWM Out 2             |
| RC2/CCP1/VUSB                       | RC2                      | ST         | CMOS        | Bi-directional I/O                           |
|                                     | CCP1                     | —          | —           | Capture In/Compare Out/PWM Out 1             |
| VUSB                                | VUSB                     | —          | Power       | 3.3V for pull up resistor                    |
| D-                                  | D-                       | USB        | USB         | USB Differential Bus                         |
| D+                                  | D+                       | USB        | USB         | USB Differential Bus                         |

Legend: OD = open drain, ST = Schmitt Trigger

**Note 1:** Weak pull-ups. PORT B pull-ups are byte wide programmable.

**2:** PIC16C765 only.

# PIC16C745/765

**TABLE 3-1: PIC16C745/765 PINOUT DESCRIPTION (CONTINUED)**

| Name                  | Function     | Input Type | Output Type | Description                                      |
|-----------------------|--------------|------------|-------------|--|
| RC6/TX/CK             | RC6          | ST         | CMOS        | Bi-directional I/O                               |
|                       | TX           | —          | CMOS        | USART Async Transmit                             |
|                       | CK           | ST         | CMOS        | USART Master Out/Slave In Clock                  |
| RC7/RX/DT             | RC7          | ST         | CMOS        | Bi-directional I/O                               |
|                       | RX           | ST         | —           | USART Async Receive                              |
|                       | DT           | ST         | CMOS        | USART Data I/O                                   |
| RD0/PSP0              | RD0          | TTL        | CMOS        | Bi-directional I/O <sup>(2)</sup>                |
|                       | PSP0         | TTL        | —           | Parallel Slave Port data input <sup>(2)</sup>    |
| RD1/PSP1              | RD1          | TTL        | CMOS        | Bi-directional I/O <sup>(2)</sup>                |
|                       | PSP1         | TTL        | —           | Parallel Slave Port data input <sup>(2)</sup>    |
| RD2/PSP2              | RD2          | TTL        | CMOS        | Bi-directional I/O <sup>(2)</sup>                |
|                       | PSP2         | TTL        | —           | Parallel Slave Port data input <sup>(2)</sup>    |
| RD3/PSP3              | RD3          | TTL        | CMOS        | Bi-directional I/O <sup>(2)</sup>                |
|                       | PSP3         | TTL        | —           | Parallel Slave Port data input <sup>(2)</sup>    |
| RD4/PSP4              | RD4          | TTL        | CMOS        | Bi-directional I/O <sup>(2)</sup>                |
|                       | PSP4         | TTL        | —           | Parallel Slave Port data input <sup>(2)</sup>    |
| RD5/PSP5              | RD5          | TTL        | CMOS        | Bi-directional I/O <sup>(2)</sup>                |
|                       | PSP5         | TTL        | —           | Parallel Slave Port data input <sup>(2)</sup>    |
| RD6/PSP6              | RD6          | TTL        | CMOS        | Bi-directional I/O <sup>(2)</sup>                |
|                       | PSP6         | TTL        | —           | Parallel Slave Port data input <sup>(2)</sup>    |
| RD7/PSP7              | RD7          | TTL        | CMOS        | Bi-directional I/O <sup>(2)</sup>                |
|                       | PSP7         | TTL        | —           | Parallel Slave Port data input <sup>(2)</sup>    |
| RE0/RD $\bar{D}$ /AN5 | RE0          | ST         | CMOS        | Bi-directional I/O <sup>(2)</sup>                |
|                       | R $\bar{D}$  | TTL        | —           | Parallel Slave Port control input <sup>(2)</sup> |
|                       | AN5          | AN         | —           | A/D Input <sup>(2)</sup>                         |
| RE1/WR $\bar{R}$ /AN6 | RE1          | ST         | CMOS        | Bi-directional I/O <sup>(2)</sup>                |
|                       | WR $\bar{R}$ | TTL        | —           | Parallel Slave Port control input <sup>(2)</sup> |
|                       | AN6          | AN         | —           | A/D Input <sup>(2)</sup>                         |
| RE2/ $\bar{C}S$ /AN7  | RE2          | ST         | CMOS        | Bi-directional I/O <sup>(2)</sup>                |
|                       | $\bar{C}S$   | TTL        | —           | Parallel Slave Port data input <sup>(2)</sup>    |
|                       | AN7          | AN         | —           | A/D Input <sup>(2)</sup>                         |
| VDD                   | VDD          | Power      | —           | Power  |
| VSS                   | VSS          | Power      | —           | Ground   |
| AVDD                  | AVDD         | Power      | —           | Analog Power                                     |
| AVSS                  | AVSS         | Power      | —           | Analog Ground                                    |

Legend: OD = open drain, ST = Schmitt Trigger

**Note 1:** Weak pull-ups. PORT B pull-ups are byte wide programmable.

**2:** PIC16C765 only.

## 3.1 Clocking Scheme/Instruction Cycle

The clock input feeds an on-chip PLL. The clock output from the PLL (FINT) is internally divided by four to generate four non-overlapping quadrature clocks namely, Q1, Q2, Q3 and Q4. Internally, the program counter (PC) is incremented every Q1, the instruction is fetched from the program memory and latched into the instruction register in Q4. The instruction is decoded and executed during the following Q1 through Q4. The clocks and instruction execution flow is shown in Figure 3-2.

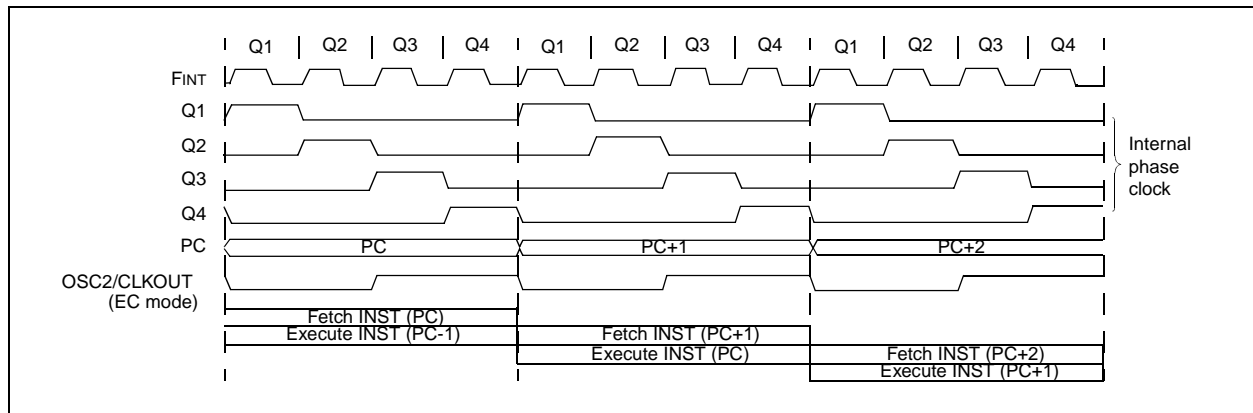
## 3.2 Instruction Flow/Pipelining

An "Instruction Cycle" consists of four Q cycles (Q1, Q2, Q3 and Q4). The instruction fetch and execute are pipelined such that fetch takes one instruction cycle, while decode and execute takes another instruction cycle. However, due to the pipelining, each instruction effectively executes in one cycle. If an instruction causes the program counter to change (e.g., *GOTO*), then two cycles are required to complete the instruction (Example 3-1).

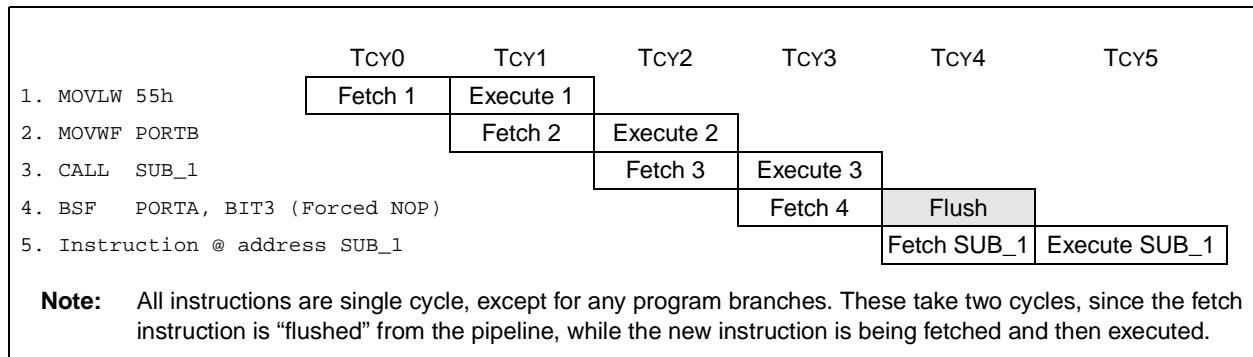
A fetch cycle begins with the program counter (PC) incrementing in Q1.

In the execution cycle, the fetched instruction is latched into the "Instruction Register" (IR) in cycle Q1. This instruction is then decoded and executed during the Q2, Q3 and Q4 cycles. Data memory is read during Q2 (operand read) and written during Q4 (destination write).

**FIGURE 3-2: CLOCK/INSTRUCTION CYCLE**



**EXAMPLE 3-1: INSTRUCTION PIPELINE FLOW**



# PIC16C745/765

---

NOTES:

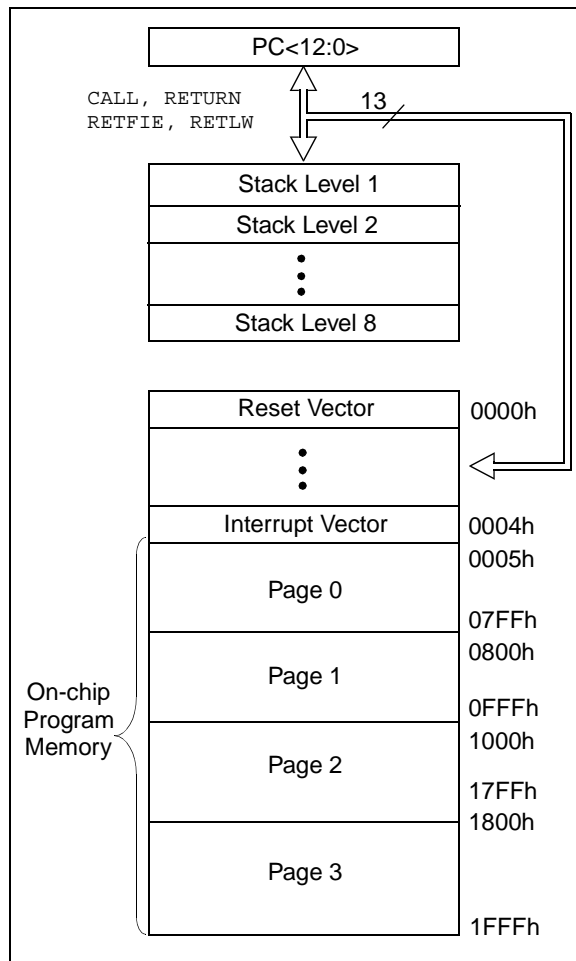
## 4.0 MEMORY ORGANIZATION

### 4.1 Program Memory Organization

The PIC16C745/765 has a 13-bit program counter capable of addressing an 8K x 14 program memory space. All devices covered by this datasheet have 8K x 14 bits of program memory. The address range is 0000h - 1FFFh for all devices.

The reset vector is at 0000h and the interrupt vector is at 0004h.

**FIGURE 4-1: PIC16C745/765 PROGRAM MEMORY MAP AND STACK**



### 4.2 Data Memory Organization

The data memory is partitioned into multiple banks which contain the General Purpose Registers (GPR) and the Special Function Registers (SFR). Bits RP1 and RP0 are the bank select bits.

RP<1:0> (STATUS<6:5>)

= 00 → Bank0

= 01 → Bank1

= 10 → Bank2

= 11 → Bank3

Each bank extends up to 7Fh (128 bytes). The lower locations of each bank are reserved for the SFRs. Above the SFRs are GPRs, implemented as static RAM.

All implemented banks contain SFRs. Some "high use" SFRs from one bank may be mirrored in another bank for code reduction and quicker access.

#### 4.2.1 GENERAL PURPOSE REGISTER FILE

The register file can be accessed either directly or indirectly through the File Select Register (FSR) (Section 4.5).

# PIC16C745/765

**FIGURE 4-2: DATA MEMORY MAP FOR PIC16C745/765**

| Bank 0                            | File Address | Bank 1                            | File Address | Bank 2                            | File Address | Bank 3                        | File Address        |
|-----------------------------------|--------------|-----------------------------------|--------------|-----------------------------------|--------------|-------------------------------|---------------------|
| Indirect addr.(*)                 | 00h          | Indirect addr.(*)                 | 80h          | Indirect addr.(*)                 | 100h         | Indirect addr.(*)             | 180h                |
| TMR0                              | 01h          | OPTION_REG                        | 81h          | TMR0                              | 101h         | OPTION_REG                    | 181h                |
| PCL                               | 02h          | PCL                               | 82h          | PCL                               | 102h         | PCL                           | 182h                |
| STATUS                            | 03h          | STATUS                            | 83h          | STATUS                            | 103h         | STATUS                        | 183h                |
| FSR                               | 04h          | FSR                               | 84h          | FSR                               | 104h         | FSR                           | 184h                |
| PORTA                             | 05h          | TRISA                             | 85h          |                                   | 105h         |                               | 185h                |
| PORTB                             | 06h          | TRISB                             | 86h          | PORTB                             | 106h         | TRISB                         | 186h                |
| PORTC                             | 07h          | TRISC                             | 87h          |                                   | 107h         |                               | 187h                |
| PORTD <sup>(2)</sup>              | 08h          | TRISD <sup>(2)</sup>              | 88h          |                                   | 108h         |                               | 188h                |
| PORTE <sup>(2)</sup>              | 09h          | TRISE <sup>(2)</sup>              | 89h          |                                   | 109h         |                               | 189h                |
| PCLATH                            | 0Ah          | PCLATH                            | 8Ah          | PCLATH                            | 10Ah         | PCLATH                        | 18Ah                |
| INTCON                            | 0Bh          | INTCON                            | 8Bh          | INTCON                            | 10Bh         | INTCON                        | 18Bh                |
| PIR1                              | 0Ch          | PIE1                              | 8Ch          |                                   | 10Ch         |                               | 18Ch                |
| PIR2                              | 0Dh          | PIE2                              | 8Dh          |                                   | 10Dh         |                               | 18Dh                |
| TMR1L                             | 0Eh          | PCON                              | 8Eh          |                                   | 10Eh         |                               | 18Eh                |
| TMR1H                             | 0Fh          |                                   | 8Fh          |                                   | 10Fh         |                               | 18Fh                |
| T1CON                             | 10h          |                                   | 90h          |                                   | 110h         | UIR                           | 190h                |
| TMR2                              | 11h          |                                   | 91h          |                                   | 111h         | UIE                           | 191h                |
| T2CON                             | 12h          | PR2                               | 92h          |                                   | 112h         | UEIR                          | 192h                |
|                                   | 13h          |                                   | 93h          |                                   | 113h         | UEIE                          | 193h                |
|                                   | 14h          |                                   | 94h          |                                   | 114h         | USTAT                         | 194h                |
| CCPR1L                            | 15h          |                                   | 95h          |                                   | 115h         | UCTRL                         | 195h                |
| CCPR1H                            | 16h          |                                   | 96h          |                                   | 116h         | UADDR                         | 196h                |
| CCP1CON                           | 17h          |                                   | 97h          |                                   | 117h         | USWSTAT <sup>(1)</sup>        | 197h                |
| RCSTA                             | 18h          | TXSTA                             | 98h          |                                   | 118h         | UEP0                          | 198h                |
| TXREG                             | 19h          | SPBRG                             | 99h          |                                   | 119h         | UEP1                          | 199h                |
| RCREG                             | 1Ah          |                                   | 9Ah          |                                   | 11Ah         | UEP2                          | 19Ah                |
| CCPR2L                            | 1Bh          |                                   | 9Bh          |                                   | 11Bh         |                               | 19Bh <sup>(1)</sup> |
| CCPR2H                            | 1Ch          |                                   | 9Ch          |                                   | 11Ch         |                               | 19Ch <sup>(1)</sup> |
| CCP2CON                           | 1Dh          |                                   | 9Dh          |                                   | 11Dh         |                               | 19Dh <sup>(1)</sup> |
| ADRESH                            | 1Eh          |                                   | 9Eh          |                                   | 11Eh         |                               | 19Eh <sup>(1)</sup> |
| ADCON0                            | 1Fh          | ADCON1                            | 9Fh          |                                   | 11Fh         |                               | 19Fh <sup>(1)</sup> |
| General Purpose Register 96 Bytes | 20h          | General Purpose Register 80 Bytes | A0h          | General Purpose Register 80 Bytes | 120h         | USB Dual Port Memory 64 Bytes | 1A0h                |
|                                   |              |                                   | EFh          |                                   | 16Fh         |                               | 1DFh                |
|                                   |              | accesses 70h-7Fh                  | F0h          | accesses 70h-7Fh                  | 170h         |                               | 1E0h                |
|                                   |              |                                   | FFh          |                                   | 17Fh         | accesses 70h-7Fh              | 1EFh                |
|                                   |              |                                   |              |                                   |              |                               | 1F0h                |
|                                   |              |                                   |              |                                   |              |                               | 1FFh                |

Unimplemented data memory locations, read as '0'.  
 \*Not a physical register.  
**Note 1:** Reserved registers may contain USB state information.  
**2:** Parallel slave ports (PORTD and PORTE) not implemented on PIC16C745; always maintain these bits clear.



## 4.2.2 SPECIAL FUNCTION REGISTERS

The Special Function Registers are registers used by the CPU and Peripheral Modules for controlling the desired operation of the device. These registers are implemented as static RAM.

The Special Function Registers can be classified into two sets (core and peripheral). Those registers associated with the “core” functions are described in this section, and those related to the operation of the peripheral features are described in the section of that peripheral feature.

**TABLE 4-1: SPECIAL FUNCTION REGISTER SUMMARY**

| Address       | Name                    | Bit 7  | Bit 6              | Bit 5   | Bit 4  | Bit 3           | Bit 2               | Bit 1   | Bit 0   | Value on: POR, BOR | Value on all other resets (2) |
|---------------|-------------------------|--|--------------------|---|--|-----------------|---------------------|---------|---------|--------------------|-------------------------------|
| <b>Bank 0</b> |                         |  |                    |   |  |                 |                     |         |         |                    |                               |
| 00h           | INDF <sup>(3)</sup>     | Addressing this location uses contents of FSR to address data memory (not a physical register) |                    |   |  |                 |                     |         |         | 0000 0000          | 0000 0000                     |
| 01h           | TMR0                    | Timer0 module's register   |                    |   |  |                 |                     |         |         | xxxx xxxx          | uuuu uuuu                     |
| 02h           | PCL <sup>(3)</sup>      | Program Counter's (PC) Least Significant Byte  |                    |   |  |                 |                     |         |         | 0000 0000          | 0000 0000                     |
| 03h           | STATUS <sup>(3)</sup>   | IRP <sup>(2)</sup>   | RP1 <sup>(2)</sup> | RP0   | $\overline{TO}$  | $\overline{PD}$ | Z                   | DC      | C       | 0001 1xxxx         | 000q quuu                     |
| 04h           | FSR <sup>(3)</sup>      | Indirect data memory address pointer   |                    |   |  |                 |                     |         |         | xxxx xxxx          | uuuu uuuu                     |
| 05h           | PORTA                   | —  | —                  | PORTA Data Latch when written: PORTA pins when read |  |                 |                     |         |         | --0x 0000          | --0u 0000                     |
| 06h           | PORTB                   | PORTB Data Latch when written: PORTB pins when read  |                    |   |  |                 |                     |         |         | xxxx xxxx          | uuuu uuuu                     |
| 07h           | PORTC                   | RC7  | RC6                | —   | —  | —               | RC2                 | RC1     | RC0     | xx-- -xxx          | uu-- -uuu                     |
| 08h           | PORTD <sup>(4)</sup>    | PORTD Data Latch when written: PORTD pins when read  |                    |   |  |                 |                     |         |         | xxxx xxxx          | uuuu uuuu                     |
| 09h           | PORTE <sup>(4)</sup>    | —  | —                  | —   | —  | —               | RE2                 | RE1     | RE0     | ---- -xxx          | ---- -uuu                     |
| 0Ah           | PCLATH <sup>(1,3)</sup> | —  | —                  | —   | Write Buffer for the upper 5 bits of the Program Counter |                 |                     |         |         | ---0 0000          | ---0 0000                     |
| 0Bh           | INTCON <sup>(3)</sup>   | GIE  | PEIE               | TOIE  | INTE   | RBIE            | T0IF                | INTF    | RBIF    | 0000 000x          | 0000 000u                     |
| 0Ch           | PIR1                    | PSPIF <sup>(4)</sup>   | ADIF               | RCIF  | TXIF   | USBF            | CCP1IF              | TMR2IF  | TMR1IF  | 0000 0000          | 0000 0000                     |
| 0Dh           | PIR2                    | —  | —                  | —   | —  | —               | —                   | —       | CCP2IF  | ---- --0           | ---- --0                      |
| 0Eh           | TMR1L                   | Holding register for the Least Significant Byte of the 16-bit TMR1 register                    |                    |   |  |                 |                     |         |         | xxxx xxxx          | uuuu uuuu                     |
| 0Fh           | TMR1H                   | Holding register for the Most Significant Byte of the 16-bit TMR1 register                     |                    |   |  |                 |                     |         |         | xxxx xxxx          | uuuu uuuu                     |
| 10h           | T1CON                   | —  | —                  | T1CKPS1   | T1CKPS0  | T1OSCEN         | $\overline{T1SYNC}$ | TMR1CS  | TMR1ON  | --00 0000          | --uu uuuu                     |
| 11h           | TMR2                    | Timer2 module's register   |                    |   |  |                 |                     |         |         | 0000 0000          | 0000 0000                     |
| 12h           | T2CON                   | —  | TOUTPS3            | TOUTPS2   | TOUTPS1  | TOUTPS0         | TMR2ON              | T2CKPS1 | T2CKPS0 | -000 0000          | -000 0000                     |
| 13h           | —                       | Unimplemented  |                    |   |  |                 |                     |         |         | —                  | —                             |
| 14h           | —                       | Unimplemented  |                    |   |  |                 |                     |         |         | —                  | —                             |
| 15h           | CCPR1L                  | Capture/Compare/PWM Register1 (LSB)  |                    |   |  |                 |                     |         |         | xxxx xxxx          | uuuu uuuu                     |
| 16h           | CCPR1H                  | Capture/Compare/PWM Register1 (MSB)  |                    |   |  |                 |                     |         |         | xxxx xxxx          | uuuu uuuu                     |
| 17h           | CCP1CON                 | —  | —                  | DC1B1   | DC1B0  | CCP1M3          | CCP1M2              | CCP1M1  | CCP1M0  | --00 0000          | --00 0000                     |
| 18h           | RCSTA                   | SPEN   | RX9                | SREN  | CREN   | —               | FERR                | OERR    | RX9D    | 0000 -00x          | 0000 -00x                     |
| 19h           | TXREG                   | USART Transmit Data Register   |                    |   |  |                 |                     |         |         | 0000 0000          | 0000 0000                     |
| 1Ah           | RCREG                   | USART Receive Data Register  |                    |   |  |                 |                     |         |         | 0000 0000          | 0000 0000                     |
| 1Bh           | CCPR2L                  | Capture/Compare/PWM Register2 (LSB)  |                    |   |  |                 |                     |         |         | xxxx xxxx          | uuuu uuuu                     |
| 1Ch           | CCPR2H                  | Capture/Compare/PWM Register2 (MSB)  |                    |   |  |                 |                     |         |         | xxxx xxxx          | uuuu uuuu                     |
| 1Dh           | CCP2CON                 | —  | —                  | DC2B1   | DC2B0  | CCP2M3          | CCP2M2              | CCP2M1  | CCP2M0  | --00 0000          | --00 0000                     |
| 1Eh           | ADRES                   | A/D Result Register  |                    |   |  |                 |                     |         |         | xxxx xxxx          | uuuu uuuu                     |
| 1Fh           | ADCON0                  | ADCS1  | ADCS0              | CHS2  | CHS1   | CHS0            | GO/DONE             | —       | ADON    | 0000 00-0          | 0000 00-0                     |

Legend: x = unknown, u = unchanged, q = value depends on condition, - = unimplemented read as '0'.  
Shaded locations are unimplemented, read as '0'.

**Note 1:** The upper byte of the program counter is not directly accessible. PCLATH is a holding register for the PC<12:8> whose contents are transferred to the upper byte of the program counter.

- 2: Other (non power-up) resets include external reset through  $\overline{MCLR}$  and Watchdog Timer Reset.
- 3: These registers can be addressed from either bank.
- 4: The Parallel Slave Port (PORTD and PORTE) is not implemented on the PIC16C745, always maintain these bits clear.

# PIC16C745/765

**TABLE 4-1: SPECIAL FUNCTION REGISTER SUMMARY (CONTINUED)**

| Address       | Name                    | Bit 7  | Bit 6  | Bit 5                         | Bit 4  | Bit 3                  | Bit 2                     | Bit 1  | Bit 0  | Value on:<br>POR,<br>BOR | Value on all<br>other resets<br>(2) |           |
|---------------|-------------------------|--|--------|-------------------------------|--|------------------------|---------------------------|--------|--------|--------------------------|-------------------------------------|-----------|
| <b>Bank 1</b> |                         |  |        |                               |  |                        |                           |        |        |                          |                                     |           |
| 80h           | INDF <sup>(3)</sup>     | Addressing this location uses contents of FSR to address data memory (not a physical register) |        |                               |  |                        |                           |        |        | 0000 0000                | 0000 0000                           |           |
| 81h           | OPTION                  | $\overline{\text{RBPU}}$   | INTEDG | TOCS                          | T0SE   | PSA                    | PS2                       | PS1    | PS0    | 1111 1111                | 1111 1111                           |           |
| 82h           | PCL <sup>(3)</sup>      | Program Counter's (PC) Least Significant Byte  |        |                               |  |                        |                           |        |        | 0000 0000                | 0000 0000                           |           |
| 83h           | STATUS <sup>(3)</sup>   | IRP  | RP1    | RP0                           | $\overline{\text{TO}}$                                   | $\overline{\text{PD}}$ | Z                         | DC     | C      | 0001 1xxx                | 000q quuu                           |           |
| 84h           | FSR <sup>(3)</sup>      | Indirect data memory address pointer   |        |                               |  |                        |                           |        |        | xxxx xxxx                | uuuu uuuu                           |           |
| 85h           | TRISA                   | —  | —      | PORTA Data Direction Register |  |                        |                           |        |        | --11 1111                | --11 1111                           |           |
| 86h           | TRISB                   | PORTB Data Direction Register  |        |                               |  |                        |                           |        |        | 1111 1111                | 1111 1111                           |           |
| 87h           | TRISC                   | TRISC7   | TRISC8 | —                             | —  | —                      | TRISC2                    | TRISC1 | TRISC0 | 11-- -111                | 11-- -111                           |           |
| 88h           | TRISD <sup>(4)</sup>    | PORTD Data Direction Register  |        |                               |  |                        |                           |        |        | 1111 1111                | 1111 1111                           |           |
| 89h           | TRISE <sup>(4)</sup>    | IBF  | OBF    | IBOV                          | PSPMODE  | —                      | PORTE Data Direction Bits |        |        | 0000 -111                | 0000 -111                           |           |
| 8Ah           | PCLATH <sup>(1,3)</sup> | —  | —      | —                             | Write Buffer for the upper 5 bits of the Program Counter |                        |                           |        |        |                          | ---0 0000                           | ---0 0000 |
| 8Bh           | INTCON <sup>(3)</sup>   | GIE  | PEIE   | T0IE                          | INTE   | RBIE                   | T0IF                      | INTF   | RBIF   | 0000 000x                | 0000 000u                           |           |
| 8Ch           | PIE1                    | PSPIE <sup>(4)</sup>   | ADIE   | RCIE                          | TXIE   | USBIE                  | CCP1IE                    | TMR2IE | TMR1IE | 0000 0000                | 0000 0000                           |           |
| 8Dh           | PIE2                    | —  | —      | —                             | —  | —                      | —                         | —      | CCP2IE | ---- --0                 | ---- --0                            |           |
| 8Eh           | PCON                    | —  | —      | —                             | —  | —                      | —                         | POR    | BOR    | ---- --qq                | ---- --uu                           |           |
| 8Fh           | —                       | Unimplemented  |        |                               |  |                        |                           |        |        | —                        | —                                   |           |
| 90h           | —                       | Unimplemented  |        |                               |  |                        |                           |        |        | —                        | —                                   |           |
| 91h           | —                       | Unimplemented  |        |                               |  |                        |                           |        |        | —                        | —                                   |           |
| 92h           | PR2                     | Timer2 Period Register   |        |                               |  |                        |                           |        |        | 1111 1111                | 1111 1111                           |           |
| 93h           | —                       | Unimplemented  |        |                               |  |                        |                           |        |        | —                        | —                                   |           |
| 94h           | —                       | Unimplemented  |        |                               |  |                        |                           |        |        | —                        | —                                   |           |
| 95h           | —                       | Unimplemented  |        |                               |  |                        |                           |        |        | —                        | —                                   |           |
| 96h           | —                       | Unimplemented  |        |                               |  |                        |                           |        |        | —                        | —                                   |           |
| 97h           | —                       | Unimplemented  |        |                               |  |                        |                           |        |        | —                        | —                                   |           |
| 98h           | TXSTA                   | CSRC   | TX9    | TXEN                          | SYNC   | —                      | BRGH                      | TRMT   | TX9D   | 0000 -010                | 0000 -010                           |           |
| 99h           | SPBRG                   | Baud Rate Generator Register   |        |                               |  |                        |                           |        |        | 0000 0000                | 0000 0000                           |           |
| 9Ah           | —                       | Unimplemented  |        |                               |  |                        |                           |        |        | —                        | —                                   |           |
| 9Bh           | —                       | Unimplemented  |        |                               |  |                        |                           |        |        | —                        | —                                   |           |
| 9Ch           | —                       | Unimplemented  |        |                               |  |                        |                           |        |        | —                        | —                                   |           |
| 9Dh           | —                       | Unimplemented  |        |                               |  |                        |                           |        |        | —                        | —                                   |           |
| 9Eh           | —                       | Unimplemented  |        |                               |  |                        |                           |        |        | —                        | —                                   |           |
| 9Fh           | ADCON1                  | —  | —      | —                             | —  | —                      | PCFG2                     | PCFG1  | PCFG0  | ---- -000                | ---- -000                           |           |

Legend: x = unknown, u = unchanged, q = value depends on condition, - = unimplemented read as '0'.  
Shaded locations are unimplemented, read as '0'.

- Note 1:** The upper byte of the program counter is not directly accessible. PCLATH is a holding register for the PC<12:8> whose contents are transferred to the upper byte of the program counter.
- 2:** Other (non power-up) resets include external reset through  $\overline{\text{MCLR}}$  and Watchdog Timer Reset.
- 3:** These registers can be addressed from either bank.
- 4:** The Parallel Slave Port (PORTD and PORTE) is not implemented on the PIC16C745, always maintain these bits clear.

**TABLE 4-1: SPECIAL FUNCTION REGISTER SUMMARY (CONTINUED)**

| Address       | Name                    | Bit 7  | Bit 6 | Bit 5 | Bit 4  | Bit 3           | Bit 2 | Bit 1 | Bit 0 | Value on: POR, BOR | Value on all other resets (2) |
|---------------|-------------------------|--|-------|-------|--|-----------------|-------|-------|-------|--------------------|-------------------------------|
| <b>Bank 2</b> |                         |  |       |       |  |                 |       |       |       |                    |                               |
| 100h          | INDF <sup>(3)</sup>     | Addressing this location uses contents of FSR to address data memory (not a physical register) |       |       |  |                 |       |       |       | 0000 0000          | 0000 0000                     |
| 101h          | TMR0                    | Timer0 module's register   |       |       |  |                 |       |       |       | xxxx xxxx          | uuuu uuuu                     |
| 102h          | PCL <sup>(3)</sup>      | Program Counter's (PC) Least Significant Byte  |       |       |  |                 |       |       |       | 0000 0000          | 0000 0000                     |
| 103h          | STATUS <sup>(3)</sup>   | IRP  | RP1   | RP0   | $\overline{TO}$  | $\overline{PD}$ | Z     | DC    | C     | 0001 1xxx          | 000q quuu                     |
| 104h          | FSR <sup>(3)</sup>      | Indirect data memory address pointer   |       |       |  |                 |       |       |       | xxxx xxxx          | uuuu uuuu                     |
| 105h          | —                       | Unimplemented  |       |       |  |                 |       |       |       | —                  | —                             |
| 106h          | PORTB                   | PORTB Data Latch when written: PORTB pins when read  |       |       |  |                 |       |       |       | xxxx xxxx          | uuuu uuuu                     |
| 107h          | —                       | Unimplemented  |       |       |  |                 |       |       |       | —                  | —                             |
| 108h          | —                       | Unimplemented  |       |       |  |                 |       |       |       | —                  | —                             |
| 109h          | —                       | Unimplemented  |       |       |  |                 |       |       |       | —                  | —                             |
| 10Ah          | PCLATH <sup>(1,3)</sup> | —  | —     | —     | Write Buffer for the upper 5 bits of the Program Counter |                 |       |       |       | ---0 0000          | ---0 0000                     |
| 10Bh          | INTCON <sup>(3)</sup>   | GIE  | PEIE  | TOIE  | INTE   | RBIE            | TOIF  | INTF  | RBIF  | 0000 000x          | 0000 000u                     |
| 10Ch-11Fh     | —                       | Unimplemented  |       |       |  |                 |       |       |       | —                  | —                             |

Legend: x = unknown, u = unchanged, q = value depends on condition, - = unimplemented read as '0'.  
 Shaded locations are unimplemented, read as '0'.

- Note 1:** The upper byte of the program counter is not directly accessible. PCLATH is a holding register for the PC<12:8> whose contents are transferred to the upper byte of the program counter.
- 2:** Other (non power-up) resets include external reset through  $\overline{MCLR}$  and Watchdog Timer Reset.
- 3:** These registers can be addressed from either bank.
- 4:** The Parallel Slave Port (PORTD and PORTE) is not implemented on the PIC16C745, always maintain these bits clear.

# PIC16C745/765

**TABLE 4-1: SPECIAL FUNCTION REGISTER SUMMARY (CONTINUED)**

| Address       | Name                    | Bit 7  | Bit 6   | Bit 5   | Bit 4  | Bit 3           | Bit 2     | Bit 1    | Bit 0    | Value on: POR, BOR | Value on all other resets (2) |
|---------------|-------------------------|--|---------|---------|--|-----------------|-----------|----------|----------|--------------------|-------------------------------|
| <b>Bank 3</b> |                         |  |         |         |  |                 |           |          |          |                    |                               |
| 180h          | INDF <sup>(3)</sup>     | Addressing this location uses contents of FSR to address data memory (not a physical register) |         |         |  |                 |           |          |          | 0000 0000          | 0000 0000                     |
| 181h          | OPTION_REG              | $\overline{RBPU}$  | INTEDG  | T0CS    | T0SE   | PSA             | PS2       | PS1      | PS0      | 1111 1111          | 1111 1111                     |
| 182h          | PCL <sup>(3)</sup>      | Program Counter's (PC) Least Significant Byte  |         |         |  |                 |           |          |          | 0000 0000          | 0000 0000                     |
| 183h          | STATUS <sup>(3)</sup>   | IRP  | RP1     | RP0     | $\overline{TO}$  | $\overline{PD}$ | Z         | DC       | C        | 0001 1xxx          | 000q quuu                     |
| 184h          | FSR <sup>(3)</sup>      | Indirect data memory address pointer   |         |         |  |                 |           |          |          | xxxx xxxx          | uuuu uuuu                     |
| 185h          | —                       | Unimplemented  |         |         |  |                 |           |          |          | —                  | —                             |
| 186h          | TRISB                   | PORTB Data Direction Register  |         |         |  |                 |           |          |          | 1111 1111          | 1111 1111                     |
| 187h          | —                       | Unimplemented  |         |         |  |                 |           |          |          | —                  | —                             |
| 188h          | —                       | Unimplemented  |         |         |  |                 |           |          |          | —                  | —                             |
| 189h          | —                       | Unimplemented  |         |         |  |                 |           |          |          | —                  | —                             |
| 18Ah          | PCLATH <sup>(1,3)</sup> | —  | —       | —       | Write Buffer for the upper 5 bits of the Program Counter |                 |           |          |          | ---0 0000          | ---0 0000                     |
| 18Bh          | INTCON <sup>(3)</sup>   | GIE  | PEIE    | T0IE    | INTE   | RBIE            | T0IF      | INTF     | RBIF     | 0000 000x          | 0000 000u                     |
| 18Ch-18Fh     | —                       | Unimplemented  |         |         |  |                 |           |          |          | —                  | —                             |
| 190h          | UIR                     | —  | —       | STALL   | UIDLE  | TOK_DNE         | ACTIVITY  | UERR     | USB_RST  | --00 0000          | --00 0000                     |
| 191h          | UIE                     | —  | —       | STALL   | UIDLE  | TOK_DNE         | ACTIVITY  | UERR     | USB_RST  | --00 0000          | --00 0000                     |
| 192h          | UEIR                    | BTS_ERR  | OWN_ERR | WRT_ERR | BTO_ERR  | DFN8            | CRC16     | CRC5     | PID_ERR  | 0000 0000          | 0000 0000                     |
| 193h          | UEIE                    | BTS_ERR  | OWN_ERR | WRT_ERR | BTO_ERR  | DFN8            | CRC16     | CRC5     | PID_ERR  | 0000 0000          | 0000 0000                     |
| 194h          | USTAT                   | —  | —       | —       | ENDP1  | ENDP0           | IN        | —        | —        | ---x xx--          | ---u uu--                     |
| 195h          | UCTRL                   | —  | —       | SEO     | PKT_DIS  | DEV_ATT         | RESUME    | SUSPND   | —        | --x0 000-          | --xq qq-                      |
| 196h          | UADDR                   | —  | ADDR6   | ADDR5   | ADDR4  | ADDR3           | ADDR2     | ADDR1    | ADDR0    | -000 0000          | -000 0000                     |
| 197h          | USWSTAT                 | SWSTAT7  | SWSTAT6 | SWSTAT5 | SWSTAT4  | SWSTAT3         | SWSTAT2   | SWSTAT1  | SWSTAT0  | 0000 0000          | 0000 0000                     |
| 198h          | UEP0                    | —  | —       | —       | —  | EP_CTL_DIS      | EP_OUT_EN | EP_IN_EN | EP_STALL | ---- 0000          | ---- 0000                     |
| 199h          | UEP1                    | —  | —       | —       | —  | EP_CTL_DIS      | EP_OUT_EN | EP_IN_EN | EP_STALL | ---- 0000          | ---- 0000                     |
| 19Ah          | UEP2                    | —  | —       | —       | —  | EP_CTL_DIS      | EP_OUT_EN | EP_IN_EN | EP_STALL | ---- 0000          | ---- 0000                     |
| 19Bh-19Fh     | Reserved                | Reserved, do not use.  |         |         |  |                 |           |          |          | 0000 0000          | 0000 0000                     |

Legend: x = unknown, u = unchanged, q = value depends on condition, - = unimplemented read as '0'.  
Shaded locations are unimplemented, read as '0'.

- Note 1:** The upper byte of the program counter is not directly accessible. PCLATH is a holding register for the PC<12:8> whose contents are transferred to the upper byte of the program counter.
- 2:** Other (non power-up) resets include external reset through  $\overline{MCLR}$  and Watchdog Timer Reset.
- 3:** These registers can be addressed from either bank.
- 4:** The Parallel Slave Port (PORTD and PORTE) is not implemented on the PIC16C745, always maintain these bits clear.

**TABLE 4-2: USB DUAL PORT RAM**

| Address   | Name   | Bit 7              | Bit 6              | Bit 5     | Bit 4     | Bit 3       | Bit 2          | Bit 1  | Bit 0  | Value on: POR, BOR | Value on all other resets (2) |
|-----------|--------|--------------------|--------------------|-----------|-----------|-------------|----------------|--------|--------|--------------------|-------------------------------|
| 1A0h      | BD0OST | UOWN<br>UOWN       | DATA0/1<br>DATA0/1 | PID3<br>— | PID2<br>— | PID1<br>DTS | PID0<br>BSTALL | —<br>— | —<br>— | xxxx xxxx          | uuuu uuuu                     |
| 1A1h      | BD0OBC | —                  | —                  | —         | —         | Byte Count  |                |        |        | xxxx xxxx          | uuuu uuuu                     |
| 1A2h      | BD0OAL | Buffer Address Low |                    |           |           |             |                |        |        | xxxx xxxx          | uuuu uuuu                     |
| 1A3h      | —      | Reserved           |                    |           |           |             |                |        |        | —                  | —                             |
| 1A4h      | BD0IST | UOWN<br>UOWN       | DATA0/1<br>DATA0/1 | PID3<br>— | PID2<br>— | PID1<br>DTS | PID0<br>BSTALL | —<br>— | —<br>— | xxxx xxxx          | uuuu uuuu                     |
| 1A5h      | BD0IBC | —                  | —                  | —         | —         | Byte Count  |                |        |        | xxxx xxxx          | uuuu uuuu                     |
| 1A6h      | BD0IAL | Buffer Address Low |                    |           |           |             |                |        |        | xxxx xxxx          | uuuu uuuu                     |
| 1A7h      | —      | Reserved           |                    |           |           |             |                |        |        | —                  | —                             |
| 1A8h      | BD1OST | UOWN<br>UOWN       | DATA0/1<br>DATA0/1 | PID3<br>— | PID2<br>— | PID1<br>DTS | PID0<br>BSTALL | —<br>— | —<br>— | xxxx xxxx          | uuuu uuuu                     |
| 1A9h      | BD1OBC | —                  | —                  | —         | —         | Byte Count  |                |        |        | xxxx xxxx          | uuuu uuuu                     |
| 1AAh      | BD1OAL | Buffer Address Low |                    |           |           |             |                |        |        | xxxx xxxx          | uuuu uuuu                     |
| 1ABh      | —      | Reserved           |                    |           |           |             |                |        |        | —                  | —                             |
| 1ACh      | BD1IST | UOWN<br>UOWN       | DATA0/1<br>DATA0/1 | PID3<br>— | PID2<br>— | PID1<br>DTS | PID0<br>BSTALL | —<br>— | —<br>— | xxxx xxxx          | uuuu uuuu                     |
| 1ADh      | BD1IBC | —                  | —                  | —         | —         | Byte Count  |                |        |        | xxxx xxxx          | uuuu uuuu                     |
| 1AEh      | BD1IAL | Buffer Address Low |                    |           |           |             |                |        |        | xxxx xxxx          | uuuu uuuu                     |
| 1AFh      | —      | Reserved           |                    |           |           |             |                |        |        | —                  | —                             |
| 1B0h      | BD2OST | UOWN<br>UOWN       | DATA0/1<br>DATA0/1 | PID3<br>— | PID2<br>— | PID1<br>DTS | PID0<br>BSTALL | —<br>— | —<br>— | xxxx xxxx          | uuuu uuuu                     |
| 1B1h      | BD2OBC | —                  | —                  | —         | —         | Byte Count  |                |        |        | xxxx xxxx          | uuuu uuuu                     |
| 1B2h      | BD2OAL | Buffer Address Low |                    |           |           |             |                |        |        | xxxx xxxx          | uuuu uuuu                     |
| 1B3h      | —      | Reserved           |                    |           |           |             |                |        |        | —                  | —                             |
| 1B4h      | BD2IST | UOWN<br>UOWN       | DATA0/1<br>DATA0/1 | PID3<br>— | PID2<br>— | PID1<br>DTS | PID0<br>BSTALL | —<br>— | —<br>— | xxxx xxxx          | uuuu uuuu                     |
| 1B5h      | BD2IBC | —                  | —                  | —         | —         | Byte Count  |                |        |        | xxxx xxxx          | uuuu uuuu                     |
| 1B6h      | BD2IAL | Buffer Address Low |                    |           |           |             |                |        |        | xxxx xxxx          | uuuu uuuu                     |
| 1B7h      | —      | Reserved           |                    |           |           |             |                |        |        | —                  | —                             |
| 1B8h-1DFh |        | 40 byte USB Buffer |                    |           |           |             |                |        |        | xxxx xxxx          | uuuu uuuu                     |

Legend: x = unknown, u = unchanged, q = value depends on condition, - = unimplemented read as '0'.  
Shaded locations are unimplemented, read as '0'.

# PIC16C745/765

## 4.2.2.1 STATUS REGISTER

The STATUS register, shown in Register 4-1, contains the arithmetic status of the ALU, the RESET status and the bank select bits for data memory.

The STATUS register can be the destination for any instruction, as with any other register. If the STATUS register is the destination for an instruction that affects the Z, DC or C bits, then the write to these three bits is disabled. These bits are set or cleared according to the device logic. Furthermore, the  $\overline{\text{TO}}$  and  $\overline{\text{PD}}$  bits are not writable. Therefore, the result of an instruction with the STATUS register as destination may be different than intended.

For example, `CLRF STATUS` will clear the upper-three bits and set the Z bit. This leaves the STATUS register as `000u u1uu` (where u = unchanged).

It is recommended that only `BCF`, `BSF`, `SWAPF` and `MOVWF` instructions be used to alter the STATUS register. These instructions do not affect the Z, C or DC bits in the STATUS register. For other instructions which do not affect status bits, see the "Instruction Set Summary."

**Note 1:** The C and DC bits operate as borrow and digit borrow bits, respectively, in subtraction. See the `SUBLW` and `SUBWF` instructions for examples.

### REGISTER 4-1: STATUS REGISTER (STATUS: 03h, 83h, 103h, 183h)

|       |       |       |                        |                        |       |       |       |      |
|-------|-------|-------|------------------------|------------------------|-------|-------|-------|------|
| R/W-0 | R/W-0 | R/W-0 | R-1                    | R-1                    | R/W-x | R/W-x | R/W-x |      |
| IRP   | RP1   | RP0   | $\overline{\text{TO}}$ | $\overline{\text{PD}}$ | Z     | DC    | C(1)  |      |
| bit7  |       |       |                        |                        |       |       |       | bit0 |

R = Readable bit  
W = Writable bit  
U = Unimplemented bit, read as '0'  
-n = Value at POR reset

- bit 7: **IRP:** Register Bank Select bit (used for indirect addressing)  
1 = Bank 2, 3 (100h - 1FFh)  
0 = Bank 0, 1 (00h - FFh)
- bit 6-5: **RP<1:0>:** Register Bank Select bits (used for direct addressing)  
00 = Bank 0 (00h - 7Fh)  
01 = Bank 1 (80h - FFh)  
10 = Bank 2 (100h - 17Fh)  
11 = Bank 3 (180h - 1FFh)
- bit 4:  **$\overline{\text{TO}}$ :** Time-out bit  
1 = After power-up, `CLRWDT` instruction, or `SLEEP` instruction  
0 = A WDT time-out occurred
- bit 3:  **$\overline{\text{PD}}$ :** Power-down bit  
1 = After power-up or by the `CLRWDT` instruction  
0 = By execution of the `SLEEP` instruction
- bit 2: **Z:** Zero bit  
1 = The result of an arithmetic or logic operation is zero  
0 = The result of an arithmetic or logic operation is not zero
- bit 1: **DC:** Digit carry/borrow bit (`ADDWF`, `ADDLW`, `SUBLW`, `SUBWF` instructions)<sup>(1)</sup>  
1 = A carry-out from the 4th low order bit of the result occurred  
0 = No carry-out from the 4th low order bit of the result
- bit 0: **C:** Carry/borrow bit (`ADDWF`, `ADDLW`, `SUBLW`, `SUBWF` instructions)<sup>(1)</sup>  
1 = A carry-out from the most significant bit of the result occurred  
0 = No carry-out from the most significant bit of the result occurred

**Note 1:** For  $\overline{\text{borrow}}$  the polarity is reversed. A subtraction is executed by adding the two's complement of the second operand. For rotate (`RRF`, `RLF`) instructions, this bit is loaded with either the high or low order bit of the source register.

## 4.2.2.2 OPTION REGISTER

The OPTION\_REG register is a readable and writable register, which contains various control bits to configure the TMR0/WDT prescaler, the external INT Interrupt, TMR0 and the weak pull-ups on PORTB.

**Note:** To achieve a 1:1 prescaler assignment for the TMR0 register, assign the prescaler to the watchdog timer.

### REGISTER 4-2: OPTION REGISTER (OPTION\_REG: 81h, 181h)

|            |          |          |          |          |          |          |          |
|------------|----------|----------|----------|----------|----------|----------|----------|
| R/W-1      | R/W-1    | R/W-1    | R/W-1    | R/W-1    | R/W-1    | R/W-1    | R/W-1    |
| <b>RBP</b> | <b>U</b> | <b>T</b> | <b>T</b> | <b>P</b> | <b>P</b> | <b>P</b> | <b>P</b> |
| bit7       |          |          |          |          |          |          | bit0     |

R = Readable bit  
 W = Writable bit  
 U = Unimplemented bit, read as '0'  
 -n = Value at POR reset

bit 7: **RBP**: PORTB Pull-up Enable bit  
 1 = PORTB pull-ups are disabled  
 0 = PORTB pull-ups are enabled by individual port latch values

bit 6: **INTEDG**: Interrupt Edge Select bit  
 1 = Interrupt on rising edge of RB0/INT pin  
 0 = Interrupt on falling edge of RB0/INT pin

bit 5: **T0CS**: TMR0 Clock Source Select bit  
 1 = Transition on RA4/T0CKI pin  
 0 = Internal instruction cycle clock (CLKOUT)

bit 4: **T0SE**: TMR0 Source Edge Select bit  
 1 = Increment on high-to-low transition on RA4/T0CKI pin  
 0 = Increment on low-to-high transition on RA4/T0CKI pin

bit 3: **PSA**: Prescaler Assignment bit  
 1 = Prescaler is assigned to the WDT  
 0 = Prescaler is assigned to the Timer0 module

bit 2-0: **PS<2:0>**: Prescaler Rate Select bits

| Bit Value | TMR0 Rate | WDT Rate |
|-----------|-----------|----------|
| 000       | 1 : 2     | 1 : 1    |
| 001       | 1 : 4     | 1 : 2    |
| 010       | 1 : 8     | 1 : 4    |
| 011       | 1 : 16    | 1 : 8    |
| 100       | 1 : 32    | 1 : 16   |
| 101       | 1 : 64    | 1 : 32   |
| 110       | 1 : 128   | 1 : 64   |
| 111       | 1 : 256   | 1 : 128  |

# PIC16C745/765

## 4.2.2.3 INTCON REGISTER

The INTCON register is a readable and writable register, which contains various enable and flag bits for the TMR0 register overflow, RB Port change and external RB0/INT pin interrupts.

**Note:** Interrupt flag bits are set when an interrupt condition occurs, regardless of the state of its corresponding enable bit or the global enable bit, GIE (INTCON<7>). User software should ensure the appropriate interrupt flag bits are clear prior to enabling an interrupt.

### REGISTER 4-3: INTERRUPT CONTROL REGISTER (INTCON: 10Bh, 18Bh)

|   | R/W-0   | R/W-0 | R/W-0 | R/W-0 | R/W-0 | R/W-0 | R/W-x |
|---|---|-------|-------|-------|-------|-------|-------|
|   | GIE   | PEIE  | TOIE  | INTE  | RBIE  | TOIF  | RBIF  |
| bit7  |   |       |       |       |       |       | bit0  |
| <div style="float: right; border: 1px solid black; padding: 5px; margin-top: 10px;">                     R = Readable bit<br/>                     W = Writable bit<br/>                     U = Unimplemented bit, read as '0'<br/>                     -n = Value at POR reset                 </div> |   |       |       |       |       |       |       |
| bit 7:  | <b>GIE:</b> Global Interrupt Enable bit<br>1 = Enables all un-masked interrupts<br>0 = Disables all interrupts  |       |       |       |       |       |       |
| bit 6:  | <b>PEIE:</b> Peripheral Interrupt Enable bit<br>1 = Enables all un-masked peripheral interrupts<br>0 = Disables all peripheral interrupts   |       |       |       |       |       |       |
| bit 5:  | <b>TOIE:</b> TMR0 Overflow Interrupt Enable bit<br>1 = Enables the TMR0 interrupt<br>0 = Disables the TMR0 interrupt  |       |       |       |       |       |       |
| bit 4:  | <b>INTE:</b> RB0/INT External Interrupt Enable bit<br>1 = Enables the RB0/INT external interrupt<br>0 = Disables the RB0/INT external interrupt                                       |       |       |       |       |       |       |
| bit 3:  | <b>RBIE:</b> RB Port Change Interrupt Enable bit<br>1 = Enables the RB port change interrupt<br>0 = Disables the RB port change interrupt   |       |       |       |       |       |       |
| bit 2:  | <b>TOIF:</b> TMR0 Overflow Interrupt Flag bit<br>1 = TMR0 register has overflowed (must be cleared in software)<br>0 = TMR0 register did not overflow                                 |       |       |       |       |       |       |
| bit 1:  | <b>INTF:</b> RB0/INT External Interrupt Flag bit<br>1 = The RB0/INT external interrupt occurred (must be cleared in software)<br>0 = The RB0/INT external interrupt did not occur     |       |       |       |       |       |       |
| bit 0:  | <b>RBIF:</b> RB Port Change Interrupt Flag bit<br>1 = At least one of the RB<7:4> pins changed state (must be cleared in software)<br>0 = None of the RB<7:4> pins have changed state |       |       |       |       |       |       |



## 4.2.2.4 PIE1 REGISTER

**Note:** Bit PEIE (INTCON<6>) must be set to enable any peripheral interrupt.

This register contains the individual enable bits for the peripheral interrupts.

### REGISTER 4-4: PERIPHERAL INTERRUPT ENABLE1 REGISTER (PIE1: 8Ch)

| R/W-0                | R/W-0 | R/W-0 | R/W-0 | R/W-0 | R/W-0  | R/W-0  | R/W-0  |
|----------------------|-------|-------|-------|-------|--------|--------|--------|
| PSPIE <sup>(1)</sup> | ADIE  | RCIE  | TXIE  | USBIE | CCP1IE | TMR2IE | TMR1IE |
| bit7                 |       |       |       |       |        |        | bit0   |

R = Readable bit  
W = Writable bit  
U = Unimplemented bit, read as '0'  
-n = Value at POR reset

bit 7: **PSPIE<sup>(1)</sup>**: Parallel Slave Port Read/Write Interrupt Enable bit  
1 = Enables the PSP read/write interrupt  
0 = Disables the PSP read/write interrupt

bit 6: **ADIE**: A/D Converter Interrupt Enable bit  
1 = Enables the A/D interrupt  
0 = Disables the A/D interrupt

bit 5: **RCIE**: USART Receive Interrupt Enable bit  
1 = Enables the USART receive interrupt  
0 = Disables the USART receive interrupt

bit 4: **TXIE**: USART Transmit Interrupt Enable bit  
1 = Enables the USART transmit interrupt  
0 = Disables the USART transmit interrupt

bit 3: **USBIE**: Universal Serial Bus Interrupt Enable bit  
1 = Enables the USB interrupt  
0 = Disables the USB interrupt

bit 2: **CCP1IE**: CCP1 Interrupt Enable bit  
1 = Enables the CCP1 interrupt  
0 = Disables the CCP1 interrupt

bit 1: **TMR2IE**: TMR2 to PR2 Match Interrupt Enable bit  
1 = Enables the TMR2 to PR2 match interrupt  
0 = Disables the TMR2 to PR2 match interrupt

bit 0: **TMR1IE**: TMR1 Overflow Interrupt Enable bit  
1 = Enables the TMR1 overflow interrupt  
0 = Disables the TMR1 overflow interrupt

**Note 1:** PIC16C745 device does not have a parallel slave port implemented; always maintain this bit clear.

# PIC16C745/765

## 4.2.2.5 PIR1 REGISTER

This register contains the individual flag bits for the peripheral interrupts.

**Note:** Interrupt flag bits are set when an interrupt condition occurs, regardless of the state of its corresponding enable bit or the global enable bit, GIE (INTCON<7>). User software should ensure the appropriate interrupt flag bits are clear prior to enabling an interrupt.

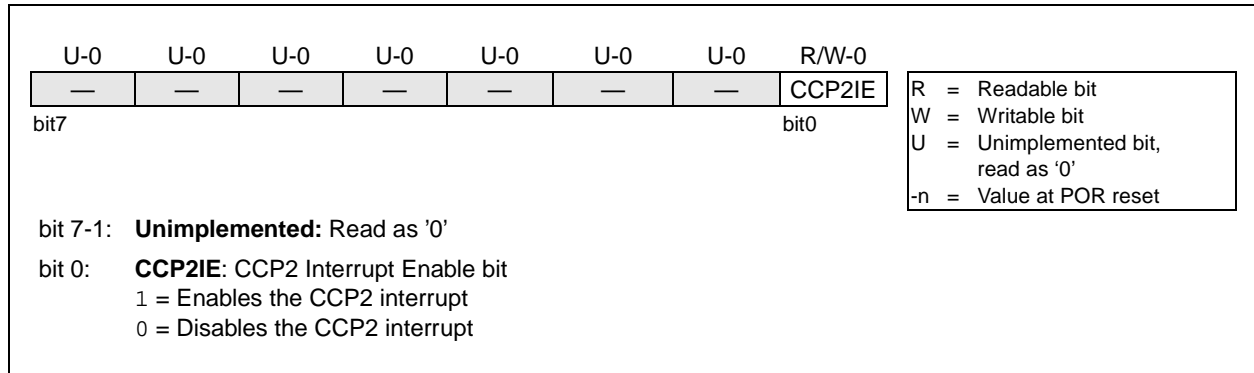
### REGISTER 4-5: PERIPHERAL INTERRUPT REGISTER1 (PIR1: 0Ch)

|  | R/W-0   | R/W-0 | R-0  | R-0  | R/W-0 | R/W-0  | R/W-0  | R/W-0  |
|--|---|-------|------|------|-------|--------|--------|--------|
|  | PSPIF <sup>(1)</sup>  | ADIF  | RCIF | TXIF | USBIF | CCP1IF | TMR2IF | TMR1IF |
| bit7   |   |       |      |      |       |        |        | bit0   |
|  | R = Readable bit<br>W = Writable bit<br>U = Unimplemented bit, read as '0'<br>-n = Value at POR reset   |       |      |      |       |        |        |        |
| bit 7:   | <b>PSPIF<sup>(1)</sup>:</b> Parallel Slave Port Read/Write Interrupt Flag bit<br>1 = A read or a write operation has taken place (must be cleared in software)<br>0 = No read or write has occurred   |       |      |      |       |        |        |        |
| bit 6:   | <b>ADIF:</b> A/D Converter Interrupt Flag bit<br>1 = An A/D conversion completed (must be cleared in software)<br>0 = The A/D conversion is not complete  |       |      |      |       |        |        |        |
| bit 5:   | <b>RCIF:</b> USART Receive Interrupt Flag bit<br>1 = The USART receive buffer is full (clear by reading RCREG)<br>0 = The USART receive buffer is empty   |       |      |      |       |        |        |        |
| bit 4:   | <b>TXIF:</b> USART Transmit Interrupt Flag bit<br>1 = The USART transmit buffer is empty (clear by writing to TXREG)<br>0 = The USART transmit buffer is full   |       |      |      |       |        |        |        |
| bit 3:   | <b>USBIF:</b> Universal Serial Bus (USB) Interrupt Flag<br>1 = A USB interrupt condition has occurred. The specific cause can be found by examining the contents of the UIR and UIE registers.<br>0 = No USB interrupt conditions that are enabled have occurred.   |       |      |      |       |        |        |        |
| bit 2:   | <b>CCP1IF:</b> CCP1 Interrupt Flag bit<br>Capture Mode<br>1 = A TMR1 register capture occurred (must be cleared in software)<br>0 = No TMR1 register capture occurred<br>Compare Mode<br>1 = A TMR1 register compare match occurred (must be cleared in software)<br>0 = No TMR1 register compare match occurred<br>PWM Mode<br>Unused in this mode |       |      |      |       |        |        |        |
| bit 1:   | <b>TMR2IF:</b> TMR2 to PR2 Match Interrupt Flag bit<br>1 = TMR2 to PR2 match occurred (must be cleared in software)<br>0 = No TMR2 to PR2 match occurred  |       |      |      |       |        |        |        |
| bit 0:   | <b>TMR1IF:</b> TMR1 Overflow Interrupt Flag bit<br>1 = TMR1 register overflowed (must be cleared in software)<br>0 = TMR1 register did not overflow   |       |      |      |       |        |        |        |
| <b>Note 1:</b> PIC16C745 device does not have a parallel slave port implemented. This bit location is reserved on this device. Always maintain this bit clear. |   |       |      |      |       |        |        |        |

## 4.2.2.6 PIE2 REGISTER

This register contains the individual enable bit for the CCP2 peripheral interrupt.

### REGISTER 4-6: PERIPHERAL INTERRUPT ENABLE 2 REGISTER (PIE2: 8Dh)

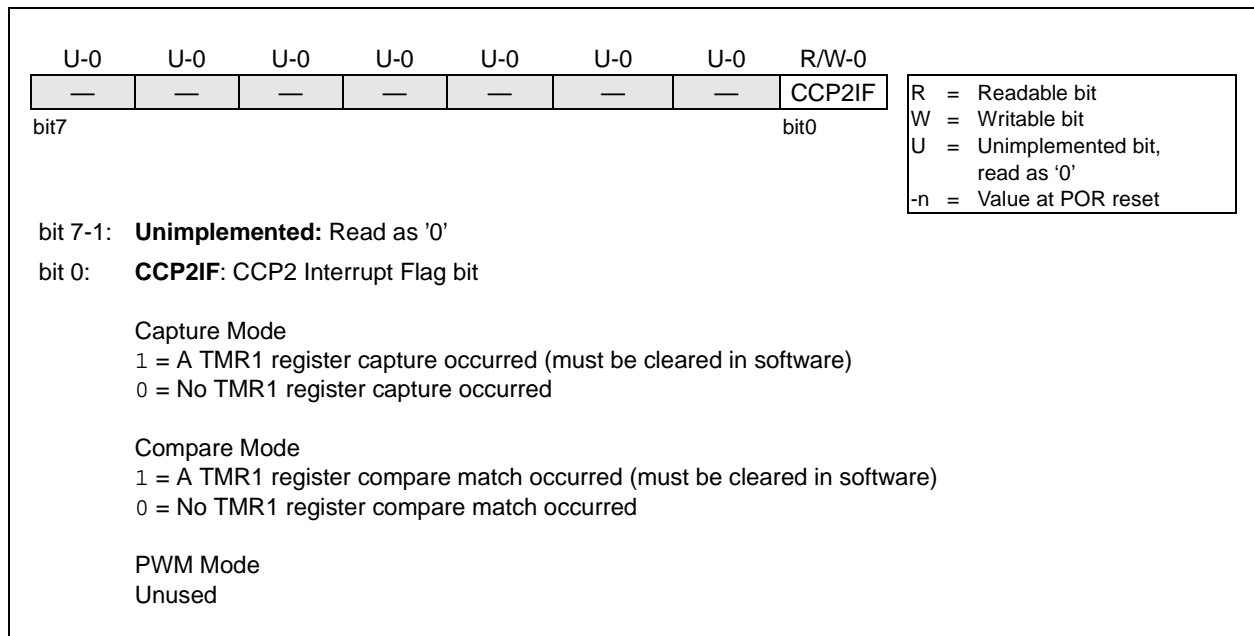


## 4.2.2.7 PIR2 REGISTER

This register contains the CCP2 interrupt flag bit.

**Note:** Interrupt flag bits are set when an interrupt condition occurs, regardless of the state of its corresponding enable bit or the global enable bit, GIE (INTCON<7>). User software should ensure the appropriate interrupt flag bits are clear prior to enabling an interrupt.

### REGISTER 4-7: PERIPHERAL INTERRUPT REGISTER 2 (PIR2: 0Dh)



# PIC16C745/765

## 4.2.2.8 PCON REGISTER

The Power Control (PCON) register contains flag bits to allow differentiation between a Power-on Reset (POR), a Brown-out Reset ( $\overline{\text{BOR}}$ ), a Watch-dog Reset (WDT) and an external  $\overline{\text{MCLR}}$  Reset.

**Note:**  $\overline{\text{BOR}}$  is unknown on POR. It must be set by the user and checked on subsequent resets to see if  $\overline{\text{BOR}}$  is clear, indicating a brown-out has occurred. The  $\overline{\text{BOR}}$  status bit is a “don't care” and is not predictable if the brown-out circuit is disabled (by clearing the BODEN bit in the configuration word).

### REGISTER 4-8: POWER CONTROL REGISTER REGISTER (PCON: 8Eh)

| U-0 | U-0 | U-0 | U-0 | U-0 | U-0 | R/W-0 | R/W-q                   |
|-----|-----|-----|-----|-----|-----|-------|-------------------------|
| —   | —   | —   | —   | —   | —   | POR   | $\overline{\text{BOR}}$ |

bit7 bit0

R = Readable bit  
W = Writable bit  
U = Unimplemented bit, read as '0'  
-n = Value at POR reset

bit 7-2: **Unimplemented:** Read as '0'

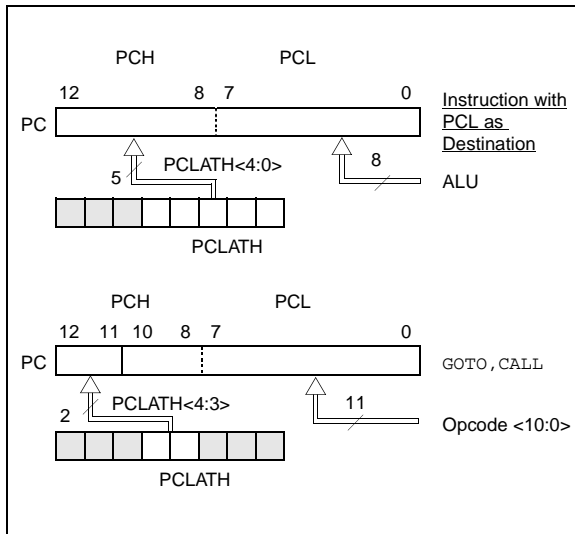
bit 1: **POR:** Power-on Reset Status bit  
1 = No power-on reset occurred  
0 = A power-on reset occurred (must be set in software after a power-on reset occurs)

bit 0:  **$\overline{\text{BOR}}$ :** Brown-out Reset Status bit  
1 = No brown-out reset occurred  
0 = A brown-out reset occurred (must be set in software after a brown-out reset occurs)

## 4.3 PCL and PCLATH

The program counter (PC) is 13-bits wide. The low byte comes from the PCL register, which is a readable and writable register. The upper bits (PC<12:8>) are not readable, but are indirectly writable through the PCLATH register. On any reset, the upper bits of the PC will be cleared. Figure 4-3 shows the two situations for the loading of the PC. The upper example in the figure shows how the PC is loaded on a write to PCL (PCLATH<4:0> → PCH). The lower example in the figure shows how the PC is loaded during a CALL or GOTO instruction (PCLATH<4:3> → PCH).

**FIGURE 4-3: LOADING OF PC IN DIFFERENT SITUATIONS**



### 4.3.1 COMPUTED GOTO

A computed GOTO is accomplished by adding an offset to the program counter (ADDWF PCL). When doing a table read using a computed GOTO method, care should be exercised if the table location crosses a PCL memory boundary (each 256 byte block). Refer to the application note "Implementing a Table Read" (AN556).

### 4.3.2 STACK

The PIC16CXX family has an 8-level deep x 13-bit wide hardware stack. The stack space is not part of either program or data space and the stack pointer is not readable or writable. The PC is PUSHed onto the stack when a CALL instruction is executed or an interrupt causes a branch. The stack is POPed in the event of a RETURN, RETLW or a RETFIE instruction execution. PCLATH is not affected by a PUSH or POP operation.

The stack operates as a circular buffer. This means that after the stack has been PUSHed eight times, the ninth push overwrites the value that was stored from the first push. The tenth push overwrites the second push (and so on).

**Note 1:** There are no status bits to indicate stack overflow or stack underflow conditions.

**2:** There are no instructions/mnemonics called PUSH or POP. These are actions that occur from the execution of the CALL, RETURN, RETLW, and RETFIE instructions, or the vectoring to an interrupt address.

## 4.4 Program Memory Paging

PIC16CXX devices are capable of addressing a continuous 8K word block of program memory. The CALL and GOTO instructions provide only 11 bits of address to allow branching within any 2K program memory page. When doing a CALL or GOTO instruction, the upper 2 bits of the address are provided by PCLATH<4:3>. When doing a CALL or GOTO instruction, the user must ensure that the page select bits are programmed so that the desired program memory page is addressed. If a return from a CALL instruction (or interrupt) is executed, the entire 13-bit PC is pushed onto the stack. Therefore, manipulation of the PCLATH<4:3> bits is not required for the return instructions (which POPs the address from the stack).

Example 4-1 shows the calling of a subroutine in page 1 of the program memory. This example assumes that PCLATH is saved and restored by the interrupt service routine (if interrupts are used).

### EXAMPLE 4-1: CALL OF A SUBROUTINE IN PAGE 1 FROM PAGE 0

```

ORG 0x500
BSF PCLATH,3 ;Select page 1 (800h-FFFh)
CALL SUB1_P1 ;Call subroutine in
:           ;page 1 (800h-FFFh)
:
ORG 0x900 ;page 1 (800h-FFFh)
SUB1_P1
:           ;called subroutine
:           ;page 1 (800h-FFFh)
:
RETURN ;return to Call subroutine
:           ;in page 0 (000h-7FFh)
    
```

# PIC16C745/765

## 4.5 Indirect Addressing, INDF and FSR Registers

The INDF register is not a physical register. Addressing the INDF register will cause indirect addressing.

Indirect addressing is possible by using the INDF register. Any instruction using the INDF register actually accesses the register pointed to by the File Select Register, FSR. Reading the INDF register itself indirectly (FSR = '0') will read 00h. Writing to the INDF register indirectly results in a no-operation (although status bits may be affected). An effective 9-bit address is obtained by concatenating the 8-bit FSR register and the IRP bit (STATUS<7>), as shown in Figure 4-4.

A simple program to clear RAM locations 20h-2Fh using indirect addressing is shown in Example 4-2.

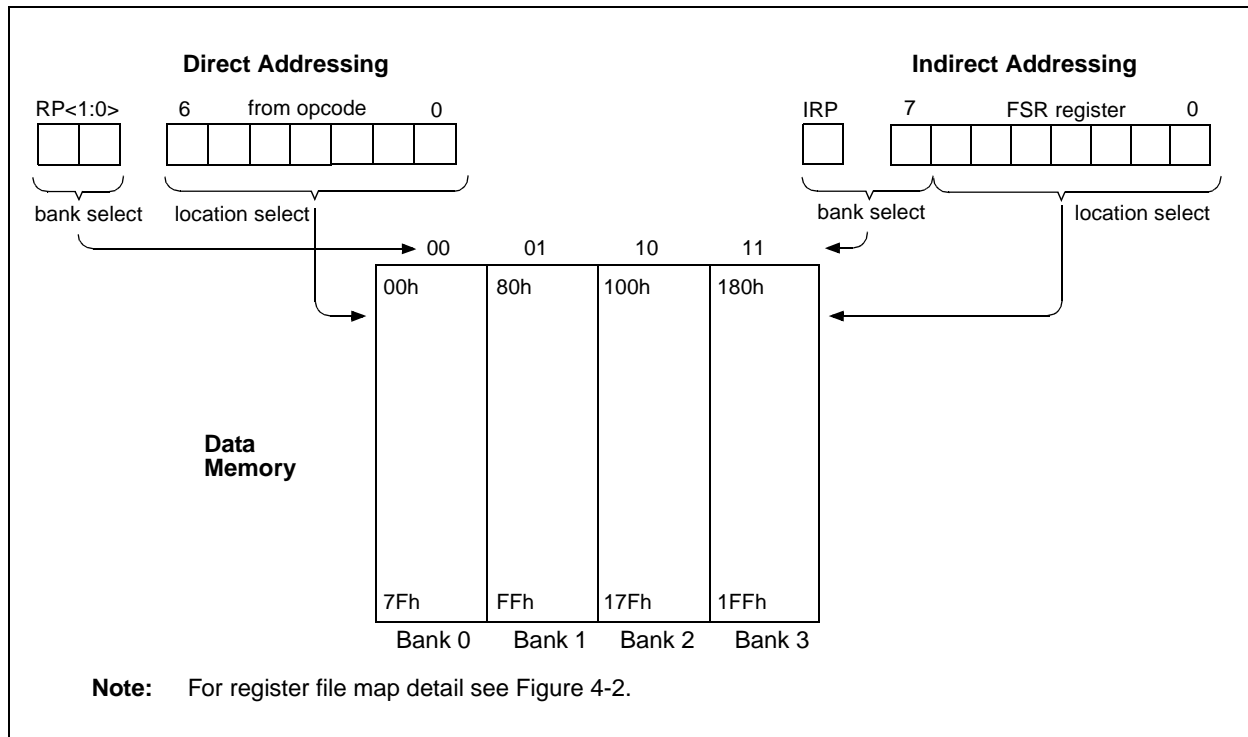
### EXAMPLE 4-2: INDIRECT ADDRESSING

```

movlw 0x20 ;initialize pointer
movwf FSR ;to RAM
NEXT   clrf INDF ;clear INDF register
       incf FSR,F ;inc pointer
       btfss FSR,4 ;all done?
       goto NEXT ;no clear next

CONTINUE : ;yes continue
    
```

FIGURE 4-4: DIRECT/INDIRECT ADDRESSING



## 5.0 I/O PORTS

Some pins for these I/O ports are multiplexed with an alternate function for the peripheral features on the device. In general, when a peripheral is enabled, that pin may not be used as a general purpose I/O pin.

### 5.1 PORTA and TRISA Registers

PORTA is a 6-bit latch.

The RA4/T0CKI pin is a Schmitt Trigger input and an open drain output. All other RA port pins have TTL input levels and full CMOS output drivers. All pins have data direction bits (TRISA registers), which can configure these pins as output or input.

Setting a TRISA register bit puts the corresponding output driver in a hi-impedance mode. Clearing a bit in the TRISA register puts the contents of the output latch on the selected pin(s).

Reading the PORTA register reads the status of the pins, whereas writing to it will write to the port latch. All write operations are read-modify-write operations. Therefore, a write to a port implies that the port pins are read, the value is modified, and then written to the port data latch.

Pin RA4 is multiplexed with the Timer0 module clock input to become the RA4/T0CKI pin.

On the PIC16C745/765, PORTA pins are multiplexed with analog inputs and analog VREF input. The operation of each pin is selected by clearing/setting the control bits in the ADCON1 register (A/D Control Register1).

**Note:** On all resets, pins with analog and digital functions are configured as analog inputs.

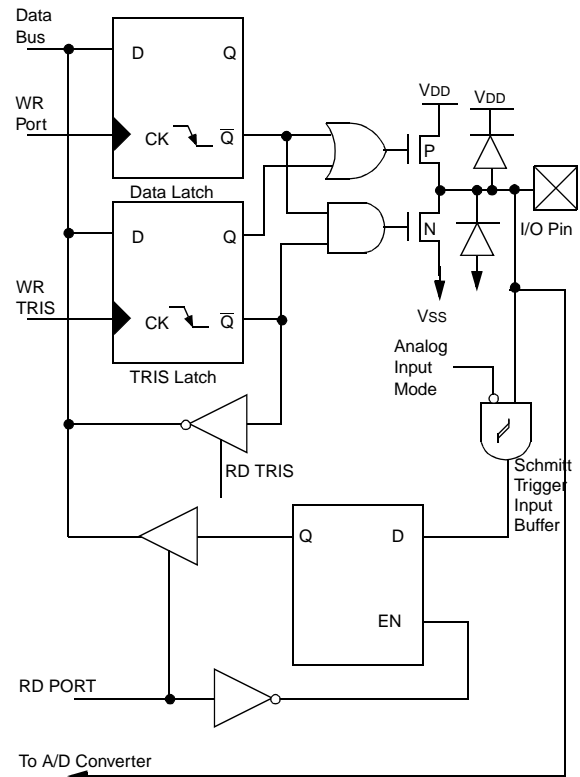
The TRISA register controls the direction of the RA pins, even when they are being used as analog inputs. The user must ensure the bits in the TRISA register are maintained set when using them as analog inputs.

#### EXAMPLE 5-1: INITIALIZING PORTA (PIC16C745/765)

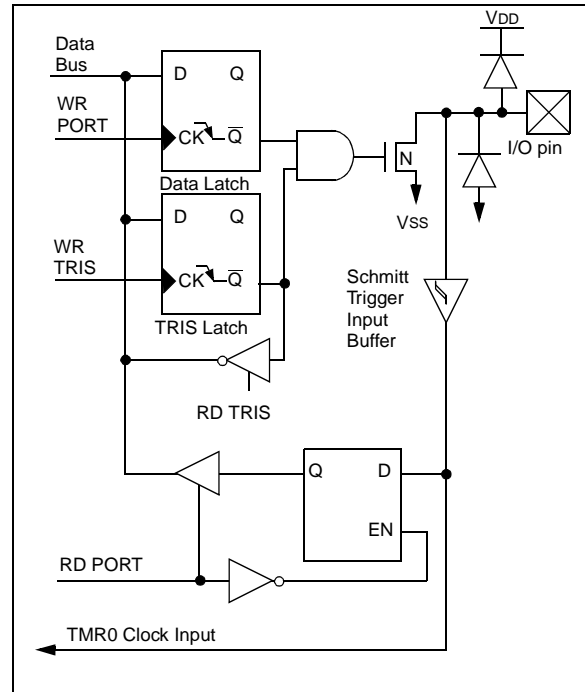
```
BCF STATUS, RP1 ;
BCF STATUS, RP0 ;
CLRF PORTA ; Initialize PORTA by
; clearing output
; data latches

BSF STATUS, RP0 ; Select Bank 1
MOVLW 0x06 ; Configure all pins
MOVWF ADCON1 ; as digital inputs
MOVLW 0xCF ; Value used to
; initialize data
; direction
MOVWF TRISA ; Set RA<3:0> as inputs
; RA<5:4> as outputs
; TRISA<7:6> are always
; read as '0'.
```

**FIGURE 5-1: BLOCK DIAGRAM OF RA<3:0> AND RA5 PINS**



**FIGURE 5-2: BLOCK DIAGRAM OF RA4/T0CKI PIN**



# PIC16C745/765

**TABLE 5-1: PORTA FUNCTIONS**

| Name         | Function | Input Type | Output Type | Description            |
|--------------|----------|------------|-------------|------------------------|
| RA0/AN0      | RA0      | ST         | CMOS        | Bi-directional I/O     |
|              | AN0      | AN         | —           | A/D Input              |
| RA1/AN1      | RA1      | ST         | CMOS        | Bi-directional I/O     |
|              | AN1      | AN         | —           | A/D Input              |
| RA2/AN2      | RA2      | ST         | CMOS        | Bi-directional I/O     |
|              | AN2      | AN         | —           | A/D Input              |
| RA3/AN3/VREF | RA3      | ST         | CMOS        | Bi-directional I/O     |
|              | AN3      | AN         | —           | A/D Input              |
|              | VREF     | AN         | —           | A/D Positive Reference |
| RA4/T0CKI    | RA4      | ST         | OD          | Bi-directional I/O     |
|              | T0CKI    | ST         | —           | Timer 0 Clock Input    |
| RA5/AN4      | RA5      | ST         | —           | Bi-directional I/O     |
|              | AN4      | AN         | —           | A/D Input              |

Legend: OD = open drain, ST = Schmitt Trigger

**TABLE 5-2: SUMMARY OF REGISTERS ASSOCIATED WITH PORTA**

| Address | Name   | Bit 7 | Bit 6 | Bit 5                         | Bit 4 | Bit 3 | Bit 2 | Bit 1 | Bit 0 | Value on:<br>POR,<br>BOR | Value on all<br>other resets |           |
|---------|--------|-------|-------|-------------------------------|-------|-------|-------|-------|-------|--------------------------|------------------------------|-----------|
| 05h     | PORTA  | —     | —     | RA5                           | RA4   | RA3   | RA2   | RA1   | RA0   | --0x 0000                | --0u 0000                    |           |
| 85h     | TRISA  | —     | —     | PORTA Data Direction Register |       |       |       |       |       |                          | --11 1111                    | --11 1111 |
| 9Fh     | ADCON1 | —     | —     | —                             | —     | —     | PCFG2 | PCFG1 | PCFG0 | ---- -000                | ---- -000                    |           |

Legend: x = unknown, u = unchanged, - = unimplemented locations read as '0'. Shaded cells are not used by PORTA.

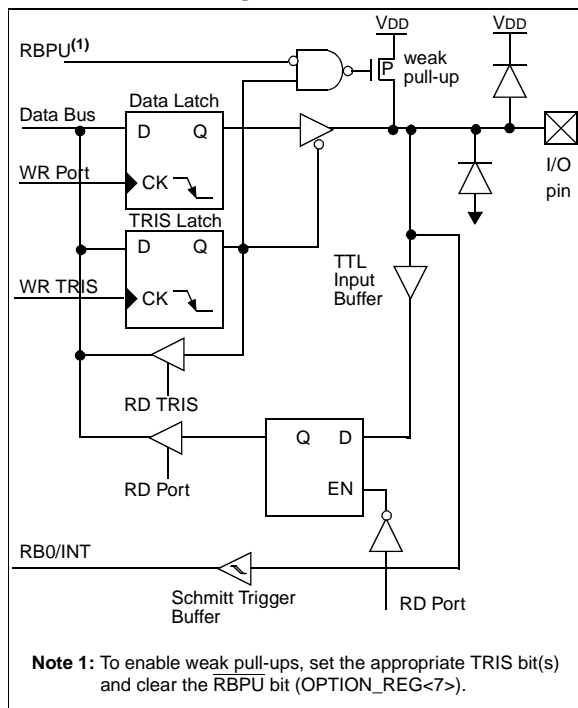


## 5.2 PORTB and TRISB Registers

PORTB is an 8-bit wide bi-directional port. The corresponding data direction register is TRISB. Setting a bit in the TRISB register puts the corresponding output driver in a hi-impedance input mode. Clearing a bit in the TRISB register puts the contents of the output latch on the selected pin(s).

Each of the PORTB pins has a weak internal pull-up. A single control bit can turn on all the pull-ups. This is performed by clearing bit  $\overline{\text{RBP}}\text{U}$  (OPTION\_REG<7>). The weak pull-up is automatically turned off when the port pin is configured as an output. The pull-ups are disabled on a power-on reset.

**FIGURE 5-3: BLOCK DIAGRAM OF RB<3:0> PINS**



Four of PORTB's pins, RB<7:4>, have an interrupt on change feature. Only pins configured as inputs can cause this interrupt to occur (i.e. any RB<7:4> pin configured as an output is excluded from the interrupt-on-change comparison). The input pins (of RB<7:4>) are compared with the value latched on the last read of PORTB. The "mismatch" outputs of RB<7:4> are OR'ed together to generate the RB Port Change Interrupt with flag bit RBIF (INTCON<0>).

This interrupt can wake the device from SLEEP. The user, in the interrupt service routine, can clear the interrupt in the following manner:

- Any read or write of PORTB. This will end the mismatch condition.
- Clear flag bit RBIF.

A mismatch condition will continue to set flag bit RBIF. Reading PORTB will end the mismatch condition, and allow flag bit RBIF to be cleared.

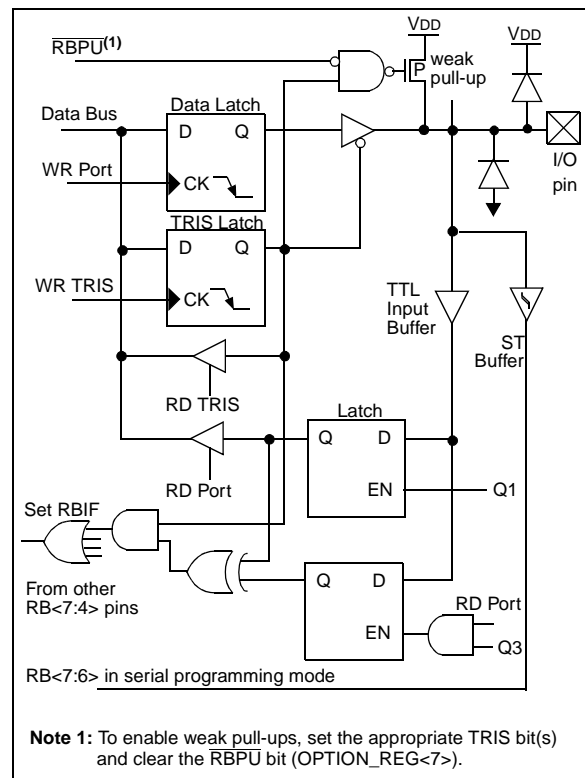
This interrupt-on-mismatch feature, together with software configurable pull-ups on these four pins, allow easy interface to a keypad and make it possible for wake-up on key-depression. Refer to the Embedded Control Handbook, "Implementing Wake-Up on Key Stroke" (AN552).

The interrupt-on-change feature is recommended for wake-up on key depression operation and operations where PORTB is only used for the interrupt-on-change feature. Polling of PORTB is not recommended while using the interrupt-on-change feature.

RB0/INT is an external interrupt input pin and is configured using the INTEDG bit (OPTION\_REG<6>).

RB0/INT is discussed in detail in Section 13.5.1.

**FIGURE 5-4: BLOCK DIAGRAM OF RB<7:4> PINS**



# PIC16C745/765

**TABLE 5-3: PORTB FUNCTIONS**

| Name      | Function | Input Type | Output Type | Description                                 |
|-----------|----------|------------|-------------|---|
| RB0/INT   | RB0      | TTL        | CMOS        | Bi-directional I/O                          |
|           | INT      | ST         | —           | Interrupt                                   |
| RB1       | RB1      | TTL        | CMOS        | Bi-directional I/O                          |
| RB2       | RB2      | TTL        | CMOS        | Bi-directional I/O                          |
| RB3       | RB3      | TTL        | CMOS        | Bi-directional I/O                          |
| RB4       | RB4      | TTL        | CMOS        | Bi-directional I/O with Interrupt on Change |
| RB5       | RB5      | TTL        | CMOS        | Bi-directional I/O with Interrupt on Change |
| RB6/ICSPC | RB6      | TTL        | CMOS        | Bi-directional I/O with Interrupt on Change |
|           | ICSPC    | ST         |             | In-Circuit Serial Programming Clock input   |
| RB7/ICSPD | RB7      | TTL        | CMOS        | Bi-directional I/O with Interrupt on Change |
|           | ICSPD    | ST         | CMOS        | In-Circuit Serial Programming Data I/O      |

Legend: OD = open drain, ST = Schmitt Trigger

**TABLE 5-4: SUMMARY OF REGISTERS ASSOCIATED WITH PORTB**

| Address   | Name       | Bit 7                         | Bit 6  | Bit 5 | Bit 4 | Bit 3 | Bit 2 | Bit 1 | Bit 0 | Value on:<br>POR,<br>BOR | Value on all<br>other resets |
|-----------|------------|-------------------------------|--------|-------|-------|-------|-------|-------|-------|--------------------------|------------------------------|
| 06h, 106h | PORTB      | RB7                           | RB6    | RB5   | RB4   | RB3   | RB2   | RB1   | RB0   | xxxx xxxx                | uuuu uuuu                    |
| 86h, 186h | TRISB      | PORTB Data Direction Register |        |       |       |       |       |       |       | 1111 1111                | 1111 1111                    |
| 81h, 181h | OPTION_REG | RBP $\bar{U}$                 | INTEDG | T0CS  | T0SE  | PSA   | PS2   | PS1   | PS0   | 1111 1111                | 1111 1111                    |

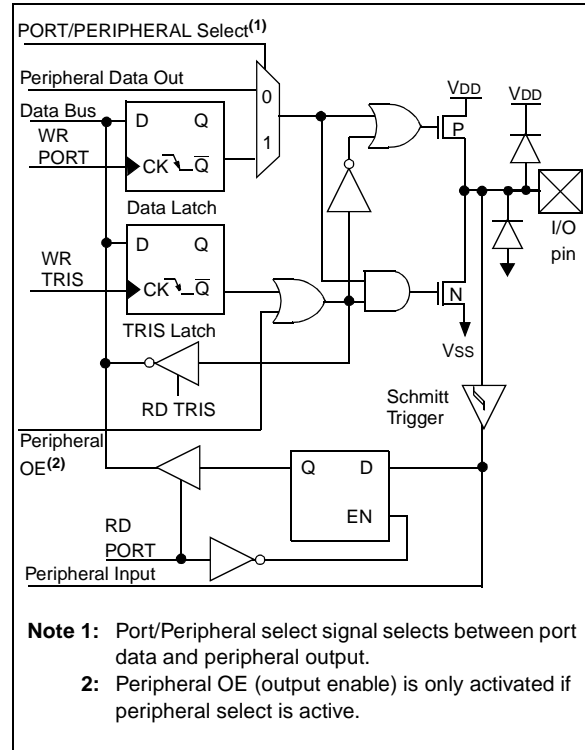
Legend: x = unknown, u = unchanged. Shaded cells are not used by PORTB.

## 5.3 PORTC and TRISC Registers

PORTC is a 5-bit bi-directional port. Each pin is individually configureable as an input or output through the TRISC register. PORTC is multiplexed with several peripheral functions (Table 5-5). PORTC pins have Schmitt Trigger input buffers.

When enabling peripheral functions, care should be taken in defining TRIS bits for each PORTC pin. Some peripherals override the TRIS bit to make a pin an output, while other peripherals override the TRIS bit to make a pin an input. Since the TRIS bit override is in effect while the peripheral is enabled, read-modify-write instructions (*BSF*, *BCF*, *XORWF*) with TRISC as destination should be avoided. The user should refer to the corresponding peripheral section for the correct TRIS bit settings.

**FIGURE 5-5: PORTC BLOCK DIAGRAM**



# PIC16C745/765

**TABLE 5-5: PORTC FUNCTIONS**

| Name            | Function | Input Type | Output Type | Description                      |
|-----------------|----------|------------|-------------|----------------------------------|
| RC0/T1OSO/T1CKI | RC0      | ST         | CMOS        | Bi-directional I/O               |
|                 | T1OSO    | —          | Xtal        | T1 Oscillator Output             |
|                 | T1CKI    | ST         | —           | T1 Clock Input                   |
| RC1/T1OSI/CCP2  | RC1      | ST         | CMOS        | Bi-directional I/O               |
|                 | T1OSI    | Xtal       | —           | T1 Oscillator Input              |
|                 | CCP2     | —          | —           | Capture In/Compare Out/PWM Out 2 |
| RC2/CCP1/VUSB   | RC2      | ST         | CMOS        | Bi-directional I/O               |
|                 | CCP1     | —          | —           | Capture In/Compare Out/PWM Out 1 |
| RC6/TX/CK       | RC6      | ST         | CMOS        | Bi-directional I/O               |
|                 | TX       | —          | CMOS        | USART Async Transmit             |
|                 | CK       | ST         | CMOS        | USART Master Out/Slave In Clock  |
| RC7/RX/DT       | RC7      | ST         | CMOS        | Bi-directional I/O               |
|                 | RX       | ST         | —           | USART Async Receive              |
|                 | DT       | ST         | CMOS        | USART Data I/O                   |

Legend: OD = open drain, ST = Schmitt Trigger

**TABLE 5-6: SUMMARY OF REGISTERS ASSOCIATED WITH PORTC**

| Address | Name  | Bit 7  | Bit 6  | Bit 5 | Bit 4 | Bit 3 | Bit 2  | Bit 1  | Bit 0  | Value on: POR, BOR | Value on all other resets |
|---------|-------|--------|--------|-------|-------|-------|--------|--------|--------|--------------------|---------------------------|
| 07h     | PORTC | RC7    | RC6    | —     | —     | —     | RC2    | RC1    | RC0    | xx-- -xxx          | uu-- -uuu                 |
| 87h     | TRISC | TRISC7 | TRISC6 | —     | —     | —     | TRISC2 | TRISC1 | TRISC0 | 11-- -111          | 11-- -111                 |

Legend: x = unknown, u = unchanged.

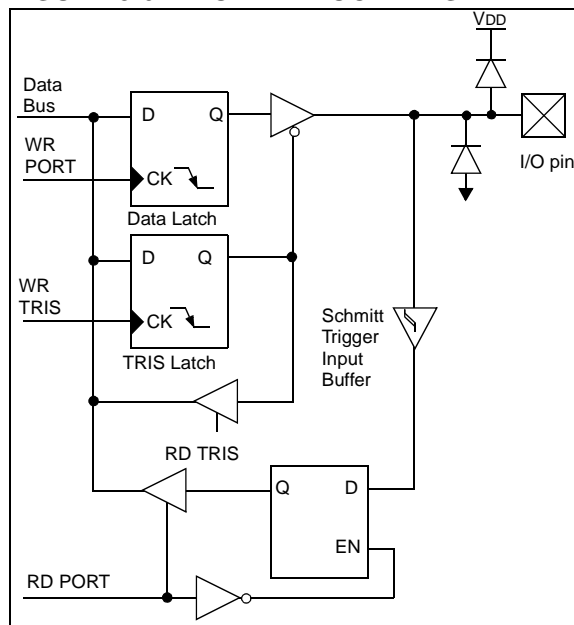
## 5.4 PORTD and TRISD Registers

**Note:** The PIC16C745 does not provide PORTD. The PORTD and TRISD registers are reserved. Always maintain these bits clear.

PORTD is an 8-bit port with Schmitt Trigger input buffers. Each pin is individually configured as an input or output.

PORTD can be configured as an 8-bit wide microprocessor port (parallel slave port) by setting control bit PSPMODE (TRISE<4>). In this mode, the input buffers are TTL.

**FIGURE 5-6: PORTD BLOCK DIAGRAM**



**TABLE 5-7: PORTD FUNCTIONS**

| Name     | Function | Input Type | Output Type | Description                                   |
|----------|----------|------------|-------------|---|
| RD0/PSP0 | RD0      | TTL        | CMOS        | Bi-directional I/O <sup>(1)</sup>             |
|          | PSP0     | TTL        | —           | Parallel Slave Port data input <sup>(1)</sup> |
| RD1/PSP1 | RD1      | TTL        | CMOS        | Bi-directional I/O <sup>(1)</sup>             |
|          | PSP1     | TTL        | —           | Parallel Slave Port data input <sup>(1)</sup> |
| RD2/PSP2 | RD2      | TTL        | CMOS        | Bi-directional I/O <sup>(1)</sup>             |
|          | PSP2     | TTL        | —           | Parallel Slave Port data input <sup>(1)</sup> |
| RD3/PSP3 | RD3      | TTL        | CMOS        | Bi-directional I/O <sup>(1)</sup>             |
|          | PSP3     | TTL        | —           | Parallel Slave Port data input <sup>(1)</sup> |
| RD4/PSP4 | RD4      | TTL        | CMOS        | Bi-directional I/O <sup>(1)</sup>             |
|          | PSP4     | TTL        | —           | Parallel Slave Port data input <sup>(1)</sup> |
| RD5/PSP5 | RD5      | TTL        | CMOS        | Bi-directional I/O <sup>(1)</sup>             |
|          | PSP5     | TTL        | —           | Parallel Slave Port data input <sup>(1)</sup> |
| RD6/PSP6 | RD6      | TTL        | CMOS        | Bi-directional I/O <sup>(1)</sup>             |
|          | PSP6     | TTL        | —           | Parallel Slave Port data input <sup>(1)</sup> |
| RD7/PSP7 | RD7      | TTL        | CMOS        | Bi-directional I/O <sup>(1)</sup>             |
|          | PSP7     | TTL        | —           | Parallel Slave Port data input <sup>(1)</sup> |

Legend: OD = open drain, ST = Schmitt Trigger

**Note 1:** PIC16C765 only.

**TABLE 5-8: SUMMARY OF REGISTERS ASSOCIATED WITH PORTD**

| Address | Name                 | Bit 7                         | Bit 6 | Bit 5 | Bit 4 | Bit 3 | Bit 2 | Bit 1 | Bit 0 | Value on: POR, BOR | Value on all other resets |
|---------|----------------------|-------------------------------|-------|-------|-------|-------|-------|-------|-------|--------------------|---------------------------|
| 08h     | PORTD <sup>(1)</sup> | RD7                           | RD6   | RD5   | RD4   | RD3   | RD2   | RD1   | RD0   | xxxx xxxx          | uuuu uuuu                 |
| 88h     | TRISD <sup>(1)</sup> | PORTD Data Direction Register |       |       |       |       |       |       |       | 1111 1111          | 1111 1111                 |

Legend: x = unknown, u = unchanged, - = unimplemented read as '0'. Shaded cells are not used by PORTD.

**Note 1:** PIC16C765 only.

# PIC16C745/765

## 5.5 PORTE and TRISE Registers

**Note 1:** The PIC16C745 does not provide PORTE. The PORTE and TRISE registers are reserved. Always maintain these bits clear.

PORTE has three pins, RE0/ $\overline{RD}$ /AN5, RE1/ $\overline{WR}$ /AN6 and RE2/ $\overline{CS}$ /AN7, which are individually configured as inputs or outputs. These pins have Schmitt Trigger input buffers.

I/O PORTE becomes control inputs for the microprocessor port when bit PSPMODE (TRISE<4>) is set. In this mode, the user must make sure that the TRISE<2:0> bits are set (pins are configured as digital inputs) and that register ADCON1 is configured for digital I/O. In this mode, the input buffers are TTL.

Register 5-1 shows the TRISE register, which also controls the parallel slave port operation.

PORTE pins may be multiplexed with analog inputs (PIC16C765 only). The operation of these pins is selected by control bits in the ADCON1 register. When selected as an analog input, these pins will read as '0's.

TRISE controls the direction of the RE pins, even when they are being used as analog inputs. The user must make sure to keep the pins configured as inputs when using them as analog inputs.

TRISE bits are used to control the parallel slave port.

**Note:** On a Power-on Reset, these pins are configured as analog inputs.

FIGURE 5-7: PORTE BLOCK DIAGRAM

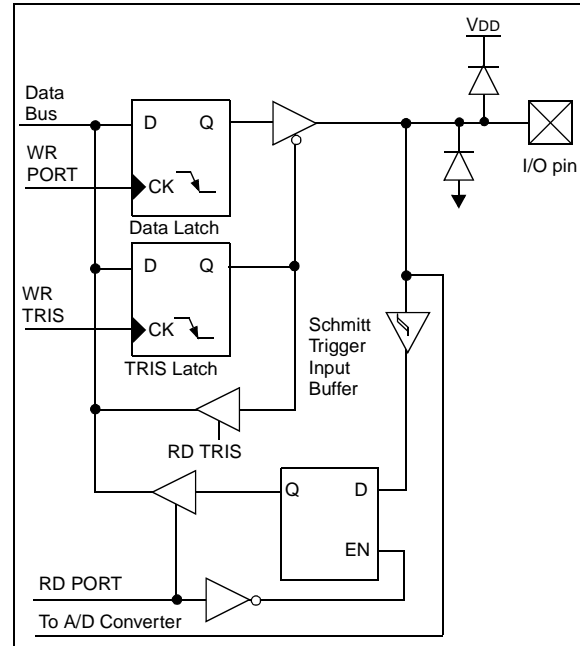


TABLE 5-9: PORTE<sup>(1)</sup> FUNCTIONS

| Name                      | Function        | Input Type | Output Type | Description                                      |
|---------------------------|-----------------|------------|-------------|--|
| RE0/ $\overline{RD}$ /AN5 | RE0             | ST         | CMOS        | Bi-directional I/O <sup>(1)</sup>                |
|                           | $\overline{RD}$ | TTL        | —           | Parallel Slave Port control input <sup>(1)</sup> |
|                           | AN5             | AN         | —           | A/D Input <sup>(1)</sup>                         |
| RE1/ $\overline{WR}$ /AN6 | RE1             | ST         | CMOS        | Bi-directional I/O <sup>(1)</sup>                |
|                           | $\overline{WR}$ | TTL        | —           | Parallel Slave Port control input <sup>(1)</sup> |
|                           | AN6             | AN         | —           | A/D Input <sup>(1)</sup>                         |
| RE2/ $\overline{CS}$ /AN7 | RE2             | ST         | CMOS        | Bi-directional I/O <sup>(1)</sup>                |
|                           | $\overline{CS}$ | TTL        | —           | Parallel Slave Port data input <sup>(1)</sup>    |
|                           | AN7             | AN         | —           | A/D Input <sup>(1)</sup>                         |

Legend: OD = open drain, ST = Schmitt Trigger

**Note 1:** PIC16C765 only.

## REGISTER 5-1: PORTE DATA DIRECTION CONTROL REGISTER<sup>(1)</sup> (TRISE: 89h)

| R-0  | R-0 | R/W-0 | R/W-0   | U-0 | R/W-1  | R/W-1  | R/W-1  |
|------|-----|-------|---------|-----|--------|--------|--------|
| IBF  | OBF | IBOV  | PSPMODE | —   | TRISE2 | TRISE1 | TRISE0 |
| bit7 |     |       |         |     |        |        | bit0   |

R = Readable bit  
W = Writable bit  
U = Unimplemented bit, read as '0'  
- n = Value at POR reset

bit 7 : **IBF**: Input Buffer Full Status bit  
1 = A word has been received and is waiting to be read by the CPU  
0 = No word has been received

bit 6 : **OBF**: Output Buffer Full Status bit  
1 = The output buffer still holds a previously written word  
0 = The output buffer has been read

bit 5 : **IBOV**: Input Buffer Overflow Detect bit (in microprocessor mode)  
1 = A write occurred when a previously input word has not been read (must be cleared in software)  
0 = No overflow occurred

bit 4 : **PSPMODE**: Parallel Slave Port Mode Select bit  
1 = Parallel slave port mode  
0 = General purpose I/O mode

bit 3 : **Unimplemented**: Read as '0'

**PORTE Data Direction Bits**

bit 2 : **TRISE2**: Direction Control bit for pin RE2/ $\overline{CS}$ /AN7  
1 = Input  
0 = Output

bit 1 : **TRISE1**: Direction Control bit for pin RE1/ $\overline{WR}$ /AN6  
1 = Input  
0 = Output

bit 0 : **TRISE0**: Direction Control bit for pin RE0/ $\overline{RD}$ /AN5  
1 = Input  
0 = Output

**Note 1:** PIC16C765 only.

**TABLE 5-10: SUMMARY OF REGISTERS ASSOCIATED WITH PORTE**

| Address | Name                 | Bit 7 | Bit 6 | Bit 5 | Bit 4   | Bit 3 | Bit 2                     | Bit 1 | Bit 0 | Value on:<br>POR,<br>BOR | Value on all<br>other resets |
|---------|----------------------|-------|-------|-------|---------|-------|---------------------------|-------|-------|--------------------------|------------------------------|
| 09h     | PORTE <sup>(1)</sup> | —     | —     | —     | —       | —     | RE2                       | RE1   | RE0   | ---- -xxx                | ---- -uuu                    |
| 89h     | TRISE <sup>(1)</sup> | IBF   | OBF   | IBOV  | PSPMODE | —     | PORTE Data Direction Bits |       |       | 0000 -111                | 0000 -111                    |
| 9Fh     | ADCON1               | —     | —     | —     | —       | —     | PCFG2                     | PCFG1 | PCFG0 | ---- -000                | ---- -000                    |

Legend: x = unknown, u = unchanged, - = unimplemented read as '0'. Shaded cells are not used by PORTE.

**Note 1:** PIC16C765 only.

## 5.6 Parallel Slave Port (PSP)

**Note:** The PIC16C745 does not provide a parallel slave port. The PORTD, PORTE, TRISD and TRISE registers are reserved. Always maintain these bits clear.

PORTD operates as an 8-bit wide Parallel Slave Port (PSP), or microprocessor port when control bit PSPMODE (TRISE<4>) is set. In slave mode, it is asynchronously readable and writable by the external world through  $\overline{RD}$  control input pin RE0/ $\overline{RD}$ /AN5 and  $\overline{WR}$  control input pin RE1/ $\overline{WR}$ /AN6.

It can directly interface to an 8-bit microprocessor data bus. The external microprocessor can read or write the PORTD latch as an 8-bit latch. Setting bit PSPMODE enables port pin RE0/ $\overline{RD}$ /AN5 to be the  $\overline{RD}$  input, RE1/ $\overline{WR}$ /AN6 to be the  $\overline{WR}$  input and RE2/ $\overline{CS}$ /AN7 to be the  $\overline{CS}$  (chip select) input. For this functionality, the corresponding data direction bits of the TRISE register (TRISE<2:0>) must be configured as inputs (set) and the A/D port configuration bits PCFG<2:0> (ADCON1<2:0>) must be set, which will configure pins RE<2:0> as digital I/O.

There are actually two 8-bit latches; one for data-out (from the PICmicro® microcontroller) and one for data input. The user writes 8-bit data to PORTD data latch and reads data from the port pin latch (note that they have the same address). In this mode, the TRISD register is ignored, since the microprocessor is controlling the direction of data flow.

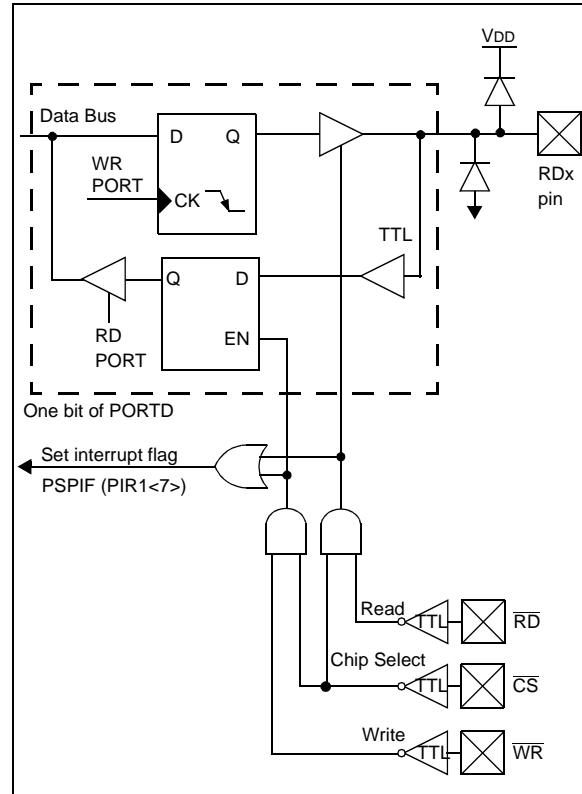
A write to the PSP occurs when both the  $\overline{CS}$  and  $\overline{WR}$  lines are first detected low. When either the  $\overline{CS}$  or  $\overline{WR}$  lines become high (level triggered), then the Input Buffer Full (IBF) status flag bit (TRISE<7>) is set on the Q4 clock cycle, following the next Q2 cycle, to signal the write is complete (Figure 5-9). The interrupt flag bit PSPIF (PIR1<7>) is also set on the same Q4 clock cycle. IBF can only be cleared by reading the PORTD input latch. The Input Buffer Overflow (IBOV) status flag bit (TRISE<5>) is set if a second write to the PSP is attempted when the previous byte has not been read out of the buffer.

A read from the PSP occurs when both the  $\overline{CS}$  and  $\overline{RD}$  lines are first detected low. The Output Buffer Full (OBF) status flag bit (TRISE<6>) is cleared immediately (Figure 5-10) indicating that the PORTD latch is waiting to be read by the external bus. When either the  $\overline{CS}$  or  $\overline{RD}$  pin becomes high (level triggered), the interrupt flag bit PSPIF is set on the Q4 clock cycle, following the next Q2 cycle, indicating that the read is complete. OBF remains low until data is written to PORTD by the user firmware.

When not in PSP mode, the IBF and OBF bits are held clear. However, if flag bit IBOV was previously set, it must be cleared in firmware.

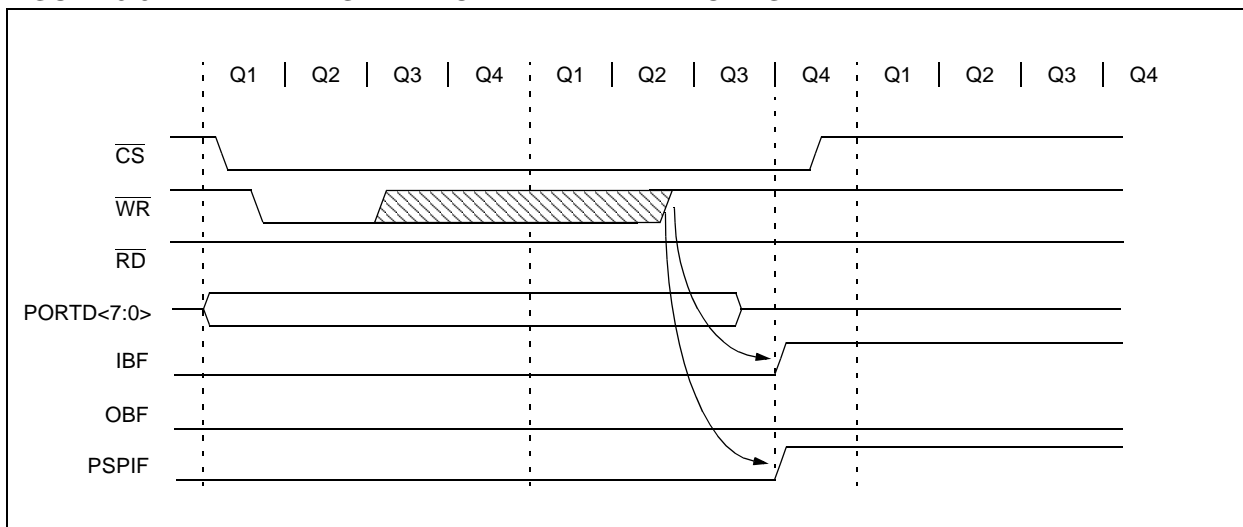
An interrupt is generated and latched into flag bit PSPIF when a read or write operation is completed. PSPIF must be cleared by the user in firmware and the interrupt can be disabled by clearing the interrupt enable bit PSPIE (PIE1<7>).

**FIGURE 5-8: PORTD AND PORTE BLOCK DIAGRAM (PARALLEL SLAVE PORT)**

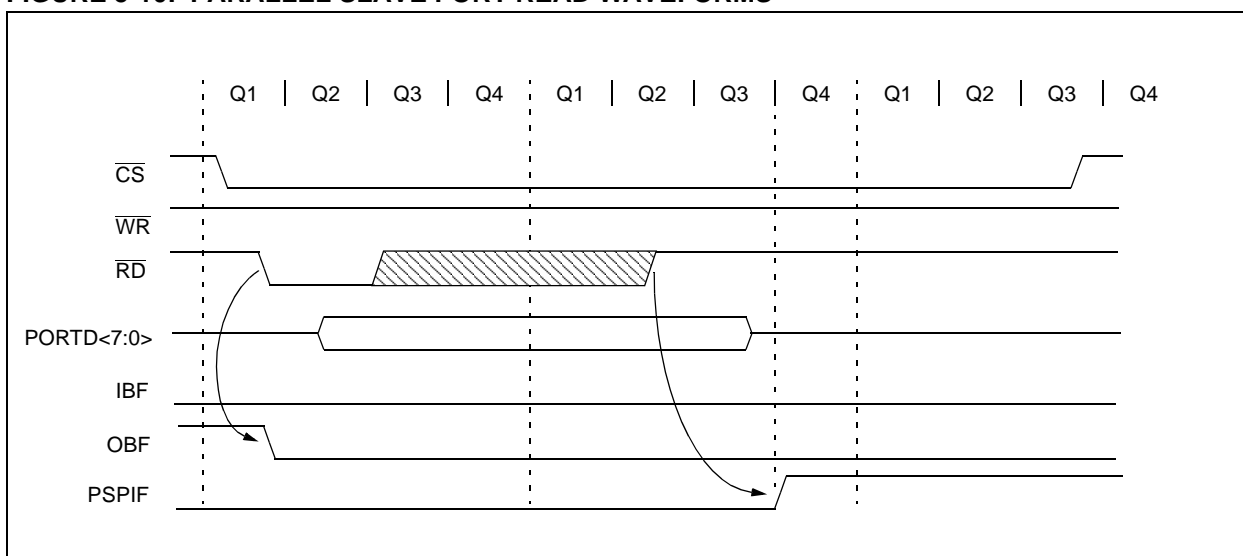




**FIGURE 5-9: PARALLEL SLAVE PORT WRITE WAVEFORMS**



**FIGURE 5-10: PARALLEL SLAVE PORT READ WAVEFORMS**



**TABLE 5-11: REGISTERS ASSOCIATED WITH PARALLEL SLAVE PORT**

| Address | Name                 | Bit 7   | Bit 6 | Bit 5 | Bit 4   | Bit 3 | Bit 2                     | Bit 1  | Bit 0  | Value on:<br>POR,<br>BOR | Value on all<br>other resets |
|---------|----------------------|---|-------|-------|---------|-------|---------------------------|--------|--------|--------------------------|------------------------------|
| 08h     | PORTD <sup>(2)</sup> | Port data latch when written: Port pins when read |       |       |         |       |                           |        |        | xxxx xxxx                | uuuu uuuu                    |
| 09h     | PORTE <sup>(2)</sup> | —   | —     | —     | —       | —     | RE2                       | RE1    | RE0    | ---- -xxx                | ---- -uuu                    |
| 89h     | TRISE <sup>(2)</sup> | IBF   | OBF   | IBOV  | PSPMODE | —     | PORTE Data Direction Bits |        |        | 0000 -111                | 0000 -111                    |
| 0Ch     | PIR1                 | PSPIF <sup>(1)</sup>                              | ADIF  | RCIF  | TXIF    | USBIF | CCP1IF                    | TMR2IF | TMR1IF | 0000 0000                | 0000 0000                    |
| 8Ch     | PIE1                 | PSPIE <sup>(1)</sup>                              | ADIE  | RCIE  | TXIE    | USBIE | CCP1IE                    | TMR2IE | TMR1IE | 0000 0000                | 0000 0000                    |
| 9Fh     | ADCON1               | —   | —     | —     | —       | —     | PCFG2                     | PCFG1  | PCFG0  | ---- -000                | ---- -000                    |
| 0Bh     | INTCON               | GIE   | PEIE  | T0IE  | INTE    | RBIE  | T0IF                      | INTF   | RBF    | 0000 000x                | 0000 000u                    |

Legend: x = unknown, u = unchanged, - = unimplemented read as '0'. Shaded cells are not used by the Parallel Slave Port.

**Note 1:** Bits PSPIE and PSPIF are reserved on the PIC16C745. Always maintain these bits clear.

**2:** PIC16C765 only.

# PIC16C745/765

---

NOTES:

## 6.0 TIMER0 MODULE

The Timer0 module timer/counter has the following features:

- 8-bit timer/counter
- Readable and writable
- 8-bit software programmable prescaler
- Internal or external clock select
- Interrupt on overflow from FFh to 00h
- Edge select for external clock

Figure 6-1 is a block diagram of the Timer0 module and the prescaler shared with the WDT.

Additional information on the Timer0 module is available in the PICmicro™ Mid-Range MCU Family Reference Manual (DS33023).

Timer mode is selected by clearing bit T0CS (OPTION\_REG<5>). In timer mode, the Timer0 module will increment every instruction cycle (without prescaler). If the TMR0 register is written, the increment is inhibited for the following two instruction cycles. The user can work around this by writing an adjusted value to the TMR0 register.

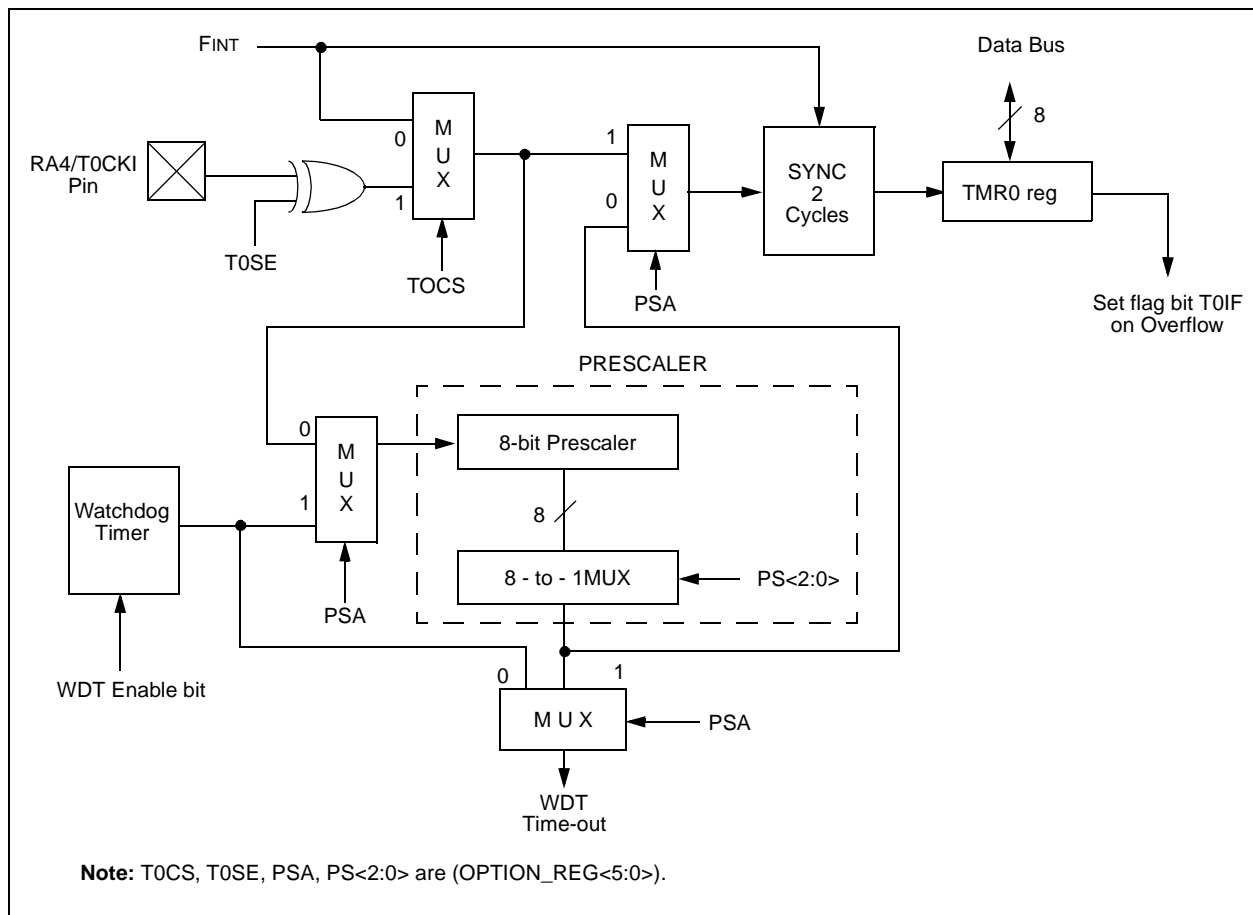
Counter mode is selected by setting bit T0CS (OPTION\_REG<5>). In counter mode, Timer0 will increment either on every rising or falling edge of pin RA4/T0CKI. The incrementing edge is determined by the Timer0 Source Edge Select bit T0SE (OPTION\_REG<4>). Clearing bit T0SE selects the rising edge. Restrictions on the external clock input are discussed in detail in Section 6.2.

The prescaler is mutually exclusively shared between the Timer0 module and the watchdog timer. The prescaler is not readable or writable. Section 6.3 details the operation of the prescaler.

### 6.1 Timer0 Interrupt

The TMR0 interrupt is generated when the TMR0 register overflows from FFh to 00h. This overflow sets bit T0IF (INTCON<2>). The interrupt can be masked by clearing bit T0IE (INTCON<5>). Bit T0IF must be cleared in software by the Timer0 module interrupt service routine before re-enabling this interrupt. The TMR0 interrupt cannot awaken the processor from SLEEP, since the timer is shut off during SLEEP.

**FIGURE 6-1: BLOCK DIAGRAM OF THE TIMER0/WDT PRESCALER**



# PIC16C745/765

## 6.2 Using Timer0 with an External Clock

When no prescaler is used, the external clock input is the same as the prescaler output. The synchronization of T0CKI with the internal phase clocks is accomplished by sampling the prescaler output on the Q2 and Q4 cycles of the internal phase clocks. Therefore, it is necessary for T0CKI to be high for at least 2Tosc (and a small RC delay of 20 ns) and low for at least 2Tosc (and a small RC delay of 20 ns). Refer to the electrical specification of the desired device.

## 6.3 Prescaler

There is only one prescaler available which is mutually exclusively shared between the Timer0 module and the watchdog timer. A prescaler assignment for the Timer0 module means that there is no prescaler for the watchdog timer, and vice-versa. This prescaler is not readable or writable (see Figure 6-1).

The PSA and PS<2:0> bits (OPTION\_REG<3:0>) determine the prescaler assignment and prescale ratio.

When assigned to the Timer0 module, all instructions writing to the TMR0 register (e.g. CLRF 1, MOVWF 1, BSF 1, x....etc.) will clear the prescaler. When assigned to WDT, a CLRWDT instruction will clear the prescaler along with the watchdog timer. The prescaler is not readable or writable.

**Note:** Writing to TMR0, when the prescaler is assigned to Timer0, will clear the prescaler count, but will not change the prescaler assignment.

To avoid an unintended device RESET, the following instruction sequence (shown in Example 6-1) must be executed when changing the prescaler assignment from Timer0 to the WDT. This sequence must be followed even if the WDT is disabled.

### EXAMPLE 6-1: CHANGING PRESCALER (TIMER0→WDT)

|   |   |
|---|---|
| Lines 2 and 3 do NOT have to be included if the final desired prescale value is other than 1:1. If 1:1 is the final desired value, then a temporary prescale value is set in lines 2 and 3 and the final prescale value will be set in lines 10 and 11. | <pre> 1) BSF    STATUS, RP0    ;Bank1 2) MOVLW  b'xx0x0xxx'   ;Select clock source and prescale value of 3) MOVWF  OPTION_REG    ;other than 1:1 4) BCF    STATUS, RP0    ;Bank0 5) CLRF   TMR0          ;Clear TMR0 and prescaler 6) BSF    STATUS, RP1    ;Bank1 7) MOVLW  b'xxxx1xxx'   ;Select WDT, do not change prescale value 8) MOVWF  OPTION_REG    ; 9) CLRWDT                ;Clears WDT and prescaler 10) MOVLW b'xxxx1xxx'   ;Select new prescale value and WDT 11) MOVWF  OPTION_REG    ; 12) BCF    STATUS, RP0    ;Bank0                 </pre> |
|---|---|

TABLE 6-1: REGISTERS ASSOCIATED WITH TIMER0

| Address            | Name       | Bit 7                    | Bit 6  | Bit 5 | Bit 4 | Bit 3 | Bit 2 | Bit 1 | Bit 0 | Value on: POR, BOR | Value on all other resets |
|--------------------|------------|--------------------------|--------|-------|-------|-------|-------|-------|-------|--------------------|---------------------------|
| 01h,101h           | TMR0       | Timer0 module's register |        |       |       |       |       |       |       | xxxx xxxx          | uuuu uuuu                 |
| 0Bh,8Bh, 10Bh,18Bh | INTCON     | GIE                      | PEIE   | TOIE  | INTE  | RBIE  | TOIF  | INTF  | RBIF  | 0000 000x          | 0000 000u                 |
| 81h,181h           | OPTION_REG | RBPU                     | INTEDG | T0CS  | T0SE  | PSA   | PS2   | PS1   | PS0   | 1111 1111          | 1111 1111                 |

Legend: x = unknown, u = unchanged, - = unimplemented locations read as '0'. Shaded cells are not used by Timer0.

## 7.0 TIMER1 MODULE

The Timer1 module is a 16-bit timer/counter consisting of two 8-bit registers (TMR1H and TMR1L), which are readable and writable. The TMR1 Register pair (TMR1H:TMR1L) increments from 0000h to FFFFh and rolls over to 0000h. The TMR1 interrupt, if enabled, is generated on overflow, which is latched in interrupt flag bit TMR1IF (PIR1<0>). This interrupt can be enabled/disabled by setting/clearing TMR1 interrupt enable bit TMR1IE (PIE1<0>).

Timer1 can operate in one of two modes:

- As a timer
- As a counter

The operating mode is determined by the clock select bit, TMR1CS (T1CON<1>).

In timer mode, Timer1 increments every instruction cycle. In counter mode, it increments on every rising edge of the external clock input.

Timer1 can be enabled/disabled by setting/clearing control bit TMR1ON (T1CON<0>).

Timer1 also has an internal "reset input". This reset can be generated by either of the two CCP modules (Section 9.0). Register 7-1 shows the Timer1 control register.

When the Timer1 oscillator is enabled (T1OSCEN is set), the RC1/T1OSI/CCP2 and RC0/T1OSO/T1CKI pins become inputs. That is, the TRISC<1:0> value is ignored.

Additional information on timer modules is available in the PICmicro™ Mid-range MCU Family Reference Manual (DS33023).

### REGISTER 7-1: TIMER1 CONTROL REGISTER (T1CON: 10h)

|      |     |         |         |         |        |        |        |      |
|------|-----|---------|---------|---------|--------|--------|--------|------|
| U-0  | U-0 | R/W-0   | R/W-0   | R/W-0   | R/W-0  | R/W-0  | R/W-0  |      |
| —    | —   | T1CKPS1 | T1CKPS0 | T1OSCEN | T1SYNC | TMR1CS | TMR1ON |      |
| bit7 |     |         |         |         |        |        |        | bit0 |

R = Readable bit  
W = Writable bit  
U = Unimplemented bit, read as '0'  
-n = Value at POR reset

bit 7-6: **Unimplemented:** Read as '0'

bit 5-4: **T1CKPS<1:0>**: Timer1 Input Clock Prescale Select bits  
11 = 1:8 Prescale value  
10 = 1:4 Prescale value  
01 = 1:2 Prescale value  
00 = 1:1 Prescale value

bit 3: **T1OSCEN**: Timer1 Oscillator Enable Control bit  
1 = Oscillator is enabled  
0 = Oscillator is shut off (The oscillator inverter is turned off to eliminate power drain)

bit 2: **T1SYNC**: Timer1 External Clock Input Synchronization Control bit

**TMR1CS = 1**  
1 = Do not synchronize external clock input  
0 = Synchronize external clock input

**TMR1CS = 0**  
This bit is ignored. Timer1 uses the internal clock when TMR1CS = 0.

bit 1: **TMR1CS**: Timer1 Clock Source Select bit  
1 = External clock from pin RC0/T1OSO/T1CKI <sup>(1)</sup> or RC1/T1OSI/CCP2  
0 = Internal clock (FINT)

bit 0: **TMR1ON**: Timer1 On bit  
1 = Enables Timer1  
0 = Stops Timer1

**Note 1:** On the rising edge after the first falling edge.

# PIC16C745/765

## 7.1 Timer1 Operation in Timer Mode

Timer mode is selected by clearing the TMR1CS (T1CON<1>) bit. In this mode, the input clock to the timer is FINT. The synchronize control bit  $\overline{T1SYNC}$  (T1CON<2>) has no effect since the internal clock is always in sync.

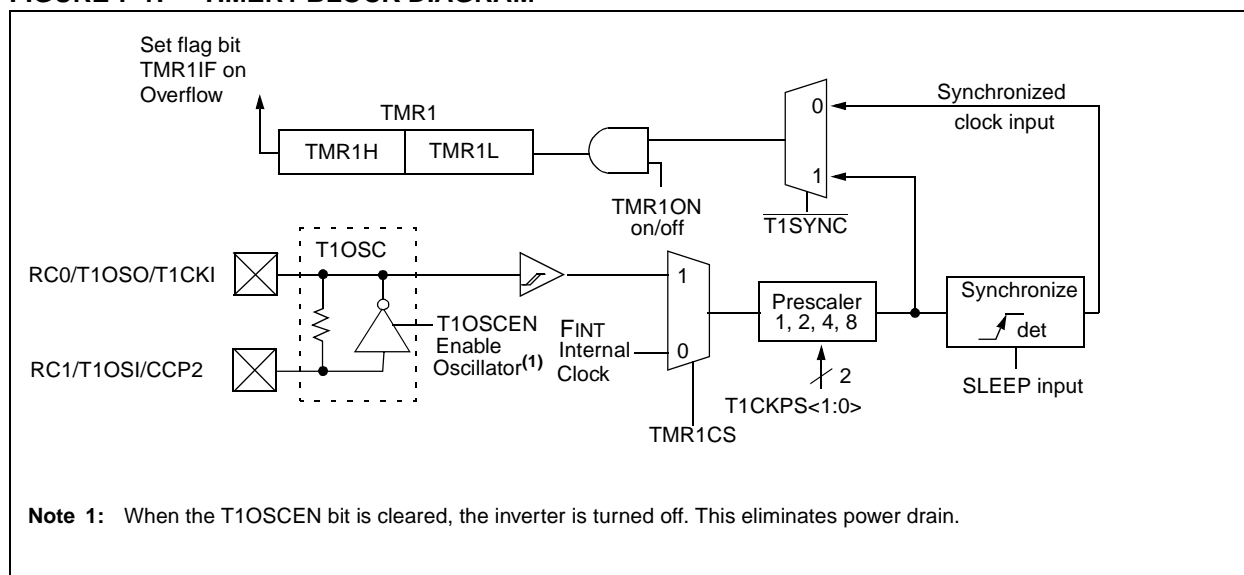
## 7.2 Timer1 Operation in Synchronized Counter Mode

Counter mode is selected by setting bit TMR1CS. In this mode, the timer increments on every rising edge of clock input on pin RC1/T1OSI/CCP2, when bit T1OSCEN is set, or on pin RC0/T1OSO/T1CKI, when bit T1OSCEN is cleared.

If  $\overline{T1SYNC}$  is cleared, then the external clock input is synchronized with internal phase clocks. The synchronization is done after the prescaler stage. The prescaler stage is an asynchronous ripple-counter.

In this configuration, during SLEEP mode, Timer1 will not increment even if the external clock is present, since the synchronization circuit is shut off. The prescaler however will continue to increment.

FIGURE 7-1: TIMER1 BLOCK DIAGRAM



## 7.3 Timer1 Operation in Asynchronous Counter Mode

If control bit  $\overline{T1SYNC}$  (T1CON<2>) is set, the external clock input is not synchronized. The timer continues to increment asynchronous to the internal phase clocks. The timer will continue to run during SLEEP and can generate an interrupt on overflow, which will wake-up the processor. However, special precautions in software are needed to read/write the timer (Section 7.3.1).

In asynchronous counter mode, Timer1 can not be used as a time-base for capture or compare operations.

### 7.3.1 READING AND WRITING TIMER1 IN ASYNCHRONOUS COUNTER MODE

Reading TMR1H or TMR1L while the timer is running from an external asynchronous clock will guarantee a valid read (taken care of in hardware). However, the user should keep in mind that reading the 16-bit timer in two 8-bit values itself poses certain problems, since the timer may overflow between the reads.

For writes, it is recommended that the user simply stop the timer and write the desired values. A write contention may occur by writing to the timer registers, while the register is incrementing. This may produce an unpredictable value in the timer register.

Reading the 16-bit value requires some care. Examples 12-2 and 12-3 in the PICmicro™ Mid-Range MCU Family Reference Manual (DS33023) show how to read and write Timer1 when it is running in asynchronous mode.

## 7.4 Timer1 Oscillator

A crystal oscillator circuit is built-in between pins T1OSI (input) and T1OSO (amplifier output). It is enabled by setting control bit T1OSCEN (T1CON<3>). The oscillator is a low power oscillator rated up to 200 kHz. It will continue to run during SLEEP. It is primarily intended for use with a 32 kHz crystal. Table 7-1 shows the capacitor selection for the Timer1 oscillator.

**TABLE 7-1: CAPACITOR SELECTION FOR THE TIMER1 OSCILLATOR**

| Osc Type   | Freq                  | C1       | C2    |
|--|-----------------------|----------|-------|
| LP   | 32 kHz                | 33 pF    | 33 pF |
|  | 100 kHz               | 15 pF    | 15 pF |
|  | 200 kHz               | 15 pF    | 15 pF |
| These values are for design guidance only.   |                       |          |       |
| <b>Crystals Tested:</b>  |                       |          |       |
| 32.768 kHz   | Epson C-001R32.768K-A | ± 20 PPM |       |
| 100 kHz  | Epson C-2 100.00 KC-P | ± 20 PPM |       |
| 200 kHz  | STD XTL 200.000 kHz   | ± 20 PPM |       |
| <b>Note 1:</b> Higher capacitance increases the stability of oscillator but also increases the start-up time.<br><b>2:</b> Since each resonator/crystal has its own characteristics, the user should consult the resonator/crystal manufacturer for appropriate values of external components. |                       |          |       |

## 7.5 Resetting Timer1 using a CCP Trigger Output

If the CCP1 or CCP2 module is configured in compare mode to generate a “special event trigger” (CCP1M<3:0> = 1011), this signal will reset Timer1.

**Note:** The special event triggers from the CCP1 and CCP2 modules will not set interrupt flag bit TMR1IF (PIR1<0>).

Timer1 must be configured for either timer or synchronized counter mode to take advantage of this feature. If Timer1 is running in asynchronous counter mode, this reset operation may not work.

In the event that a write to Timer1 coincides with a special event trigger from CCP1 or CCP2, the write will take precedence.

In this mode of operation, the CCPRxH:CCPRxL register pair effectively becomes the period register for Timer1.

## 7.6 Resetting of Timer1 Register Pair (TMR1H, TMR1L)

TMR1H and TMR1L registers are not reset to 00h on a POR or any other reset except by the CCP1 and CCP2 special event triggers.

T1CON register is reset to 00h on a Power-on Reset or a Brown-out Reset, which shuts off the timer and leaves a 1:1 prescale. In all other resets, the register is unaffected.

## 7.7 Timer1 Prescaler

The prescaler counter is cleared on writes to the TMR1H or TMR1L registers.

# PIC16C745/765

**TABLE 7-2: REGISTERS ASSOCIATED WITH TIMER1 AS A TIMER/COUNTER**

| Address                   | Name   | Bit 7   | Bit 6 | Bit 5   | Bit 4   | Bit 3   | Bit 2           | Bit 1  | Bit 0  | Value on:<br>POR,<br>BOR | Value on<br>all other<br>resets |
|---------------------------|--------|---|-------|---------|---------|---------|-----------------|--------|--------|--------------------------|---------------------------------|
| 0Bh,8Bh,<br>10Bh,<br>18Bh | INTCON | GIE   | PEIE  | T0IE    | INTE    | RBIE    | T0IF            | INTF   | RBIF   | 0000 000x                | 0000 000u                       |
| 0Ch                       | PIR1   | PSPIF <sup>(1)</sup>  | ADIF  | RCIF    | TXIF    | USBIF   | CCP1IF          | TMR2IF | TMR1IF | 0000 0000                | 0000 0000                       |
| 8Ch                       | PIE1   | PSPIE <sup>(1)</sup>  | ADIE  | RCIE    | TXIE    | USBIE   | CCP1IE          | TMR2IE | TMR1IE | 0000 0000                | 0000 0000                       |
| 0Eh                       | TMR1L  | Holding register for the Least Significant Byte of the 16-bit TMR1 register |       |         |         |         |                 |        |        | xxxx xxxx                | uuuu uuuu                       |
| 0Fh                       | TMR1H  | Holding register for the Most Significant Byte of the 16-bit TMR1 register  |       |         |         |         |                 |        |        | xxxx xxxx                | uuuu uuuu                       |
| 10h                       | T1CON  | —   | —     | T1CKPS1 | T1CKPS0 | T1OSCEN | T1SYN $\bar{C}$ | TMR1CS | TMR1ON | --00 0000                | --uu uuuu                       |

Legend: x = unknown, u = unchanged, - = unimplemented read as '0'. Shaded cells are not used by the Timer1 module.

**Note 1:** Bits PSPIE and PSPIF are reserved on the PIC16C745; always maintain these bits clear.



## 8.0 TIMER2 MODULE

Timer2 is an 8-bit timer with a prescaler and a postscaler. It can be used as the PWM time-base for the PWM mode of the CCP module(s). The TMR2 register is readable and writable, and is cleared on any device reset.

The input clock (FINT/4) has a prescale option of 1:1, 1:4 or 1:16, selected by control bits T2CKPS<1:0> (T2CON<1:0>).

The Timer2 module has an 8-bit period register PR2. Timer2 increments from 00h until it matches PR2 and then resets to 00h on the next increment cycle. PR2 is a readable and writable register. The PR2 register is initialized to FFh upon reset.

The match output of TMR2 goes through a 4-bit postscaler (which gives a 1:1 to 1:16 scaling inclusive) to generate a TMR2 interrupt (latched in flag bit TMR2IF, (PIR1<1>)).

Timer2 can be shut off by clearing control bit TMR2ON (T2CON<2>) to minimize power consumption.

Register 8-1 shows the Timer2 control register.

Additional information on timer modules is available in the PICmicro™ Mid-Range MCU Family Reference Manual (DS33023).

## 8.1 Timer2 Prescaler and Postscaler

The prescaler and postscaler counters are cleared when any of the following occurs:

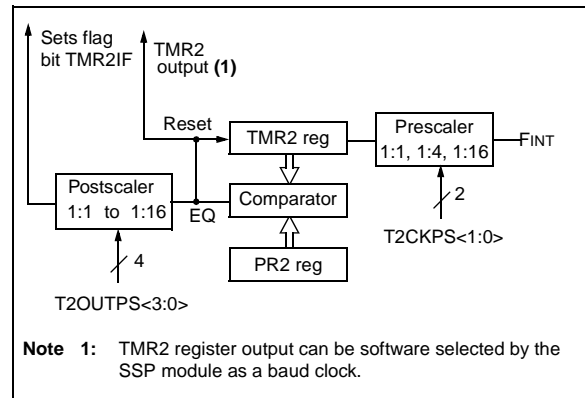
- a write to the TMR2 register
- a write to the T2CON register
- any device reset (POR, MCLR reset, WDT reset or BOR)

TMR2 is not cleared when T2CON is written.

## 8.2 Output of TMR2

The output of TMR2 (before the postscaler) is fed to the SSPort module, which optionally uses it to generate shift clock.

**FIGURE 8-1: TIMER2 BLOCK DIAGRAM**



**REGISTER 8-1: TIMER2 CONTROL REGISTER (T2CON: 12h)**

| U-0      | R/W-0   | R/W-0   | R/W-0   | R/W-0   | R/W-0  | R/W-0   | R/W-0   |
|----------|---|---------|---------|---------|--------|---------|---------|
| —        | TOUTPS3   | TOUTPS2 | TOUTPS1 | TOUTPS0 | TMR2ON | T2CKPS1 | T2CKPS0 |
| bit7     |   |         |         |         |        |         | bit0    |
| bit 7:   | <b>Unimplemented:</b> Read as '0'                             |         |         |         |        |         |         |
| bit 6-3: | <b>TOUTPS&lt;3:0&gt;:</b> Timer2 Output Postscale Select bits |         |         |         |        |         |         |
|          | 0000 = 1:1 Postscale  |         |         |         |        |         |         |
|          | 0001 = 1:2 Postscale  |         |         |         |        |         |         |
|          | 0010 = 1:3 Postscale  |         |         |         |        |         |         |
|          | •   |         |         |         |        |         |         |
|          | •   |         |         |         |        |         |         |
|          | •   |         |         |         |        |         |         |
|          | 1111 = 1:16 Postscale   |         |         |         |        |         |         |
| bit 2:   | <b>TMR2ON:</b> Timer2 On bit                                  |         |         |         |        |         |         |
|          | 1 = Timer2 is on  |         |         |         |        |         |         |
|          | 0 = Timer2 is off   |         |         |         |        |         |         |
| bit 1-0: | <b>T2CKPS&lt;1:0&gt;:</b> Timer2 Clock Prescale Select bits   |         |         |         |        |         |         |
|          | 00 = Prescaler is 1   |         |         |         |        |         |         |
|          | 01 = Prescaler is 4   |         |         |         |        |         |         |
|          | 1x = Prescaler is 16  |         |         |         |        |         |         |

R = Readable bit  
W = Writable bit  
U = Unimplemented bit, read as '0'  
-n = Value at POR reset

# PIC16C745/765

**TABLE 8-1: REGISTERS ASSOCIATED WITH TIMER2 AS A TIMER/COUNTER**

| Address               | Name   | Bit 7                    | Bit 6   | Bit 5   | Bit 4   | Bit 3   | Bit 2  | Bit 1   | Bit 0   | Value on:<br>POR,<br>BOR | Value on<br>all other<br>resets |
|-----------------------|--------|--------------------------|---------|---------|---------|---------|--------|---------|---------|--------------------------|---------------------------------|
| 0Bh,8Bh,<br>10Bh,18Bh | INTCON | GIE                      | PEIE    | T0IE    | INTE    | RBIE    | T0IF   | INTF    | RBIF    | 0000 000x                | 0000 000u                       |
| 0Ch                   | PIR1   | PSPIF <sup>(1)</sup>     | ADIF    | RCIF    | TXIF    | USBIF   | CCP1IF | TMR2IF  | TMR1IF  | 0000 0000                | 0000 0000                       |
| 8Ch                   | PIE1   | PSPIE <sup>(1)</sup>     | ADIE    | RCIE    | TXIE    | USBIE   | CCP1IE | TMR2IE  | TMR1IE  | 0000 0000                | 0000 0000                       |
| 11h                   | TMR2   | Timer2 module's register |         |         |         |         |        |         |         | 0000 0000                | 0000 0000                       |
| 12h                   | T2CON  | —                        | TOUTPS3 | TOUTPS2 | TOUTPS1 | TOUTPS0 | TMR2ON | T2CKPS1 | T2CKPS0 | -000 0000                | -000 0000                       |
| 92h                   | PR2    | Timer2 Period Register   |         |         |         |         |        |         |         | 1111 1111                | 1111 1111                       |

Legend: x = unknown, u = unchanged, - = unimplemented read as '0'. Shaded cells are not used by the Timer2 module.

**Note 1:** Bits PSPIE and PSPIF are reserved on the PIC16C745; always maintain these bits clear.

## 9.0 CAPTURE/COMPARE/PWM MODULES

Each Capture/Compare/PWM (CCP) module contains a 16-bit register which can operate as a:

- 16-bit capture register
- 16-bit compare register
- PWM master/slave Duty Cycle register

Both the CCP1 and CCP2 modules are identical in operation, with the exception being the operation of the special event trigger. Table 9-1 and Table 9-2 show the resources and interactions of the CCP module(s). In the following sections, the operation of a CCP module is described with respect to CCP1. CCP2 operates the same as CCP1, except where noted.

### CCP1 Module:

Capture/Compare/PWM Register1 (CCPR1) is comprised of two 8-bit registers: CCPR1L (low byte) and CCPR1H (high byte). The CCP1CON register controls the operation of CCP1. The special event trigger is generated by a compare match and will reset Timer1.

### CCP2 Module:

Capture/Compare/PWM Register1 (CCPR2) is comprised of two 8-bit registers: CCPR2L (low byte) and CCPR2H (high byte). The CCP2CON register controls the operation of CCP2. The special event trigger is generated by a compare match and will reset Timer1 and start an A/D conversion (if the A/D module is enabled).

Additional information on CCP modules is available in the PICmicro™ Mid-Range MCU Family Reference Manual (DS33023) and in "Using the CCP Modules" (AN594).

**TABLE 9-1: CCP MODE - TIMER RESOURCES REQUIRED**

| CCP Mode | Timer Resource |
|----------|----------------|
| Capture  | Timer1         |
| Compare  | Timer1         |
| PWM      | Timer2         |

**TABLE 9-2: INTERACTION OF TWO CCP MODULES**

| CCPx Mode | CCPy Mode | Interaction   |
|-----------|-----------|---|
| Capture   | Capture   | Same TMR1 time-base.  |
| Capture   | Compare   | The compare should be configured for the special event trigger, which clears TMR1.    |
| Compare   | Compare   | The compare(s) should be configured for the special event trigger, which clears TMR1. |
| PWM       | PWM       | The PWMs will have the same frequency and update rate (TMR2 interrupt).               |
| PWM       | Capture   | None.   |
| PWM       | Compare   | None.   |

# PIC16C745/765

## REGISTER 9-1: CAPTURE/COMPARE/PWMN CONTROL REGISTER (CCP1CON: 17H, CCP2CON: 1Dh)

| U    | U | R/W-0 | R/W-0 | R/W-0  | R/W-0  | R/W-0  | R/W-0  |
|------|---|-------|-------|--------|--------|--------|--------|
| —    | — | DCnB1 | DCnB0 | CCPnM3 | CCPnM2 | CCPnM1 | CCPnM0 |
| bit7 |   |       |       |        |        |        | bit0   |

R = Readable bit  
W = Writable bit  
U = Unimplemented bit, read as '0'  
- n = Value at POR reset

bit 7-6: **Unimplemented:** Read as '0'

bit 5-4: **DCnB<1:0>:** PWM Least Significant bits  
Capture Mode: Unused  
Compare Mode: Unused  
PWM Mode: These bits are the two LSBs of the PWM duty cycle. The eight MSBs are found in CCPRnL.

bit 3-0: **CCPnM<3:0>:** CCPx Mode Select bits  
0000 = Capture/Compare/PWM off (resets CCPn module)  
0100 = Capture mode, every falling edge  
0101 = Capture mode, every rising edge  
0110 = Capture mode, every 4th rising edge  
0111 = Capture mode, every 16th rising edge  
1000 = Compare mode, set output on match (CCPnIF bit is set)  
1001 = Compare mode, clear output on match (CCPnIF bit is set)  
1010 = Compare mode, generate software interrupt on match (CCPnIF bit is set, CCPn pin is unaffected)  
1011 = Compare mode, trigger special event (CCPnIF bit is set; CCPn resets TMR1or TMR3)  
11xx = PWM mode

## 9.1 Capture Mode

In Capture mode, CCPR1H:CCPR1L captures the 16-bit value of the TMR1 register when an event occurs on pin RC2/CCP1. An event is defined as:

- Every falling edge
- Every rising edge
- Every 4th rising edge
- Every 16th rising edge

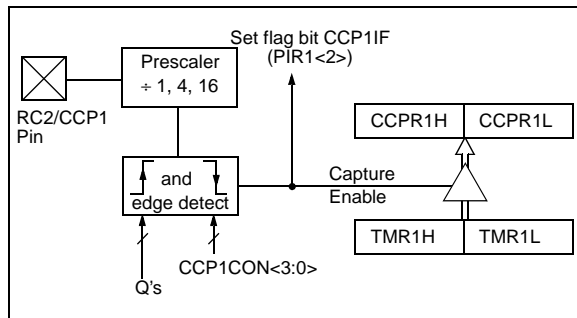
An event is selected by control bits CCP1M<3:0> (CCP1CON<3:0>). When a capture is made, the interrupt request flag bit CCP1IF (PIR1<2>) is set. The interrupt flag must be cleared in software. If another capture occurs before the value in register CCPR1 is read, the old captured value will be lost.

### 9.1.1 CCP PIN CONFIGURATION

In Capture mode, the RC2/CCP1 pin should be configured as an input by setting the TRISC<2> bit.

**Note:** If the RC2/CCP1 pin is configured as an output, a write to the port can cause a capture condition.

**FIGURE 9-1: CAPTURE MODE OPERATION BLOCK DIAGRAM**



### 9.1.2 TIMER1 MODE SELECTION

Timer1 must be running in timer mode or synchronized counter mode for the CCP module to use the capture feature. In asynchronous counter mode, the capture operation may not work.

### 9.1.3 SOFTWARE INTERRUPT

When the capture mode is changed, a false capture interrupt may be generated. The user should keep bit CCP1IE (PIE1<2>) clear to avoid false interrupts and should clear the flag bit CCP1IF following any such change in operating mode.

### 9.1.4 CCP PRESCALER

There are four prescaler settings, specified by bits CCP1M<3:0>. Whenever the CCP module is turned off, or the CCP module is not in capture mode, the prescaler counter is cleared. Any reset will clear the prescaler counter.

Switching from one capture prescaler to another may generate an interrupt. Also, the prescaler counter will not be cleared, therefore, the first capture may be from a non-zero prescaler. Example 9-1 shows the recommended method for switching between capture prescalers. This example also clears the prescaler counter and will not generate the "false" interrupt.

### EXAMPLE 9-1: CHANGING BETWEEN CAPTURE PRESCALERS

```
CLRF    CCP1CON    ;Turn CCP module off
MOVLW  NEW_CAPT_PS ;Load the W reg with
                    ; the new prescaler
MOVWF  CCP1CON    ; move value and CCP ON
                    ;Load CCP1CON with this
                    ; value
```

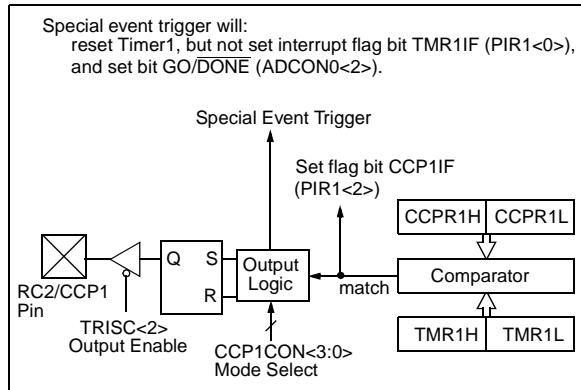
## 9.2 Compare Mode

In Compare mode, the 16-bit CCPR1 register value is constantly compared against the TMR1 register pair value. When a match occurs, the RC2/CCP1 pin is:

- Driven high
- Driven low
- Remains unchanged

The action on the pin is based on the value of control bits CCP1M<3:0> (CCP1CON<3:0>). At the same time, interrupt flag bit CCP1IF is set.

**FIGURE 9-2: COMPARE MODE OPERATION BLOCK DIAGRAM**



### 9.2.1 CCP PIN CONFIGURATION

The user must configure the RC2/CCP1 pin as an output by clearing the TRISC<2> bit.

**Note:** Clearing the CCP1CON register will force the RC2/CCP1 compare output latch to the default low level. This is not the data latch.

### 9.2.2 TIMER1 MODE SELECTION

Timer1 must be running in Timer mode or Synchronized Counter mode if the CCP module is using the compare feature. In Asynchronous Counter mode, the compare operation may not work.

### 9.2.3 SOFTWARE INTERRUPT MODE

When Generate Software Interrupt mode is chosen, the CCP1 pin is not affected. The CCP1IF bit is set causing a CCP interrupt (if enabled).

### 9.2.4 SPECIAL EVENT TRIGGER

In this mode, an internal hardware trigger is generated, which may be used to initiate an action.

The special event trigger output of CCP1 resets the TMR1 register pair. This allows the CCPR1 register to effectively be a 16-bit programmable period register for Timer1.

The special event trigger output of CCP2 resets the TMR1 register pair and starts an A/D conversion (if the A/D module is enabled).

**Note:** The special event trigger from the CCP1 and CCP2 modules will not set interrupt flag bit TMR1IF (PIR1<0>).

## 9.3 PWM Mode (PWM)

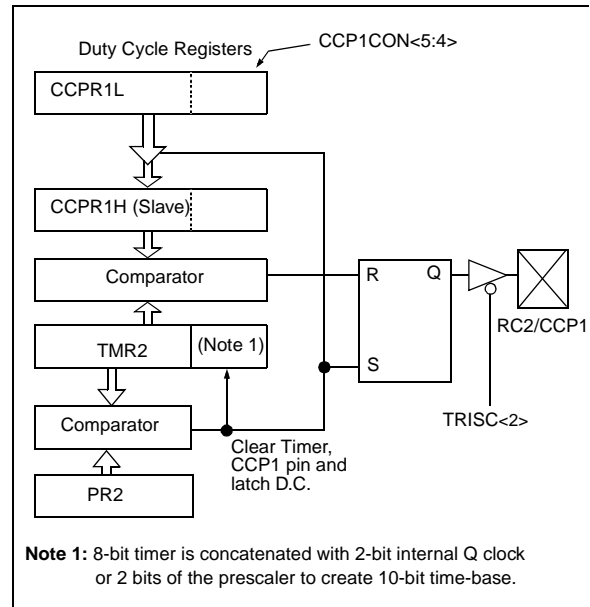
In pulse width modulation mode, the CCPx pin produces up to a 10-bit resolution PWM output. Since the CCP1 pin is multiplexed with the PORTC data latch, the TRISC<2> bit must be cleared to make the CCP1 pin an output.

**Note:** Clearing the CCP1CON register will force the CCP1 PWM output latch to the default low level. This is not the PORTC I/O data latch.

Figure 9-3 shows a simplified block diagram of the CCP module in PWM mode.

For a step by step procedure on how to set up the CCP module for PWM operation, see Section 9.3.3.

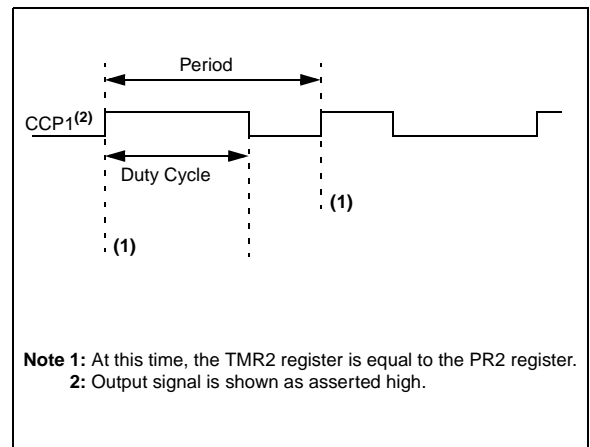
**FIGURE 9-3: SIMPLIFIED PWM BLOCK DIAGRAM**



**Note 1:** 8-bit timer is concatenated with 2-bit internal Q clock or 2 bits of the prescaler to create 10-bit time-base.

A PWM output (Figure 9-4) has a time base (period) and a time that the output stays high (duty cycle). The frequency of the PWM is the inverse of the period (1/period).

**FIGURE 9-4: PWM OUTPUT**



**Note 1:** At this time, the TMR2 register is equal to the PR2 register.  
**Note 2:** Output signal is shown as asserted high.

## 9.3.1 PWM PERIOD

The PWM period is specified by writing to the PR2 register. The PWM period can be calculated using the following formula:

$$\text{PWM period} = [(PR2) + 1] \cdot 4 \cdot T_{osc} \cdot (\text{TMR2 prescale value})$$

PWM frequency is defined as  $1 / [\text{PWM period}]$ .

When TMR2 is equal to PR2, the following three events occur on the next increment cycle:

- TMR2 is cleared
- The CCP1 pin is set (exception: if PWM duty cycle = 0%, the CCP1 pin will not be set)
- The PWM duty cycle is latched from CCPR1L into CCPR1H

**Note:** The Timer2 postscaler (see Section 8.1) is not used in the determination of the PWM frequency. The postscaler could be used to have a servo update rate at a different frequency than the PWM output.

## 9.3.2 PWM DUTY CYCLE

The PWM duty cycle is specified by writing to the CCPR1L register and to the CCP1CON<5:4> bits. Up to 10-bit resolution is available. The CCPR1L contains the eight MSBs and the CCP1CON<5:4> contains the two LSbs. This 10-bit value is represented by CCPR1L:CCP1CON<5:4>. The following equation is used to calculate the PWM duty cycle in time:

$$\text{PWM duty cycle} = (\text{CCPR1L:CCP1CON<5:4>}) \cdot T_{osc} \cdot (\text{TMR2 prescale value})$$

CCPR1L and CCP1CON<5:4> can be written to at any time, but the duty cycle value is not latched into CCPR1H until after a match between PR2 and TMR2 occurs (i.e., the period is complete). In PWM mode, CCPR1H is a read-only register.

The CCPR1H register and a 2-bit internal latch are used to double buffer the PWM duty cycle. This double buffering is essential for glitchless PWM operation.

When the CCPR1H and 2-bit latch match TMR2 concatenated with an internal 2-bit Q clock or 2 bits of the TMR2 prescaler, the CCP1 pin is cleared.

Maximum PWM resolution (bits) for a given PWM frequency:

$$\text{Resolution} = \frac{\log\left(\frac{F_{INT}}{F_{PWM}}\right)}{\log(2)} \text{ bits}$$

**Note:** If the PWM duty cycle value is longer than the PWM period, the CCP1 pin will not be cleared.

## 9.3.3 SET-UP FOR PWM OPERATION

The following steps should be taken when configuring the CCP module for PWM operation:

1. Set the PWM period by writing to the PR2 register.
2. Set the PWM duty cycle by writing to the CCPR1L register and CCP1CON<5:4> bits.
3. Make the CCP1 pin an output by clearing the TRISC<2> bit.
4. Set the TMR2 prescale value and enable Timer2 by writing to T2CON.
5. Configure the CCP1 module for PWM operation.

# PIC16C745/765

**TABLE 9-3: REGISTERS ASSOCIATED WITH CAPTURE, COMPARE, AND TIMER1**

| Address           | Name    | Bit 7   | Bit 6 | Bit 5   | Bit 4   | Bit 3   | Bit 2  | Bit 1  | Bit 0  | Value on: POR, BOR | Value on all other resets |
|-------------------|---------|---|-------|---------|---------|---------|--------|--------|--------|--------------------|---------------------------|
| 0Bh,8Bh,10Bh,18Bh | INTCON  | GIE   | PEIE  | TOIE    | INTE    | RBIE    | T0IF   | INTF   | RBFIF  | 0000 000x          | 0000 000u                 |
| 0Ch               | PIR1    | PSPIF <sup>(1)</sup>  | ADIF  | RCIF    | TXIF    | USBIF   | CCP1IF | TMR2IF | TMR1IF | 0000 0000          | 0000 0000                 |
| 0Dh               | PIR2    | —   | —     | —       | —       | —       | —      | —      | CCP2IF | ---- --0           | ---- --0                  |
| 8Ch               | PIE1    | PSPIE <sup>(1)</sup>  | ADIE  | RCIE    | TXIE    | USBIE   | CCP1IE | TMR2IE | TMR1IE | 0000 0000          | 0000 0000                 |
| 8Dh               | PIE2    | —   | —     | —       | —       | —       | —      | —      | CCP2IE | ---- --0           | ---- --0                  |
| 87h               | TRISC   | PORTC Data Direction Register   |       |         |         |         |        |        |        | 1111 1111          | 1111 1111                 |
| 0Eh               | TMR1L   | Holding register for the Least Significant Byte of the 16-bit TMR1 register |       |         |         |         |        |        |        | xxxx xxxx          | uuuu uuuu                 |
| 0Fh               | TMR1H   | Holding register for the Most Significant Byte of the 16-bit TMR1 register  |       |         |         |         |        |        |        | xxxx xxxx          | uuuu uuuu                 |
| 10h               | T1CON   | —   | —     | T1CKPS1 | T1CKPS0 | T1OSCEN | T1SYNC | TMR1CS | TMR1ON | --00 0000          | --uu uuuu                 |
| 15h               | CCPR1L  | Capture/Compare/PWM register1 (LSB)   |       |         |         |         |        |        |        | xxxx xxxx          | uuuu uuuu                 |
| 16h               | CCPR1H  | Capture/Compare/PWM register1 (MSB)   |       |         |         |         |        |        |        | xxxx xxxx          | uuuu uuuu                 |
| 17h               | CCP1CON | —   | —     | DCnB1   | DCnB0   | CCP1M3  | CCP1M2 | CCP1M1 | CCP1M0 | --00 0000          | --00 0000                 |
| 1Bh               | CCPR2L  | Capture/Compare/PWM register2 (LSB)   |       |         |         |         |        |        |        | xxxx xxxx          | uuuu uuuu                 |
| 1Ch               | CCPR2H  | Capture/Compare/PWM register2 (MSB)   |       |         |         |         |        |        |        | xxxx xxxx          | uuuu uuuu                 |
| 1Dh               | CCP2CON | —   | —     | DCnB1   | DCnB0   | CCP2M3  | CCP2M2 | CCP2M1 | CCP2M0 | --00 0000          | --00 0000                 |

Legend: x = unknown, u = unchanged, - = unimplemented read as '0'. Shaded cells are not used by Capture and Timer1.

**Note 1:** The PSP is not implemented on the PIC16C745; always maintain these bits clear.

**TABLE 9-4: REGISTERS ASSOCIATED WITH PWM AND TIMER2**

| Address           | Name    | Bit 7                               | Bit 6   | Bit 5   | Bit 4   | Bit 3   | Bit 2  | Bit 1   | Bit 0   | Value on: POR, BOR | Value on all other resets |
|-------------------|---------|-------------------------------------|---------|---------|---------|---------|--------|---------|---------|--------------------|---------------------------|
| 0Bh,8Bh,10Bh,18Bh | INTCON  | GIE                                 | PEIE    | TOIE    | INTE    | RBIE    | T0IF   | INTF    | RBFIF   | 0000 000x          | 0000 000u                 |
| 0Ch               | PIR1    | PSPIF <sup>(1)</sup>                | ADIF    | RCIF    | TXIF    | USBIF   | CCP1IF | TMR2IF  | TMR1IF  | 0000 0000          | 0000 0000                 |
| 0Dh               | PIR2    | —                                   | —       | —       | —       | —       | —      | —       | CCP2IF  | ---- --0           | ---- --0                  |
| 8Ch               | PIE1    | PSPIE <sup>(1)</sup>                | ADIE    | RCIE    | TXIE    | USBIE   | CCP1IE | TMR2IE  | TMR1IE  | 0000 0000          | 0000 0000                 |
| 8Dh               | PIE2    | —                                   | —       | —       | —       | —       | —      | —       | CCP2IE  | ---- --0           | ---- --0                  |
| 87h               | TRISC   | PORTC Data Direction Register       |         |         |         |         |        |         |         | 1111 1111          | 1111 1111                 |
| 11h               | TMR2    | Timer2 module's register            |         |         |         |         |        |         |         | 0000 0000          | 0000 0000                 |
| 92h               | PR2     | Timer2 module's period register     |         |         |         |         |        |         |         | 1111 1111          | 1111 1111                 |
| 12h               | T2CON   | —                                   | TOUTPS3 | TOUTPS2 | TOUTPS1 | TOUTPS0 | TMR2ON | T2CKPS1 | T2CKPS0 | -000 0000          | -000 0000                 |
| 15h               | CCPR1L  | Capture/Compare/PWM register1 (LSB) |         |         |         |         |        |         |         | xxxx xxxx          | uuuu uuuu                 |
| 16h               | CCPR1H  | Capture/Compare/PWM register1 (MSB) |         |         |         |         |        |         |         | xxxx xxxx          | uuuu uuuu                 |
| 17h               | CCP1CON | —                                   | —       | DCnB1   | DCnB0   | CCP1M3  | CCP1M2 | CCP1M1  | CCP1M0  | --00 0000          | --00 0000                 |
| 1Bh               | CCPR2L  | Capture/Compare/PWM register2 (LSB) |         |         |         |         |        |         |         | xxxx xxxx          | uuuu uuuu                 |
| 1Ch               | CCPR2H  | Capture/Compare/PWM register2 (MSB) |         |         |         |         |        |         |         | xxxx xxxx          | uuuu uuuu                 |
| 1Dh               | CCP2CON | —                                   | —       | DCnB1   | DCnB0   | CCP2M3  | CCP2M2 | CCP2M1  | CCP2M0  | --00 0000          | --00 0000                 |

Legend: x = unknown, u = unchanged, - = unimplemented read as '0'. Shaded cells are not used by PWM and Timer2.

**Note 1:** Bits PSPIE and PSPIF are reserved on the PIC16C745; always maintain these bits clear.



## 10.0 UNIVERSAL SERIAL BUS

### 10.1 Overview

This section introduces a minimum amount of information on USB. If you already have basic knowledge of USB, you can safely skip this section. If terms like Enumeration, Endpoint, IN/OUT Transactions, Transfers and Low Speed/Full Speed are foreign to you, read on.

USB was developed to address the increased connectivity needs of PC's in the PC 2000 specification. There was a base requirement to increase the bandwidth and number of devices, which could be attached. Also desired were the ability for hot swapping, user friendly operation, robust communications and low cost. The primary promoters of USB are Intel, Compaq, Microsoft and NEC.

USB is implemented as a Tiered Star topology, with the host at the top, hubs in the middle, spreading out to the individual devices at the end. USB is limited to 127 devices on the bus, and the tree cannot be more than 6 levels deep.

USB is a host centric architecture. The host is always the master. Devices are not allowed to "speak" unless "spoken to" by the host.

Transfers take place at one of two speeds. Full Speed is 12 Mb/s and Low Speed is 1.5 Mb/s. Full Speed covers the middle ground of data intensive audio and compressed video applications, while low speed supports less data intensive applications.

#### 10.1.1 TRANSFER PROTOCOLS

Four transfer protocols are defined, each with attributes:

- Isochronous Transfers, meaning equal time, guarantee a fixed amount of data at a fixed rate. This mode trades off guaranteed data accuracy for guaranteed timeliness. Data validity is not checked because there isn't time to re-send bad packets anyway and the consequences of bad data are not catastrophic.
- Bulk Transfers are the converse of Isochronous. Data accuracy is guaranteed, but timeliness is not.
- Interrupt Transfers are designed to communicate with devices which have a moderate data rate requirement. Human Interface Devices like keyboards are but one example. For Interrupt Transfers, the key is the desire to transfer data at regular intervals. USB periodically polls these devices at a fixed rate to see if there is data to transfer.
- Control Transfers are used for configuration purposes.

#### 10.1.2 FRAMES

Information communicated on the bus is grouped in a format called Frames. Each Frame is 1 ms in duration and is composed of multiple transfers. Each transfer type can be repeated more than once within a frame.

#### 10.1.3 POWER

Power has always been a concern with any device. With USB, 5 volt power is now available directly from the bus. Devices may be self-powered or bus-powered. Self-powered devices will draw power from a wall adapter or power brick. On the other hand, bus-powered devices will draw power directly from the USB bus itself. There are limits to how much power can be drawn from the USB bus. Power is expressed in terms of "unit loads" ( $\leq 100$  mA). All devices, including Hubs, are guaranteed at least 1 unit load (low power), but must negotiate with the host for up to 5 unit loads (high power). If the host determines that the bus as currently configured cannot support a device's request for more unit loads, the device will be denied the extra unit loads and must remain in a low power configuration.

#### 10.1.4 END POINTS

At the lowest level, each device controls one or more endpoints. An endpoint can be thought of as a virtual port. Endpoints are used to communicate with a device's functions. Each endpoint is a source or sink of data. Endpoints have both an In and Out direction associated with it. Each device must implement endpoint 0 to support Control Transfers for configuration. There are a maximum of 15 endpoints available for use by each full speed device and 6 endpoints for each slow speed device. Remember that the bus is host centric, so In/Out is with respect to the host and not the device.

#### 10.1.5 ENUMERATION

Prior to communicating on the bus, the host must see that a new device has been connected and then go through an "enumeration process". This process allows the host to ask the device to introduce itself, and negotiate performance parameters, such as power consumption, transfer protocol and polling rate. The enumeration process is initiated by the host when it detects that a new device has attached itself to the bus. This takes place completely in the background from the application process.

#### 10.1.6 DESCRIPTORS

The USB specification requires a number of different descriptors to provide information necessary to identify a device, specify its endpoints, and each endpoint's function. The five general categories of descriptors are Device, Configuration, Interface, End Point and String.

The Device descriptor provides general information such as manufacturer, product number, serial number, USB device class the product falls under, and the number of different configurations supported. There can only be one Device descriptor for any given application.

The Configuration descriptor provides information on the power requirements of the device and how many different interfaces are supported when in this configuration. There may be more than one configuration for each device, (i.e., a high power device may also support a low power configuration).

The Interface descriptor details the number of endpoints used in this interface, as well as the class driver to use should the device support functions in more than just one device class. There can only be one Interface descriptor for each configuration.

The Endpoint descriptor details the actual registers for a given function. Information is stored about the transfer types supported, direction (In/Out), bandwidth requirements and polling interval. There may be more than one endpoint in a device, and endpoints may be shared between different interfaces.

Many of the four descriptors listed above will reference or index different String descriptors. String descriptors are used to provide vendor specific or application specific information. They may be optional and are encoded in "Unicode" format.

## 10.1.7 DEVICE CLASSES/CLASS DRIVERS

Operating systems provide drivers which group functions together by common device types called classes. Examples of device classes include, but are not limited to, storage, audio, communications and HID (Human Interface). Class drivers for a given application are referenced in both the Device descriptor and Interface descriptor. Most applications can find a Class Driver which supports the majority of their function/command needs. Vendors who have a requirement for specific commands which are not supported by any of the standard class drivers may provide a vendor specific ".inf" file or driver for extra support.

## 10.1.8 SUMMARY

While a complete USB overview is beyond the scope of this document, a few key concepts must be noted. Low speed communication is designed for devices, which in the past, used an interrupt to communicate with the host. In the USB scheme, devices do not directly interrupt the processor when they have data. Instead the host periodically polls each device to see if they have any data. This polling rate is negotiated between the device and host, giving the system a guaranteed latency.

For more details on USB, see the USB V1.1 spec, available from the USB website at [www.usb.org](http://www.usb.org).

## 10.2 Application Isolation

Microchip provides a comprehensive support library of standard chapter 9 USB commands. These libraries provide a software layer to insulate the application software from having to handle the complexities of the USB protocol. A simple Put/Get interface is implemented to allow most of the USB processing to take place in the background within the USB interrupt service routine. Applications are encouraged to use the provided libraries during both enumeration and configured operation.

## 10.3 Introduction

The USB peripheral module supports Low Speed control and interrupt (IN and OUT) transfers. The implementation supports 3 endpoint numbers (0, 1, 2) for a total of 6 endpoints.

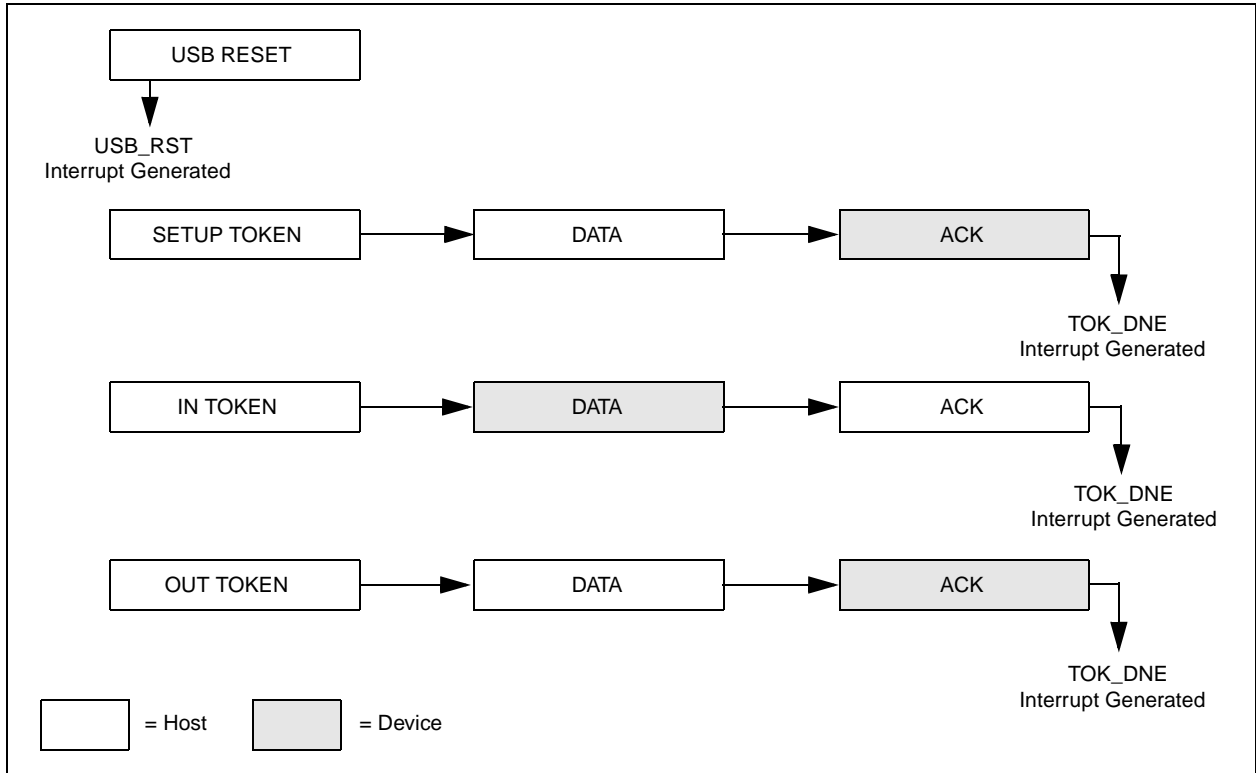
The following terms are used in the description of the USB module:

- MCU - The core processor and corresponding firmware
- SIE - Serial Interface Engine: That part of the USB that performs functions such as CRC generation and clocking of the D+ and D- signals.
- USB - The USB module including SIE and registers
- Bit Stuffing - forces insertion of a transition on D+ and D- to maintain clock synchronization
- BD - Buffer Descriptor
- BDT - Buffer Descriptor Table
- EP - Endpoint (combination of endpoint number and direction)
- IN - Packet transfer into the host
- OUT - Packet transfer out of the host

## 10.4 USB Transaction

When the USB transmits or receives data the SIE will first check that the corresponding endpoint and direction Buffer Description UOWN bit equals 1. The USB will move the data to or from the corresponding buffer. When the TOKEN is complete, the USB will update the BD status and change the UOWN bit to 0. The USTAT register is updated and the TOK\_DNE interrupt is set. When the MCU processes the TOK\_DNE interrupt it reads the USTAT register, which gives the MCU the information it needs to process the endpoint. At this point the MCU will process the data and set the corresponding UOWN bit. Figure 10-1 shows a time line of how a typical USB token would be processed.

**FIGURE 10-1: USB TOKENS**



# PIC16C745/765

## 10.5 USB Register Map

The USB Control Registers, Buffer Descriptors and Buffers are located in Bank 3.

### 10.5.1 CONTROL AND STATUS REGISTERS

The USB module is controlled by 7 registers, plus those that control each endpoint and endpoint/direction buffer.

#### 10.5.1.1 USB Interrupt Register (UIR)

The USB Interrupt Status Register (UIR) contains flag bits for each of the interrupt sources within the USB. Each of these bits are qualified with their respective interrupt enable bits (see the Interrupt Enable Register UIE). All bits of the register are logically OR'ed together to form a single interrupt source for the microprocessor interrupt found in PIR1 (USBIF). Once an interrupt bit has been set, it must be cleared by writing a 0.

### REGISTER 10-1: USB INTERRUPT FLAGS REGISTER (UIR: 190h)

| U-0  | U-0 | R/C-0 | R/C-0 | R/C-0   | R/C-0    | R/C-0 | R/C-0   |      |
|------|-----|-------|-------|---------|----------|-------|---------|------|
| —    | —   | STALL | IDLE  | TOK_DNE | ACTIVITY | UERR  | USB_RST |      |
| bit7 |     |       |       |         |          |       |         | bit0 |

R = Readable bit  
 C = Clearable bit  
 U = Unimplemented bit, read as '0'  
 -n = Value at POR reset

bit 7-6: **Unimplemented:** Read as '0'.

bit 5: **STALL:** A STALL handshake was sent by the SIE.

bit 4: **IDLE:** This bit is set if the USB has detected a constant idle on the USB bus signals for 3 ms. The idle timer is reset by activity on the USB bus. Once a IDLE condition has been detected, the user may wish to place the USB module in SUSPEND by setting the SUSPEND bit in the UCTRL register.

bit 3: **TOK\_DNE:** This bit is set when the current token being processed is complete. The microprocessor should immediately read the USTAT register to determine the Endpoint number and direction used for this token. Clearing this bit causes the USTAT register to be cleared or the USTAT holding register to be loaded into the STAT register if another token has been processed.

bit 2: **ACTIVITY:** Activity on the D+/D- lines will cause the SIE to set this bit. Typically this bit is unmasked following detection of SLEEP. Users must enable the activity interrupt in the USB Interrupt Register (UIE: 191h) prior to entering suspend.

bit 1: **UERR:** This bit is set when any of the error conditions within the ERR\_STAT register has occurred. The MCU must then read the ERR\_STAT register to determine the source of the error.

bit 0: **USB\_RST:** This bit is set when the USB has decoded a valid USB reset. This will inform the MCU to write 00h into the address register and enable endpoint 0. USB\_RST is set once a USB reset has been detected for 2.5 microseconds. It will not be asserted again until the USB reset condition has been removed, and then reasserted.

**Note 1:** Bits can only be modified when UCTRL.SUSPND = 0.

## 10.5.1.2 USB Interrupt Enable Register (UIE)

The USB Interrupt Enable Register (UIE) contains enable bits for each of the interrupt sources within the USB. Setting any of these bits will enable the respective interrupt source in the UIR register. The values in the UIE register only affect the propagation of an interrupt condition to the PIE1 register. Interrupt conditions can still be polled and serviced.

### REGISTER 10-2: USB INTERRUPT ENABLE REGISTER (UIE: 191h)

| U-0  | U-0 | R/W-0 | R/W-0 | R/W-0   | R/W-0    | R/W-0 | R/W-0   |
|------|-----|-------|-------|---------|----------|-------|---------|
| —    | —   | STALL | IDLE  | TOK_DNE | ACTIVITY | UERR  | USB_RST |
| bit7 |     |       |       |         |          |       | bit0    |

R = Readable bit  
 W = Writable bit  
 U = Unimplemented bit, read as '0'  
 -n = Value at POR reset

bit 7-6: **Unimplemented:** Read as '0'.

bit 5: **STALL:** Set to enable STALL interrupts.  
 1 = STALL interrupt enabled  
 0 = STALL interrupt disabled

bit 4: **IDLE:** Set to enable IDLE interrupts.  
 1 = IDLE interrupt enabled  
 0 = IDLE interrupt disabled

bit 3: **TOK\_DNE:** Set to enable TOK\_DNE interrupts.  
 1 = TOK\_DNE interrupt enabled  
 0 = TOK\_DNE interrupt disabled

bit 2<sup>(1)</sup>: **ACTIVITY:** Set to enable ACTIVITY interrupts.  
 1 = ACTIVITY interrupt enabled  
 0 = ACTIVITY interrupt disabled

bit 1: **UERR:** Set to enable ERROR interrupts.  
 1 = ERROR interrupt enabled  
 0 = ERROR interrupt disabled

bit 0: **USB\_RST:** Set to enable USB\_RST interrupts.  
 1 = USB\_RST interrupt enabled  
 0 = USB\_RST interrupt disabled

**Note 1:** This interrupt is the only interrupt active during UCTRL suspend = 1.

# PIC16C745/765

## 10.5.1.3 USB Error Interrupt Status Register (UEIR)

The USB Error Interrupt Status Register (UEIR) contains bits for each of the error sources within the USB. Each of these bits are enabled by their respective error enable bits (UEIE). The result is OR'ed together and sent to the ERROR bit of the UIR register. Once an

interrupt bit has been set it must be cleared by writing a zero to the respective interrupt bit. Each bit is set as soon as the error condition is detected. Thus, the interrupt will typically not correspond with the end of a token being processed.

### REGISTER 10-3: USB ERROR INTERRUPT FLAGS STATUS REGISTER (UEIR: 192h)

| R/C-0   | R/C-0   | R/C-0   | R/C-0   | R/C-0 | R/C-0 | R/C-0 | R/C-0   |
|---------|---------|---------|---------|-------|-------|-------|---------|
| BTS_ERR | OWN_ERR | WRT_ERR | BTO_ERR | DFN8  | CRC16 | CRC5  | PID_ERR |
|         |         |         |         |       |       |       | bit0    |
| bit7    |         |         |         |       |       |       |         |

R = Readable bit  
 C = Clearable bit  
 U = Unimplemented bit, read as '0'  
 -n = Value at POR reset

bit 7: **BTS\_ERR:** A bit stuff error has been detected.

bit 6: **OWN\_ERR:** This bit is set if the USB is processing a token and the OWN bit within the BDT is equal to 0 (signifying that the microprocessor owns the BDT and the SIE does not have access to the BDT). If processing an IN TOKEN this would cause a transmit data underflow condition. Processing an OUT or SETUP TOKEN would cause a receive data overflow condition.

bit 5: **WRT\_ERR:** Write Error. A write by the MCU to the USB Buffer Descriptor Table or Buffer area was unsuccessful.

bit 4: **BTO\_ERR:** This bit is set if a bus turnaround time-out error has occurred. This USB uses a bus turnaround timer to keep track of the amount of time elapsed between the token and data phases of a SETUP or OUT TOKEN or the data and handshake phases of a IN TOKEN. If more than 17-bit times are counted from the previous EOP before a transition from IDLE, a bus turnaround time-out error will occur.

bit 3: **DFN8:** The data field received was not 8 bits. The USB Specification 1.1 specifies that data field must be an integral number of bytes. If the data field was not an integral number of bytes this bit will be set.

bit 2: **CRC16:** The CRC16 failed.

bit 1: **CRC5:** This interrupt will detect CRC5 error in the token packets generated by the host. If set the token packet was rejected due to a CRC5 error.

bit 0: **PID\_ERR:** The PID check field failed.

**Note 1:** Bits can only be modified when UCTRL.SUSPND = 0.

## 10.5.1.4 Error Interrupt Enable Register (UEIE)

The USB Error Interrupt Enable Register (UEIE) contains enable bits for each of the error interrupt sources within the USB. Setting any of these bits will enable the respective error interrupt source in the UEIR register.

### REGISTER 10-4: USB ERROR INTERRUPT ENABLE REGISTER (UEIE: 193h)

| R/W-0   | R/W-0   | R/W-0   | R/W-0   | R/W-0 | R/W-0 | R/W-0 | R/W-0   |  |
|---------|---------|---------|---------|-------|-------|-------|---------|--|
| BTS_ERR | OWN_ERR | WRT_ERR | BTO_ERR | DFN8  | CRC16 | CRC5  | PID_ERR |  |
|         |         |         |         |       |       |       | bit0    |  |
| bit7    |         |         |         |       |       |       |         |  |

R = Readable bit  
W = Writable bit  
U = Unimplemented bit, read as '0'  
-n = Value at POR reset

bit 7: **BTS\_ERR:** Set this bit to enable BTS\_ERR interrupts.  
1 = BTS\_ERR interrupt enabled  
0 = BTS\_ERR interrupt disabled

bit 6: **OWN\_ERR:** Set this bit to enable OWN\_ERR interrupts.  
1 = OWN\_ERR interrupt enabled  
0 = OWN\_ERR interrupt disabled

bit 5: **WRT\_ERR:** Set this bit to enable WRT\_ERR interrupts.  
1 = WRT\_ERR interrupt enabled  
0 = WRT\_ERR interrupt disabled

bit 4: **BTO\_ERR:** Set this bit to enable BTO\_ERR interrupts.  
1 = BTO\_ERR interrupt enabled  
0 = BTO\_ERR interrupt disabled

bit 3: **DFN8:** Set this bit to enable DFN8 interrupts.  
1 = DFN8 interrupt enabled  
0 = DFN8 interrupt disabled

bit 2: **CRC16:** Set this bit to enable CRC16 interrupts.  
1 = CRC16 interrupt enabled  
0 = CRC16 interrupt disabled

bit 1: **CRC5:** Set this bit to enable CRC5 interrupts.  
1 = CRC5 interrupt enabled  
0 = CRC5 interrupt disabled

bit 0: **PID\_ERR:** Set this bit to enable PID\_ERR interrupts.  
1 = PID\_ERR interrupt enabled  
0 = PID\_ERR interrupt disabled

# PIC16C745/765

## 10.5.1.5 Status Register (USTAT)

The USB Status Register reports the transaction status within the USB. When the MCU recognizes a TOK\_DNE interrupt, this register should be read to determine the status of the previous endpoint communication. The data in the status register is valid when the TOK\_DNE interrupt bit is asserted.

The USTAT register is actually a read window into a status FIFO maintained by the USB. When the USB uses a BD, it updates the status register. If another

USB transaction is performed before the TOK\_DNE interrupt is serviced the USB will store the status of the next transaction in the STAT FIFO. Thus, the STAT register is actually a four byte FIFO which allows the MCU to process one transaction while the SIE is processing the next. Clearing the TOK\_DNE bit in the INT\_STAT register causes the SIE to update the STAT register with the contents of the next STAT value. If the data in the STAT holding register is valid, the SIE will immediately reassert the TOK\_DNE interrupt.

### REGISTER 10-5: USB STATUS REGISTER (USTAT: 194h)

| U-0  | U-0 | U-0 | R-X   | R-X   | R-X | U-0 | U-0 |      |
|------|-----|-----|-------|-------|-----|-----|-----|------|
| —    | —   | —   | ENDP1 | ENDP0 | IN  | —   | —   |      |
| bit7 |     |     |       |       |     |     |     | bit0 |

R = Readable bit  
W = Writable bit  
U = Unimplemented bit, read as '0'  
-n = Value at POR reset  
X = Don't care

bit 7-5: **Unimplemented:** Read as '0'.

bit 4-3: **ENDP<1:0>:** These bits encode the endpoint address that received or transmitted the previous token. This allows the microprocessor to determine which BDT entry was updated by the last USB transaction.

bit 2: **IN:** This bit indicates the direction of the last BD that was updated.  
1 = The last transaction was an IN TOKEN  
0 = The last transaction was an OUT or SETUP TOKEN

bit 1-0: **Unimplemented:** Read as '0'.



## 10.5.1.6 USB Control Register (UCTRL)

The control register provides various control and configuration information for the USB.

### REGISTER 10-6: USB CONTROL REGISTER (UCTRL: 195h)

| U-0  | U-0 | R-X | R/C-0   | R/W-0      | R/W-0  | R/W-0  | U-0  |
|------|-----|-----|---------|------------|--------|--------|------|
| —    | —   | SE0 | PKT_DIS | Config_Bit | RESUME | SUSPND | —    |
| bit7 |     |     |         |            |        |        | bit0 |

R = Readable bit  
W = Writable bit  
C = Clearable bit  
U = Unimplemented bit, read as '0'  
-n = Value at POR reset  
X = Don't care

bit 7-6: **Unimplemented:** Read as '0'.

bit 5: **SE0:** Live Single Ended Zero. This status bit indicates that the D+ and D- lines are both pulled to low.  
1 = single ended zero being received  
0 = single ended zero not being received

bit 4: **PKT\_DIS:** The PKT\_DIS bit informs the MCU that the SIE has disabled packet transmission and reception. Clearing this bit allows the SIE to continue token processing. This bit is set by the SIE when a Setup Token is received allowing software to dequeue any pending packet transactions in the BDT before resuming token processing. The PKT\_DIS bit is set under certain conditions such as back to back SETUP tokens. This bit is not set on every SETUP token and can be modified only when UCTRL.SUSPND = 0.

bit 3: **Config\_Bit:** Configuration bit used by firmware during enumeration.

bit 2: **RESUME:** Setting this bit will allow the USB to execute resume signaling. This will allow the USB to perform remote wake-up. Software must set RESUME to 1 for 10 mS then clear it to 0 to enable remote wake-up. For more information on RESUME signaling, see Section 7.1.7.5, 11.9 and 11.4.4 in the USB 1.1 specification.  
1 = perform Resume signaling  
0 = normal operation

bit 1: **SUSPND:** Suspends USB operation and clocks and places the module in low power mode. This bit will generally be set in response to a UIDLE interrupt. It will generally be reset after an ACTIVITY interrupt. The VUSB pin will still be driven, however the transceiver outputs are disabled.  
1 = USB module in power conserve mode  
0 = USB module normal operation

bit 0: **Unimplemented:** Read as '0'.

# PIC16C745/765

## 10.5.1.7 USB Address Register (UADDR)

The Address Register (UADDR) contains the unique USB address that the USB will decode. The register is reset to 00h after the reset input has gone active or the USB has decoded a USB reset signaling. That will initialize the address register to decode address 00h as required by the USB specification. The USB address must be written by the MCU during the USB SETUP phase.

### REGISTER 10-7: USB ADDRESS REGISTER (UADDR: 196h)

|      |       |       |       |       |       |       |       |
|------|-------|-------|-------|-------|-------|-------|-------|
| U-0  | R/W-0 | R/W-0 | R/W-0 | R/W-0 | R/W-0 | R/W-0 | R/W-0 |
| —    | ADDR6 | ADDR5 | ADDR4 | ADDR3 | ADDR2 | ADDR1 | ADDR0 |
| bit7 |       |       |       |       |       |       | bit0  |

bit 7: **Unimplemented:** Read as '0'.

bit 6-0: **ADDR<6:0>:** This 7-bit value defines the USB address that the USB will decode.

R = Readable bit  
W = Writable bit  
U = Unimplemented bit, read as '0'  
-n = Value at POR reset

## 10.5.1.8 USB Software Status Register

This register is used by the USB firmware libraries for USB status.

### REGISTER 10-8: RESERVED SOFTWARE LIBRARY REGISTER (USWSTAT: 197H):.

|              |       |       |       |       |       |                      |       |
|--------------|-------|-------|-------|-------|-------|----------------------|-------|
| R/W-0        | R/W-0 | R/W-0 | R/W-0 | R/W-0 | R/W-0 | R/W-0                | R/W-0 |
| 7            | 6     | 5     | 4     | 3     | 2     | 1                    | 0     |
| Function IDs |       |       |       |       |       | Configuration Status |       |

R = Readable bit  
W = Writable bit  
U = Unimplemented bit, read as '0'  
-n = Value at POR reset

## 10.5.1.9 Endpoint Registers

Each endpoint is controlled by an Endpoint Control Register. The PIC16C745/765 supports Buffer Descriptors (BD) for the following endpoints:

- EP0 Out
- EP0 In
- EP1 Out
- EP1 In
- EP2 Out
- EP2 In

The user will be required to disable unused Endpoints and directions using the Endpoint Control Registers.

## 10.5.1.10 USB Endpoint Control Register (EPCn)

The Endpoint Control Registers contains the endpoint control bits for each of the 6 endpoints available on USB for a decoded address. These four bits define the control necessary for any one endpoint. Endpoint 0 (ENDP0) is associated with control pipe 0 which is required by USB for all functions (IN, OUT, and SETUP). Therefore, after a USB\_RST interrupt has been received the microprocessor should set ENDPT0 to contain 06h.

### REGISTER 10-9: USB ENDPOINT CONTROL REGISTER (UEPn: 198H-19Ah)

|      |     |     |     |            |           |          |          |
|------|-----|-----|-----|------------|-----------|----------|----------|
| U-0  | U-0 | U-0 | U-0 | R/W-0      | R/W-0     | R/W-0    | R/W-0    |
| —    | —   | —   | —   | EP_CTL_DIS | EP_OUT_EN | EP_IN_EN | EP_STALL |
| bit7 |     |     |     | bit0       |           |          |          |

R = Readable bit  
W = Writable bit  
U = Unimplemented bit, read as '0'  
-n = Value at POR reset

bit 7-4: **Unimplemented:** Read as '0'.

bit 3-1: **EP\_CTL\_DIS, EP\_OUT\_EN, EP\_IN\_EN:** These three bits define if an endpoint is enabled and the direction of the endpoint. The endpoint enable/direction control is defined as follows:

| EP_CTL_DIS | EP_OUT_EN | EP_IN_EN | Endpoint Enable/Direction Control             |
|------------|-----------|----------|---|
| X          | 0         | 0        | Disable Endpoint                              |
| X          | 0         | 1        | Enable Endpoint for IN tokens only            |
| X          | 1         | 0        | Enable Endpoint for OUT tokens only           |
| 1          | 1         | 1        | Enable Endpoint for IN and OUT tokens         |
| 0          | 1         | 1        | Enable Endpoint for IN, OUT, and SETUP tokens |

bit 0: **EP\_STALL:** When this bit is set it indicates that the endpoint is stalled. This bit has priority over all other control bits in the Endpoint Enable register, but is only valid if EP\_IN\_EN=1 or EP\_OUT\_EN=1. Any access to this endpoint will cause the USB to return a STALL handshake. The EP\_STALL bit can be set or cleared by the SIE. Refer to the USB 1.1 Specification, Sections 4.4.4 and 8.5.2 for more details on the STALL protocol.

## 10.6 Buffer Descriptor Table (BDT)

To efficiently manage USB endpoint communications the USB implements a Buffer Descriptor Table (BDT) in register space. Every endpoint requires a 4 byte Buffer Descriptor (BD) entry. Because the buffers are shared between the MCU and the USB, a simple semaphore mechanism is used to distinguish which is allowed to update the BD and buffers in system memory. The UOWN bit is cleared when the BD entry is "owned" by the MCU. When the UOWN bit is set to 1, the BD entry and the buffer in system memory is owned by the USB. The MCU should not modify the BD or its corresponding data buffer.

The Buffer Descriptors provide endpoint buffer control information for the USB and MCU. The Buffer Descriptors have different meaning based on the value of the UOWN bit.

The USB Controller uses the data stored in the BDs when UOWN = 1 to determine:

- Data0 or Data1 PID
- Data toggle synchronization enable
- Number of bytes to be transmitted or received
- Starting location of the buffer

The MCU uses the data stored in the BDs when UOWN = 0 to determine:

- Data0 or Data1 PID
- The received TOKEN PID
- Number of bytes transmitted or received

Each endpoint has a 4 byte Buffer Descriptor and points to a data buffer in the USB dual port register space. Control of the BD and buffer would typically be handled in the following fashion:

- The MCU verifies UOWN = 0, sets the BDndAL to point to the start of a buffer, if necessary fills the buffer, then sets the BDndST byte to the desired value with UOWN = 1.
- When the host commands an in or out transaction, the Serial Interface Engine (SIE) performs the following:
  - Get the buffer address
  - Read or write the buffer
  - Update the USTAT register
  - Update the buffer descriptors with the packet ID (PID) value
  - Set the data 0/1 bit
  - Update the byte count
  - Clear the UOWN bit
- The MCU is interrupted and reads the USTAT, translates that value to a BD, where the UOWN, PID, Data 0/1, and byte count values are checked.

## REGISTER 10-10: BUFFER DESCRIPTOR STATUS REGISTER. BITS WRITTEN BY THE MCU (BDnST: 1A0h, 1A4h, 1A8h, 1ACh, 1B0h, 1B4h)

| W-X  | W-X     | U-X | U-X | W-X | W-X    | U-X | U-X  |
|------|---------|-----|-----|-----|--------|-----|------|
| UOWN | DATA0/1 | —   | —   | DTS | BSTALL | —   | —    |
| bit7 |         |     |     |     |        |     | bit0 |

R = Readable bit  
W = Writable bit  
U = Unimplemented bit, read as '0'  
-n = Value at POR reset  
X = Don't care

bit 7: **UOWN:** USB Own. This UOWN bit determines who currently owns the buffer. The SIE writes a 0 to this bit when it has completed a token. This byte of the BD should always be the last byte the MCU updates when it initializes a BD. Once the BD has been assigned to the USB, the MCU should not change it in any way.  
1 = USB has exclusive access to the BD. The MCU should not modify the BD or buffer.  
0 = The MCU has exclusive access to the BD. The USB ignores all other fields in the BD.

bit 6: **DATA0/1:** This bit defines the type of data toggle packet that was transmitted or received.  
1 = Data 1 packet  
0 = Data 0 packet

bit 5-4: **Reserved:** Read as 'X'.

bit 3: **DTS:** Setting this bit will enable the USB to perform Data Toggle Synchronization. If a packet arrives with an incorrect DTS, it will be ignored and the buffer will remain unchanged.  
1 = Data Toggle Synchronization is performed  
0 = No Data Toggle Synchronization is performed

bit 2: **BSTALL:** Buffer Stall. Setting this bit will cause the USB to issue a STALL handshake if a token is received by the SIE that would use the BD in this location. The BD is not consumed by the SIE (the own bit remains and the rest of the BD are unchanged) when a BSTALL bit is set.

bit 1-0: **Reserved:** Read as 'X'.

**Note:** Recommend that users not use BSF, BCF due to the dual functionality of this register.

## REGISTER 10-11: BUFFER DESCRIPTOR STATUS. BITS READ BY THE MCU. (BDnST: 1A0h, 1A4h, 1A8h, 1ACh, 1B0h, 1B4h)

| R/W-0 | R/W-X   | R/W-X | R/W-X | R/W-X | R/W-X | U-X  | U-X |
|-------|---------|-------|-------|-------|-------|------|-----|
| UOWN  | DATA0/1 | PID3  | PID2  | PID1  | PID0  | —    | —   |
| bit7  |         |       |       |       |       | bit0 |     |

R = Readable bit  
W = Writable bit  
U = Unimplemented bit, read as '0'  
-n = Value at POR reset  
X = Don't care

bit 7: **UOWN:** USB Own. This UOWN bit determines who currently owns the buffer. The SIE writes a 0 to this bit when it has completed a token. This byte of the BD should always be the last byte the MCU updates when it initializes a BD. Once the BD has been assigned to the USB, the MCU should not change it in any way.  
1 = USB has exclusive access to the BD. The MCU should not modify the BD or buffer.  
0 = The MCU has exclusive access to the BD. The USB ignores all other fields in the BD.

bit 6: **DATA0/1:** This bit defines the type of data toggle packet that was transmitted or received.  
1 = Data 1 packet  
0 = Data 0 packet

bit 5-2: **PID<3:0>:** Packet Identifier. The received token PID value

bit 1-0: **Reserved:** Read as 'X'.

**Note:** Recommend that users not use BSF, BCF due to the dual functionality of this register.

# PIC16C745/765

## REGISTER 10-12: BUFFER DESCRIPTOR BYTE COUNT (BDnBC: 1A1h, 1A5h, 1A9h, 1ADh, 1B1h, 1B5h))

|      |     |     |     |       |       |       |       |
|------|-----|-----|-----|-------|-------|-------|-------|
| U-X  | U-X | U-X | U-X | R/W-X | R/W-X | R/W-X | R/W-X |
| —    | —   | —   | —   | BC3   | BC2   | BC1   | BC0   |
| bit7 |     |     |     | bit0  |       |       |       |

R = Readable bit  
W = Writable bit  
U = Unimplemented bit, read as '0'  
-n = Value at POR reset  
X = Don't care

bit 7-4: **Reserved:** Read as 'X'.

bit 3-0: **BC<3:0>**: The Byte Count bits represent the number of bytes that will be transmitted for an IN TOKEN or received during an OUT TOKEN. Valid byte counts are 0 - 8. The SIE will change this field upon the completion of an OUT or SETUP token with the actual byte count of the data received.

## REGISTER 10-13: BUFFER DESCRIPTOR ADDRESS LOW (BDnDAL: 1A2h, 1A6h, 1AAh, 1AEh, 1B2h, 1B6h)

|       |       |       |       |       |       |       |       |
|-------|-------|-------|-------|-------|-------|-------|-------|
| R/W-X | R/W-X | R/W-X | R/W-X | R/W-X | R/W-X | R/W-X | R/W-X |
| BA7   | BA6   | BA5   | BA4   | BA3   | BA2   | BA1   | BA0   |
| bit7  |       |       |       | bit0  |       |       |       |

R = Readable bit  
W = Writable bit  
U = Unimplemented bit, read as '0'  
-n = Value at POR reset  
X = Don't care

bit 7-0: **BA<7:0>**: Buffer Address. The base address of the buffer controlled by this endpoint. The upper order bit address (BA8) of the 9-bit address is assumed to be 1h. This value must point to a location within the dual port memory space (1B8h - 1DFh). The upper order bits of the address are assumed to point to Bank 3.

**Note 1:** This register should always contain a value between B8h-DFh.

### 10.6.1 ENDPOINT BUFFERS

Endpoint buffers are located in the Dual Port RAM area. The starting location of an endpoint buffer is determined by the Buffer Descriptor.

### 10.7 TRANSCEIVER

An on-chip integrated transceiver is included to drive the D+/D- physical layer of the USB.

#### 10.7.1 REGULATOR

A 3.3V regulator provides the D+/D- drives with power. A ±20% 10nF capacitor is required on VUSB for regulator stability.

#### 10.7.1.1 VUSB Output

The VUSB provides a 3.3V nominal output. This drive current is sufficient for a pull-up only.

### 10.8 USB Software Libraries

Microchip Technology provides a comprehensive set of Chapter 9 Standard requests functions to aid developers in implementing their designs. See Microchip Technology's website for the latest version of the software libraries.

**TABLE 10-1: USB PORT FUNCTIONS**

| Name | Function | Input Type | Output Type | Description               |
|------|----------|------------|-------------|---------------------------|
| VUSB | VUSB     | —          | Power       | 3.3V for pull up resistor |
| D-   | D-       | USB        | USB         | USB Differential Bus      |
| D+   | D+       | USB        | USB         | USB Differential Bus      |

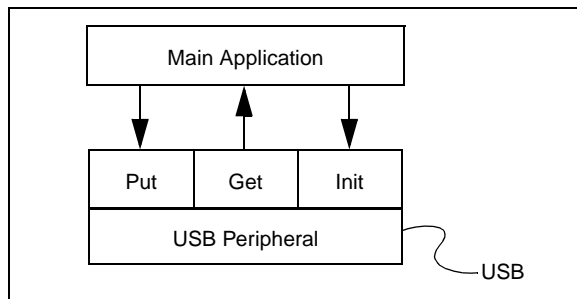
Legend: OD = open drain, ST = Schmitt Trigger

## 10.9 USB Firmware Users Guide

### 10.9.1 INTRODUCING THE USB SOFTWARE INTERFACE

Microchip provides a layer of software that handles the lowest level interface so your application won't have to. This provides a simple Put/Get interface for communication. Most of the USB processing takes place in the background through the Interrupt Service Routine. From the application viewpoint, the enumeration process and data communication takes place without further interaction.

**FIGURE 10-2: USB SOFTWARE INTERFACE**



### 10.9.2 INTEGRATING USB INTO YOUR APPLICATION

The latest version of the USB interface software is available on Microchip Technology's website. See <http://www.microchip.com/>

Communicating on USB is similar to communicating via a hardware USART. The main difference is that a USART typically works on a single byte at a time, where USB operates on a buffer of up to 8 bytes at a time.

There is one function defined to start the enumeration process and two additional functions are defined for moving buffers between the main application and the USB peripheral. InitUSB initializes the USB peripheral allowing the host to enumerate the device. Then for normal data communications, function PutUSB sends data to the host and function GetUSB receives data from the host.

There's a lot that happens behind the scenes to make the communication work, but these calls are all an application needs to communicate on the bus. The rest is handled on an interrupt basis.

InitUSB initializes the Buffer Descriptor table, and enables the USB interrupt so enumeration can begin. The actual enumeration process occurs automatically, driven by the host and interrupt service routine. The macro ConfiguredUSB waits until the device is in the CONFIGURED mode and ready to go. The time required to enumerate is completely dependent on the host and bus loading.

### 10.9.3 INTERRUPT STRUCTURE CONCERNS

#### 10.9.3.1 Processor Resources

Most of the USB processing occurs via the interrupt and thus is invisible to application. However it still consumes processor resources. These include ROM, RAM, Common RAM, Stack Levels and processor cycles. This section attempts to quantify the impact on each of these resources, and shows ways to avoid conflicts.

These are the considerations you'll need to take into account if you write your own Interrupt Service Routine: Save W, Status, FSR and PCLATH which are the file registers that may be corrupted by servicing the USB interrupt.

We provide a skeleton ISR which will do this for you, and includes tests for each of the possible ISR bits. This provides a good place to start from if you haven't already written your own. See file USB\_INT.ASM.

#### 10.9.3.2 Stack Levels

The hardware stack on the device is only 8 levels deep. So the worst case call between the application and ISR can only be 8 levels. The enumeration process requires 6 levels, so it's best if the main application holds off on any processing until enumeration is complete. ConfiguredUSB is a macro that waits until the enumeration process is complete for exactly this purpose.

#### 10.9.3.3 ROM

The code required to support the USB interrupt, including the chapter 9 interface calls, but not including the descriptor tables is about 1kW. The descriptor and string descriptor tables can each take up to an additional 256W. The location of these parts is not restricted, and the linker script may be edited to control the placement of each part. See the Strings and Descriptors sections in the linker script

#### 10.9.3.4 RAM

With the exception of Common RAM discussed below, servicing the USB interrupt costs ~40 bytes of RAM in Bank 2. That leaves all the General Purpose RAM in banks zero and one, plus half of bank two available for your application to use.

#### 10.9.3.5 Common RAM usage

The PIC16C745/765 has 16 bytes of common RAM. These are the last 16 addresses in each bank and all refer to the same 16 bytes of memory without regard to which register bank is currently addressed by the RP0 and RP1 bits.

These are particularly useful when responding to interrupts. When an interrupt occurs, the ISR doesn't immediately know which bank is addressed. With devices that don't support common RAM, the W regis-

ter must be provided for in each bank. The 16C745/765 can save the appropriate registers in Common RAM and not have to waste a byte in each bank for W register.

## 10.9.3.6 Buffer allocation

The PIC16C745/765 has 64 bytes of Dual Port RAM. 24 are used for the Buffer Descriptor Table (BDT) leaving 40 bytes for buffers.

Endpoint 0 IN and OUT need dedicated buffers since a setup transaction can never be NAKed. That leaves three buffers for four possible Endpoints. But the USB spec requires that low speed devices are only allowed 2 endpoints (USB 1.1 paragraph 5.3.1.2), where an endpoint is a simplex connection that defined by the combination of Endpoint number and direction.

The default configuration allocates individual buffers to EP0 OUT, EP0 In, EP1 Out, and EP1 In. The last buffer is shared between EP2 In and EP2 Out. Again, the spec says low speed devices can only use 2 endpoints beyond EP0. This configuration supports most of the possible combinations of endpoints (EP1 OUT and EP1 IN, EP1OUT and EP2IN, EP1 OUT and EP2 OUT, EP1 IN and EP2 OUT, EP1 IN and EP2 IN). The only combination that is not supported by this configuration is Endpoint 2 IN and Endpoint 2 OUT. If your application needs both EP2 IN and EP2 OUT, the function USBReset will need to be edited to give each of these dedicated buffers at the expense of EP1.

## 10.9.4 FUNCTION CALL REFERENCE

Interface between the Application and Protocol layer takes place in three main functions: **InitUSB**, **PutUSB** and **GetUSB**.

**InitUSB** should be called by the main program immediately upon power-up. It sets up the Buffer Descriptor Table, transitions the part to the Powered state, and prepares the device for enumeration. At this point the USB Reset is the only USB interrupt allowed, preventing the part from responding to anything on the bus until it's been reset. The USB Reset interrupt transitions the part to the default state where it responds to commands on address zero. When it receives a SET ADDRESS command, the device transitions to the addressed state and now responds to commands on the new address.

**PutUSB** (Buffer pointer, Buffer size, Endpoint) sends data up to the host. The pointer to the block of data to transmit, is in the FSR/IRP, and the block size and endpoint is passed in W register. If the IN buffer is available for that endpoint, the block of data is copied to the buffer, then the Data 0/1 bit is flipped and the owns bit is set. A buffer not available would occur when it has been previously loaded and the host has not requested that the USB peripheral transmit it. In this case, a failure code would be returned so the application can try again later.

**GetUSB** (Buffer Pointer, Endpoint) returns data sent from the host. If there is a buffer ready (i.e., data has been received from the host) it is copied to the destination pointed to by FSR/IRP (A buffer pointer in FSF/IRP and the endpoint number in W must be provided.). If no data is available, it returns a failure code. Thus, the functions of polling for buffer ready and copying the data are combined into the one function.

**ServiceUSBInt** handles all interrupts generated by the USB peripheral. First it copies the active buffer to common RAM which provides a quick turn around on the buffer in dual port RAM and also to avoids having to switch banks during processing of the buffer.

**StallUSBEP/UnstallUSBEP** sets or clears the stall bit in the endpoint control register. The stall bit indicates to the host that user intervention is required and until such intervention is made, further attempts to communicate with the endpoint will not be successful. Once the user intervention has been made, UnstallUSBEP will clear the bit allowing communications to take place. These calls are useful to signal to the host that user intervention is required. An example of this might be a printer out of paper.

**CheckSleep** Tests the UCTRL.IDLE bit if set, indicating that there has been no activity on the bus for 3 mS, puts the device to sleep. This puts the part into a low power standby mode until awakened by bus activity. This has to be handled outside the ISR because we need the interrupt to wake us from sleep, and also because the application may not be ready to sleep when the interrupt occurs. Instead, the application should periodically call this function to poll the bit when the device is in a good place to sleep.

Prior to putting the device to sleep, it enables the activity interrupt so the device will be awakened by the first transition on the bus. The device will immediately jump to the ISR, recognizing the activity interrupt, which then disables the interrupt and resumes processing with the instruction following the CheckSleep call.

**ConfiguredUSB** (Macro) Continuously polls the enumeration status bits and waits until the device has been configured by the host.

## 10.9.5 BEHIND THE SCENES

The ISR calls ServiceUSBInt, which then further has to mask the USB Interrupt register with the USB Interrupt Enable bits, then see what caused the interrupt. InitUSB only enables the Reset interrupt (USB\_RST). This prevents the device from responding to anything on the bus until it's been reset by the host. When the reset is received, the Buffer Descriptors are initialized, most of the rest of the interrupts are unmasked and the device transitions from the POWERED to DEFAULT state. Now it can respond to commands on address zero. From there the rest of the enumeration process takes place, including assigning an address to the device through the SET\_ADDRESS command and selecting a configuration through the



SET\_CONFIGURATION command. Once the device is configured, the application can communicate with the host using the GetUSB and PutUSB calls.

The USB peripheral detects several different errors and handles most internally. The USB\_ERR interrupt notifies the microcontroller that an error has occurred. No action is required by the device when an error occurs. Instead the errors are simply acknowledged and counted. There is no mechanism to pull the device off the bus if there are too many errors. If this behavior is desired it must be implemented in the application.

The Activity interrupt is left disabled until the USB peripheral detects no bus activity for 3 mS. Then it suspends the USB peripheral and enables the activity interrupt. The activity interrupt then reactivates the USB peripheral when bus activity resumes so processing may continue.

CheckSleep is a separate call that takes the bus idle one step further and puts the device to sleep if the USB peripheral has detected no activity on the bus. This powers down most of the device to minimal current draw. This call should be made at a point in the main loop where all other processing is complete.

## 10.9.6 EXAMPLES

This example shows how the USB functions are used. This example first initializes the USB peripheral which allows the host to enumerate the device. The enumeration process occurs in the background, via an Interrupt service routine. This function waits until enumeration is complete, and then polls EP1 OUT to see if there is any data available. When a buffer is available, it is copied to the IN buffer. Presumably your application would do something more interesting with the data than this example.

```
; *****
; Demo program that initializes the USB peripheral, allows the Host
; to Enumerate, then copies buffers from EP1OUT to EP1IN.
; *****
main
    call    InitUSB          ; Set up everything so we can enumerate
    call    ConfiguredUSB    ; wait here until we have enumerated.

idleloop
    call    CheckSleep       ; Ok, here's a good point to put part to sleep if no activity on the bus.

CheckEPl
    bcf     STATUS,IRP       ; Check Endpoint 1 for an OUT transaction
    movlw  buffer           ; point to lower banks
    movwf  FSR               ; point FSR to our buffer
    movlw  1                 ; check end point 1
    call   GetUSB            ; If data is ready, it will be copied.
    btfss  STATUS,C          ; was there any data for us?
    goto   idleloop         ; Nope, check again.

PutBuffer
    bcf     STATUS,IRP       ; point to lower banks
    movwf  bufferlen        ; save buffer length
    movlw  buffer           ; point FSR to our buffer
    movwf  FSR
    swapf  bufferlen,w      ; upper nybble of W is buffer length
    iorlw  1                 ; lower nybble of W is EndPoint number
    call   PutUSB
    btfss  STATUS,C          ; was it successful?
    goto   PutBuffer        ; No: try again until successful
    goto   idleloop         ; Yes: restart loop

end
```

## 10.9.7 ASSEMBLING THE CODE

The code is designed to be used with the linker. There is no provision for include-able files. The code comes packaged as several different files:

- USB\_CH9.ASM - handles all the Chapter 9 command processing.
- USB\_INTF.ASM - Provides the interface functions PutUSB, GetUSB
- USBMACRO.INC - Macros used by
- USB\_DEFS.INC - #Defines used throughout the code.
- USB\_INT.ASM - Sample interrupt service routine.
- 16C765.LKR - Linker script (provided with MPLAB)

### 10.9.7.1 Assembly Options:

There are two #defines at the top of the code that control assembly options.

### 10.9.7.2 #define ERRORCOUNTERS

This define includes code to count the number of errors that occur, by type of error. This requires extra code and RAM locations to implement the counters.

### 10.9.7.3 #define FUNCTIONIDS

This is useful for debug. It encodes the upper 6 bits of USWSTAT (0x197) to indicate which function is executing.

## 11.0 UNIVERSAL SYNCHRONOUS ASYNCHRONOUS RECEIVER TRANSMITTER (USART)

The Universal Synchronous Asynchronous Receiver Transmitter (USART) module is one of the two serial I/O modules. (USART is also known as a Serial Communications Interface or SCI). The USART can be configured as a full duplex asynchronous system that can communicate with peripheral devices, such as CRT terminals and personal computers, or it can be configured

as a half duplex synchronous system that can communicate with peripheral devices, such as A/D or D/A integrated circuits, Serial EEPROMs etc.

The USART can be configured in the following modes:

- Asynchronous (full duplex)
- Synchronous - Master (half duplex)
- Synchronous - Slave (half duplex)

Bits SPEN (RCSTA<7>) and TRISC<7:6> have to be set in order to configure pins RC6/TX/CK and RC7/RX/DT as the universal synchronous asynchronous receiver transmitter.

**REGISTER 11-1: TRANSMIT STATUS AND CONTROL REGISTER (TXSTA: 98h)**

| R/W-0 | R/W-0 | R/W-0 | R/W-0 | U-0 | R/W-0 | R-1  | R/W-0 |      |
|-------|-------|-------|-------|-----|-------|------|-------|------|
| CSRC  | TX9   | TXEN  | SYNC  | —   | BRGH  | TRMT | TX9D  |      |
| bit7  |       |       |       |     |       |      |       | bit0 |

R = Readable bit  
 W = Writable bit  
 U = Unimplemented bit, read as '0'  
 - n = Value at POR reset

bit 7: **CSRC:** Clock Source Select bit  
Asynchronous mode  
 Don't care  
Synchronous mode  
 1 = Master mode (Clock generated internally from BRG)  
 0 = Slave mode (Clock from external source)

bit 6: **TX9:** 9-bit Transmit Enable bit  
 1 = Selects 9-bit transmission  
 0 = Selects 8-bit transmission

bit 5: **TXEN:** Transmit Enable bit  
 1 = Transmit enabled  
 0 = Transmit disabled  
 Note: SREN/CREN overrides TXEN in SYNC mode.

bit 4: **SYNC:** USART Mode Select bit  
 1 = Synchronous mode  
 0 = Asynchronous mode

bit 3: **Unimplemented:** Read as '0'

bit 2: **BRGH:** High Baud Rate Select bit  
Asynchronous mode  
 1 = High speed  
 0 = Low speed  
Synchronous mode  
 Unused in this mode

bit 1: **TRMT:** Transmit Shift Register Status bit  
 1 = TSR empty  
 0 = TSR full

bit 0: **TX9D:** 9th bit of transmit data. (Can be used for parity.)

# PIC16C745/765

## REGISTER 11-2: RECEIVE STATUS AND CONTROL REGISTER (RCSTA: 18h)

| R/W-0 | R/W-0 | R/W-0 | R/W-0 | U-0 | R-0  | R-0  | R-x  |
|-------|-------|-------|-------|-----|------|------|------|
| SPEN  | RX9   | SREN  | CREN  | —   | FERR | OERR | RX9D |
|       |       |       |       |     |      |      | bit0 |
| bit7  |       |       |       |     |      |      |      |

R = Readable bit  
W = Writable bit  
U = Unimplemented bit, read as '0'  
-n = Value at POR reset

bit 7: **SPEN**: Serial Port Enable bit  
1 = Serial port enabled (Configures RC7/RX/DT and RC6/TX/CK pins as serial port pins)  
0 = Serial port disabled

bit 6: **RX9**: 9-bit Receive Enable bit  
1 = Selects 9-bit reception  
0 = Selects 8-bit reception

bit 5: **SREN**: Single Receive Enable bit  
Asynchronous mode  
Don't care  
Synchronous mode - master  
1 = Enables single receive  
0 = Disables single receive  
This bit is cleared after reception is complete.  
Synchronous mode - slave  
Unused in this mode

bit 4: **CREN**: Continuous Receive Enable bit  
Asynchronous mode  
1 = Enables continuous receive  
0 = Disables continuous receive  
Synchronous mode  
1 = Enables continuous receive until enable bit CREN is cleared (CREN overrides SREN)  
0 = Disables continuous receive

bit 3: **Unimplemented**: Read as '0'

bit 2: **FERR**: Framing Error bit  
1 = Framing error (Can be updated by reading RCREG register and receive next valid byte)  
0 = No framing error

bit 1: **OERR**: Overrun Error bit  
1 = Overrun error (Can be cleared by clearing bit CREN)  
0 = No overrun error

bit 0: **RX9D**: 9th bit of received data. (Can be used for parity.)

## 11.1 USART Baud Rate Generator (BRG)

The BRG supports both the asynchronous and synchronous modes of the USART. It is a dedicated 8-bit baud rate generator. The SPBRG register controls the period of a free running 8-bit timer. In asynchronous mode, bit BRGH (TXSTA<2>) also controls the baud rate. In synchronous mode, bit BRGH is ignored. Table 11-1 shows the formula for computation of the baud rate for different USART modes which only apply in master mode (internal clock).

Given the desired baud rate and FINT, the nearest integer value for the SPBRG register can be calculated using the formula in Table 11-1. From this, the error in baud rate can be determined.

It may be advantageous to use the high baud rate (BRGH = 1) even for slower baud clocks. This is because the  $FINT/(16(X + 1))$  equation can reduce the baud rate error in some cases.

Writing a new value to the SPBRG register causes the BRG timer to be reset (or cleared). This ensures the BRG does not wait for a timer overflow before outputting the new baud rate.

### 11.1.1 SAMPLING

The data on the RC7/RX/DT pin is sampled three times near the center of each bit time by a majority detect circuit to determine if a high or a low level is present at the RX pin.

**TABLE 11-1: BAUD RATE FORMULA**

| SYNC | BRGH = 0 (Low Speed)                            | BRGH = 1 (High Speed)            |
|------|---|----------------------------------|
| 0    | (Asynchronous) Baud Rate = $FINT/(64(SPBRG+1))$ | Baud Rate = $FINT/(16(SPBRG+1))$ |
| 1    | (Synchronous) Baud Rate = $FINT/(4(SPBRG+1))$   | NA                               |

**TABLE 11-2: BAUD RATES FOR SYNCHRONOUS MODE**

| Desired Baud | 4 MHz       |            |       | 6 MHz       |            |       | 24 MHz      |            |       |
|--------------|-------------|------------|-------|-------------|------------|-------|-------------|------------|-------|
|              | Actual Baud | % of Error | SPBRG | Actual Baud | % of Error | SPBRG | Actual Baud | % of Error | SPBRG |
| 300          | —           | —          | —     | —           | —          | —     | —           | —          | —     |
| 1200         | —           | —          | —     | —           | —          | —     | —           | —          | —     |
| 2400         | —           | —          | —     | —           | —          | —     | —           | —          | —     |
| 4800         | 4807.69     | 0.16       | 207   | —           | —          | —     | —           | —          | —     |
| 9600         | 9615.38     | 0.16       | 103   | 9615.38     | 0.16       | 155   | —           | —          | —     |
| 19200        | 19230.77    | 0.16       | 51    | 19230.77    | 0.16       | 77    | —           | —          | —     |
| 38400        | 38461.54    | 0.16       | 25    | 38461.54    | 0.16       | 38    | 38461.54    | 0.16       | 155   |
| 57600        | 58823.53    | 2.12       | 16    | 57692.31    | 0.16       | 25    | 57692.31    | 0.16       | 103   |
| 115200       | 125000.00   | 8.51       | 7     | 115384.62   | 0.16       | 12    | 115384.62   | 0.16       | 51    |
| 230400       | 250000.00   | 8.51       | 3     | 250000.00   | 8.51       | 5     | 230769.23   | 0.16       | 25    |
| 460800       | 500000.00   | 8.51       | 1     | 500000.00   | 8.51       | 2     | 461538.46   | 0.16       | 12    |
| 921600       | —           | —          | —     | —           | —          | —     | 1000000.00  | 8.51       | 5     |

# PIC16C745/765

**TABLE 11-3: BAUD RATES FOR ASYNCHRONOUS MODE (BRGH = 0)**

| Desired Baud | 4 MHz       |            |       | 6 MHz       |            |       | 24 MHz      |            |       |
|--------------|-------------|------------|-------|-------------|------------|-------|-------------|------------|-------|
|              | Actual Baud | % of Error | SPBRG | Actual Baud | % of Error | SPBRG | Actual Baud | % of Error | SPBRG |
| 300          | 300.48      | 0.16       | 207   | —           | —          | —     | —           | —          | —     |
| 1200         | 1201.92     | 0.16       | 51    | 1201.92     | 0.16       | 77    | —           | —          | —     |
| 2400         | 2403.85     | 0.16       | 25    | 2403.85     | 0.16       | 38    | 2403.85     | 0.16       | 155   |
| 4800         | 4807.69     | 0.16       | 12    | 4934.21     | 2.80       | 18    | 4807.69     | 0.16       | 77    |
| 9600         | 10416.67    | 8.51       | 5     | 10416.67    | 8.51       | 8     | 9615.38     | 0.16       | 38    |
| 19200        | 20833.33    | 8.51       | 2     | 23437.50    | 22.07      | 3     | 19736.84    | 2.80       | 18    |
| 38400        | —           | —          | —     | 46875.00    | 22.07      | 1     | 41666.67    | 8.51       | 8     |
| 57600        | —           | —          | —     | —           | —          | —     | 62500.00    | 8.51       | 5     |
| 115200       | —           | —          | —     | —           | —          | —     | 125000.00   | 8.51       | 2     |
| 230400       | —           | —          | —     | —           | —          | —     | —           | —          | —     |
| 460800       | —           | —          | —     | —           | —          | —     | —           | —          | —     |
| 921600       | —           | —          | —     | —           | —          | —     | —           | —          | —     |

**TABLE 11-4: BAUD RATES FOR ASYNCHRONOUS MODE (BRGH = 1)**

| Desired Baud | 4 MHz       |            |       | 6 MHz       |            |       | 24 MHz      |            |       |
|--------------|-------------|------------|-------|-------------|------------|-------|-------------|------------|-------|
|              | Actual Baud | % of Error | SPBRG | Actual Baud | % of Error | SPBRG | Actual Baud | % of Error | SPBRG |
| 300          | —           | —          | —     | —           | —          | —     | —           | —          | —     |
| 1200         | 1201.92     | 0.16       | 207   | —           | —          | —     | —           | —          | —     |
| 2400         | 2403.85     | 0.16       | 103   | 2403.85     | 0.16       | 155   | —           | —          | —     |
| 4800         | 4807.69     | 0.16       | 51    | 4807.69     | 0.16       | 77    | —           | —          | —     |
| 9600         | 9615.38     | 0.16       | 25    | 9615.38     | 0.16       | 38    | 9615.38     | 0.16       | 155   |
| 19200        | 19230.77    | 0.16       | 12    | 19736.84    | 2.80       | 18    | 19230.77    | 0.16       | 77    |
| 38400        | 41666.67    | 8.51       | 5     | 41666.67    | 8.51       | 8     | 38461.54    | 0.16       | 38    |
| 57600        | 62500.00    | 8.51       | 3     | 62500.00    | 8.51       | 5     | 57692.31    | 0.16       | 25    |
| 115200       | 12500.00    | 8.51       | 1     | 12500.00    | 8.51       | 2     | 115384.62   | 0.16       | 12    |
| 230400       | —           | —          | —     | —           | —          | —     | 250000.00   | 8.51       | 5     |
| 460800       | —           | —          | —     | —           | —          | —     | 500000.00   | 8.51       | 2     |
| 921600       | —           | —          | —     | —           | —          | —     | —           | —          | —     |

**TABLE 11-5: REGISTERS ASSOCIATED WITH BAUD RATE GENERATOR**

| Address | Name  | Bit 7                        | Bit 6 | Bit 5 | Bit 4 | Bit 3 | Bit 2 | Bit 1 | Bit 0     | Value on: POR, BOR | Value on all other resets |
|---------|-------|------------------------------|-------|-------|-------|-------|-------|-------|-----------|--------------------|---------------------------|
| 98h     | TXSTA | CSRC                         | TX9   | TXEN  | SYNC  | —     | BRGH  | TRMT  | TX9D      | 0000 -010          | 0000 -010                 |
| 18h     | RCSTA | SPEN                         | RX9   | SREN  | CREN  | —     | FERR  | OERR  | RX9D      | 0000 -00x          | 0000 -00x                 |
| 99h     | SPBRG | Baud Rate Generator Register |       |       |       |       |       |       | 0000 0000 | 0000 0000          |                           |

Legend: x = unknown, - = unimplemented read as '0'. Shaded cells are not used by the BRG.

## 11.2 USART Asynchronous Mode

In this mode, the USART uses standard nonreturn-to-zero (NRZ) format (one start bit, eight or nine data bits, and one stop bit). The most common data format is 8 bits. An on-chip, dedicated, 8-bit baud rate generator can be used to derive standard baud rate frequencies from the oscillator. The USART transmits and receives the LSb first. The USART's transmitter and receiver are functionally independent, but use the same data format and baud rate. The baud rate generator produces a clock either x16 or x64 of the bit shift rate, depending on bit BRGH (TXSTA<2>). Parity is not supported by the hardware, but can be implemented in software (and stored as the ninth data bit). Asynchronous mode is stopped during SLEEP.

Asynchronous mode is selected by clearing bit SYNC (TXSTA<4>).

The USART Asynchronous module consists of the following important elements:

- Baud Rate Generator
- Sampling Circuit
- Asynchronous Transmitter
- Asynchronous Receiver

### 11.2.1 USART ASYNCHRONOUS TRANSMITTER

The USART transmitter block diagram is shown in Figure 11-1. The heart of the transmitter is the transmit (serial) shift register (TSR). The shift register obtains its data from the read/write transmit buffer, TXREG. The TXREG register is loaded with data in software. The TSR register is not loaded until the STOP bit has been transmitted from the previous load. As soon as the STOP bit is transmitted, the TSR is loaded with new data from the TXREG register (if available). Once the TXREG register transfers the data to the TSR register (occurs in one T<sub>cy</sub>), the TXREG register is empty and flag bit TXIF (PIR1<4>) is set. This interrupt can be enabled/disabled by setting/clearing enable bit TXIE

(PIE1<4>). Flag bit TXIF will be set regardless of the state of enable bit TXIE and cannot be cleared in software. It will reset only when new data is loaded into the TXREG register. While flag bit TXIF indicated the status of the TXREG register, another bit TRMT (TXSTA<1>) shows the status of the TSR register. Status bit TRMT is a read only bit, which is set when the TSR register is empty. No interrupt logic is tied to this bit, so the user has to poll this bit in order to determine if the TSR register is empty.

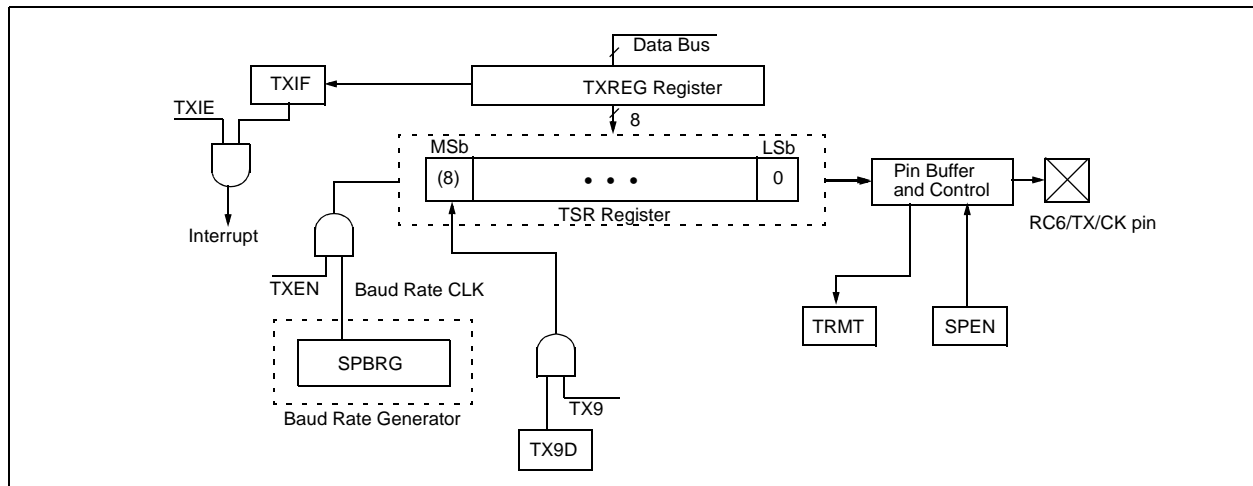
**Note 1:** The TSR register is not mapped in data memory, so it is not available to the user.

**Note 2:** Flag bit TXIF is set when enable bit TXEN is set. TXIF is cleared by loading TXREG.

Transmission is enabled by setting enable bit TXEN (TXSTA<5>). The actual transmission will not occur until the TXREG register has been loaded with data and the baud rate generator (BRG) has produced a shift clock (Figure 11-2). The transmission can also be started by first loading the TXREG register and then setting enable bit TXEN. Normally, when transmission is first started, the TSR register is empty. At that point, transfer to the TXREG register will result in an immediate transfer to TSR, resulting in an empty TXREG. A back-to-back transfer is thus possible (Figure 11-3). Clearing enable bit TXEN during a transmission will cause the transmission to be aborted and will reset the transmitter. As a result, the RC6/TX/CK pin will revert to hi-impedance.

In order to select 9-bit transmission, transmit bit TX9 (TXSTA<6>) should be set and the ninth bit should be written to TX9D (TXSTA<0>). The ninth bit must be written before writing the 8-bit data to the TXREG register. This is because a data write to the TXREG register can result in an immediate transfer of the data to the TSR register (if the TSR is empty). In such a case, an incorrect ninth data bit may be loaded in the TSR register.

**FIGURE 11-1: USART TRANSMIT BLOCK DIAGRAM**

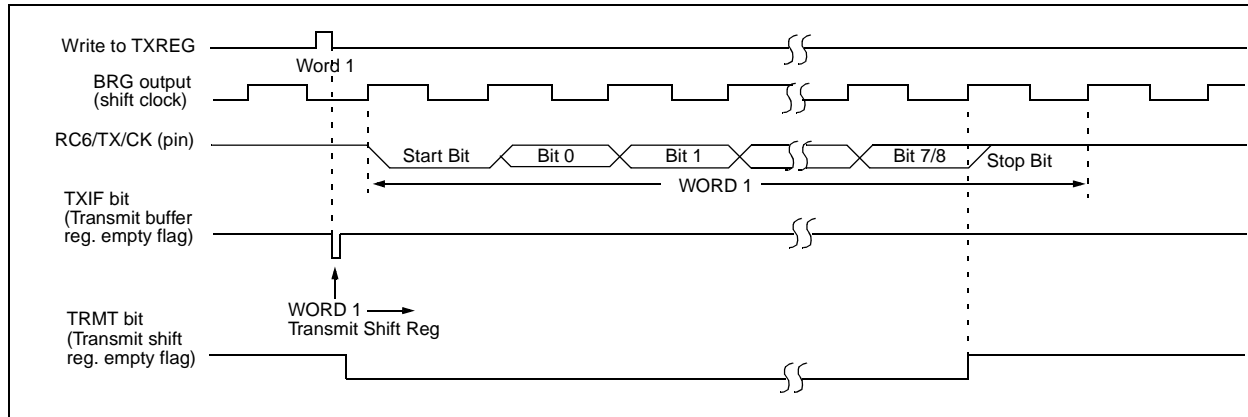


# PIC16C745/765

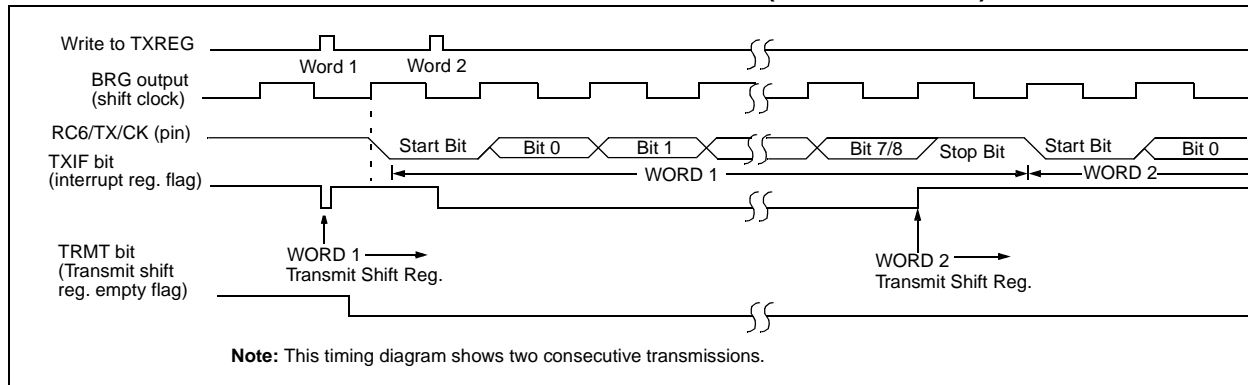
Steps to follow when setting up an Asynchronous Transmission:

1. Initialize the SPBRG register for the appropriate baud rate. If a high speed baud rate is desired, set bit BRGH. (Section 11.1)
2. Enable the asynchronous serial port by clearing bit SYNC and setting bit SPEN.
3. If interrupts are desired, then set enable bit TXIE.
4. If 9-bit transmission is desired, then set transmit bit TX9.
5. Enable the transmission by setting bit TXEN, which will also set bit TXIF.
6. If 9-bit transmission is selected, the ninth bit should be loaded in bit TX9D.
7. Load data to the TXREG register (starts transmission).

**FIGURE 11-2: ASYNCHRONOUS MASTER TRANSMISSION**



**FIGURE 11-3: ASYNCHRONOUS MASTER TRANSMISSION (BACK TO BACK)**



**TABLE 11-6: REGISTERS ASSOCIATED WITH ASYNCHRONOUS TRANSMISSION**

| Address | Name  | Bit 7                        | Bit 6 | Bit 5 | Bit 4 | Bit 3 | Bit 2  | Bit 1  | Bit 0  | Value on:<br>POR,<br>BOR | Value on<br>all other<br>Resets |
|---------|-------|------------------------------|-------|-------|-------|-------|--------|--------|--------|--------------------------|---------------------------------|
| 0Ch     | PIR1  | PSPIF <sup>(1)</sup>         | ADIF  | RCIF  | TXIF  | USBIF | CCP1IF | TMR2IF | TMR1IF | 0000 0000                | 0000 0000                       |
| 18h     | RCSTA | SPEN                         | RX9   | SREN  | CREN  | —     | FERR   | OERR   | RX9D   | 0000 -00x                | 0000 -00x                       |
| 19h     | TXREG | USART Transmit Register      |       |       |       |       |        |        |        | 0000 0000                | 0000 0000                       |
| 8Ch     | PIE1  | PSPIE <sup>(1)</sup>         | ADIE  | RCIE  | TXIE  | USBIE | CCP1IE | TMR2IE | TMR1IE | 0000 0000                | 0000 0000                       |
| 98h     | TXSTA | CSRC                         | TX9   | TXEN  | SYNC  | —     | BRGH   | TRMT   | TX9D   | 0000 -010                | 0000 -010                       |
| 99h     | SPBRG | Baud Rate Generator Register |       |       |       |       |        |        |        | 0000 0000                | 0000 0000                       |

Legend: x = unknown, - = unimplemented locations read as '0'. Shaded cells are not used for asynchronous transmission.

**Note 1:** Bits PSPIE and PSPIF are reserved on the PIC16C745; always maintain these bits clear.



## 11.2.2 USART ASYNCHRONOUS RECEIVER

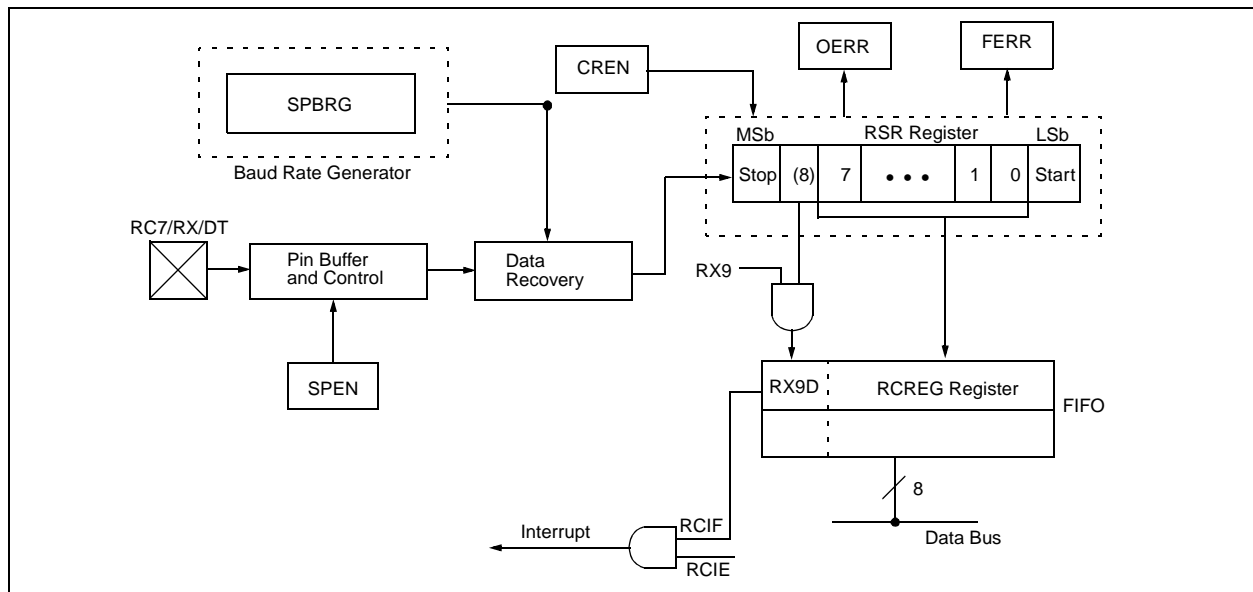
The receiver block diagram is shown in Figure 11-4. The data is received on the RC7/RX/DT pin and drives the data recovery block. The data recovery block is actually a high speed shifter operating at x16 times the baud rate, whereas the main receive serial shifter operates at the bit rate or at FINT.

Once asynchronous mode is selected, reception is enabled by setting bit CREN (RCSTA<4>).

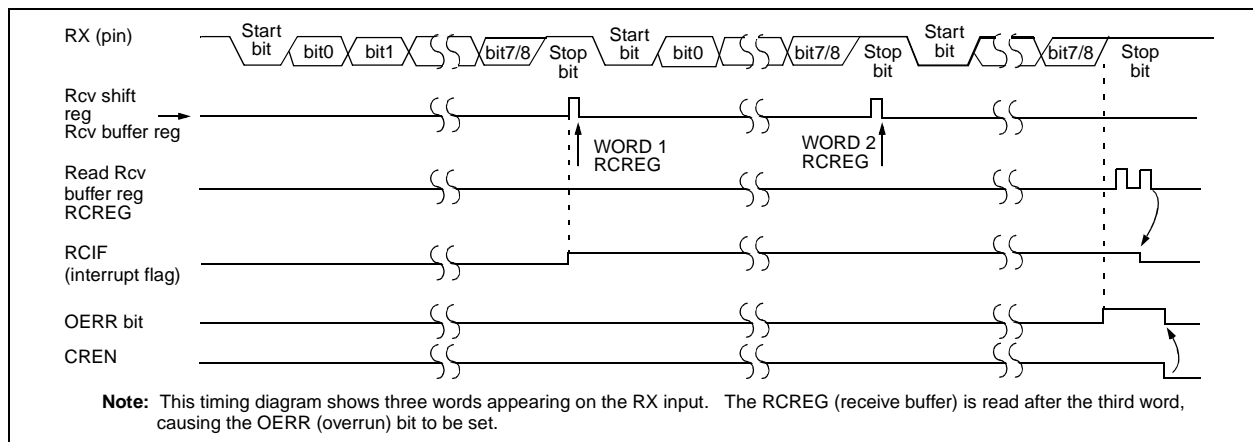
The heart of the receiver is the receive (serial) shift register (RSR). After sampling the STOP bit, the received data in the RSR is transferred to the RCREG register (if it is empty). If the transfer is complete, flag bit RCIF (PIR1<5>) is set. The actual interrupt can be enabled/disabled by setting/clearing enable bit RCIE (PIE1<5>). Flag bit RCIF is a read only bit which is cleared by the hardware. It is cleared when the RCREG register has been read and is empty. The RCREG is a double buffered register, i.e. it is a two deep FIFO. It is possible for

two bytes of data to be received and transferred to the RCREG FIFO and a third byte to begin shifting to the RSR register. On the detection of the STOP bit of the third byte, if the RCREG register is still full, then overrun error bit OERR (RCSTA<1>) will be set. The word in the RSR will be lost. The RCREG register can be read twice to retrieve the two bytes in the FIFO. Overrun bit OERR has to be cleared in software. This is done by resetting the receive logic (CREN is cleared and then set). If bit OERR is set, transfers from the RSR register to the RCREG register are inhibited, so it is essential to clear error bit OERR if it is set. Framing error bit FERR (RCSTA<2>) is set if a stop bit is detected as clear. Bit FERR and the 9th receive bit are buffered the same way as the receive data. Reading the RCREG, will load bits RX9D and FERR with new values, therefore it is essential for the user to read the RCSTA register before reading RCREG register in order not to lose the old FERR and RX9D information.

**FIGURE 11-4: USART RECEIVE BLOCK DIAGRAM**



**FIGURE 11-5: ASYNCHRONOUS RECEPTION**



# PIC16C745/765

Steps to follow when setting up an Asynchronous Reception:

1. Initialize the SPBRG register for the appropriate baud rate. If a high speed baud rate is desired, set bit BRGH. (Section 11.1).
2. Enable the asynchronous serial port by clearing bit SYNC, and setting bit SPEN.
3. If interrupts are desired, then set enable bit RCIE.
4. If 9-bit reception is desired, then set bit RX9.
5. Enable the reception by setting bit CREN.
6. Flag bit RCIF will be set when reception is complete and an interrupt will be generated if enable bit RCIE was set.
7. Read the RCSTA register to get the ninth bit (if enabled) and determine if any error occurred during reception.
8. Read the 8-bit received data by reading the RCREG register.
9. If any error occurred, clear the error by clearing enable bit CREN.

**TABLE 11-7: REGISTERS ASSOCIATED WITH ASYNCHRONOUS RECEPTION**

| Address | Name  | Bit 7                        | Bit 6 | Bit 5 | Bit 4 | Bit 3 | Bit 2  | Bit 1  | Bit 0  | Value on:<br>POR,<br>BOR | Value on<br>all other<br>Resets |
|---------|-------|------------------------------|-------|-------|-------|-------|--------|--------|--------|--------------------------|---------------------------------|
| 0Ch     | PIR1  | PSPIF <sup>(1)</sup>         | ADIF  | RCIF  | TXIF  | USBIF | CCP1IF | TMR2IF | TMR1IF | 0000 0000                | 0000 0000                       |
| 18h     | RCSTA | SPEN                         | RX9   | SREN  | CREN  | —     | FERR   | OERR   | RX9D   | 0000 -00x                | 0000 -00x                       |
| 1Ah     | RCREG | USART Receive Register       |       |       |       |       |        |        |        | 0000 0000                | 0000 0000                       |
| 8Ch     | PIE1  | PSPIE <sup>(1)</sup>         | ADIE  | RCIE  | TXIE  | USBIE | CCP1IE | TMR2IE | TMR1IE | 0000 0000                | 0000 0000                       |
| 98h     | TXSTA | CSRC                         | TX9   | TXEN  | SYNC  | —     | BRGH   | TRMT   | TX9D   | 0000 -010                | 0000 -010                       |
| 99h     | SPBRG | Baud Rate Generator Register |       |       |       |       |        |        |        | 0000 0000                | 0000 0000                       |

Legend: x = unknown, - = unimplemented locations read as '0'. Shaded cells are not used for asynchronous reception.

**Note 1:** Bits PSPIE and PSPIF are reserved on the PIC16C745; always maintain these bits clear.

### 11.3 USART Synchronous Master Mode

In Synchronous Master mode, the data is transmitted in a half-duplex manner, i.e., transmission and reception do not occur at the same time. When transmitting data, the reception is inhibited and vice versa. Synchronous mode is entered by setting bit SYNC (TXSTA<4>). In addition, enable bit SPEN (RCSTA<7>) is set in order to configure the RC6/TX/CK and RC7/RX/DT I/O pins to CK (clock) and DT (data) lines respectively. The Master mode indicates that the processor transmits the master clock on the CK line. The Master mode is entered by setting bit CSRC (TXSTA<7>).

#### 11.3.1 USART SYNCHRONOUS MASTER TRANSMISSION

The USART transmitter block diagram is shown in Figure 11-1. The heart of the transmitter is the transmit (serial) shift register (TSR). The shift register obtains its data from the read/write transmit buffer register TXREG. The TXREG register is loaded with data in software. The TSR register is not loaded until the last bit has been transmitted from the previous load. As soon as the last bit is transmitted, the TSR is loaded with new data from the TXREG (if available). Once the TXREG register transfers the data to the TSR register (occurs in one Tcycle), the TXREG is empty and interrupt bit TXIF (PIR1<4>) is set. The interrupt can be enabled/disabled by setting/clearing enable bit TXIE (PIE1<4>). Flag bit TXIF will be set regardless of the state of enable bit TXIE and cannot be cleared in software. It will reset only when new data is loaded into the TXREG register. While flag bit TXIF indicates the status of the TXREG register, another bit TRMT (TXSTA<1>) shows the status of the TSR register. TRMT is a read only bit which is set when the TSR is empty. No interrupt logic is tied to this bit, so the user has to poll this bit in order to determine if the TSR register is empty. The TSR is not mapped in data memory, so it is not available to the user.

Transmission is enabled by setting enable bit TXEN (TXSTA<5>). The actual transmission will not occur until the TXREG register has been loaded with data. The first data bit will be shifted out on the next available rising edge of the clock on the CK line. Data out is stable around the falling edge of the synchronous clock (Figure 11-6). The transmission can also be started by first loading the TXREG register and then setting bit TXEN (Figure 11-7). This is advantageous when slow baud rates are selected, since the BRG is kept in reset when bits TXEN, CREN and SREN are clear. Setting enable bit TXEN will start the BRG, creating a shift clock immediately. Normally, when transmission is first started, the TSR register is empty, so a transfer to the TXREG register will result in an immediate transfer to TSR resulting in an empty TXREG. Back-to-back transfers are possible.

Clearing enable bit TXEN, during a transmission, will cause the transmission to be aborted and will reset the transmitter. The DT and CK pins will revert to hi-impedance. If either bit CREN or bit SREN is set during a transmission, the transmission is aborted and the DT

pin reverts to a hi-impedance state (for a reception). The CK pin will remain an output if bit CSRC is set (internal clock). The transmitter logic, however, is not reset, although it is disconnected from the pins. In order to reset the transmitter, the user has to clear bit TXEN. If bit SREN is set (to interrupt an on-going transmission and receive a single word), then after the single word is received, bit SREN will be cleared and the serial port will revert back to transmitting, since bit TXEN is still set. The DT line will immediately switch from hi-impedance receive mode to transmit and start driving. To avoid this, bit TXEN should be cleared.

In order to select 9-bit transmission, the TX9 (TXSTA<6>) bit should be set and the ninth bit should be written to bit TX9D (TXSTA<0>). The ninth bit must be written before writing the 8-bit data to the TXREG register. This is because a data write to the TXREG can result in an immediate transfer of the data to the TSR register (if the TSR is empty). If the TSR was empty and the TXREG was written before writing the "new" TX9D, the "present" value of bit TX9D is loaded.

Steps to follow when setting up a Synchronous Master Transmission:

1. Initialize the SPBRG register for the appropriate baud rate (Section 11.1).
2. Enable the synchronous master serial port by setting bits SYNC, SPEN and CSRC.
3. If interrupts are desired, set enable bit TXIE.
4. If 9-bit transmission is desired, set bit TX9.
5. Enable the transmission by setting bit TXEN.
6. If 9-bit transmission is selected, the ninth bit should be loaded in bit TX9D.
7. Start transmission by loading data to the TXREG register.

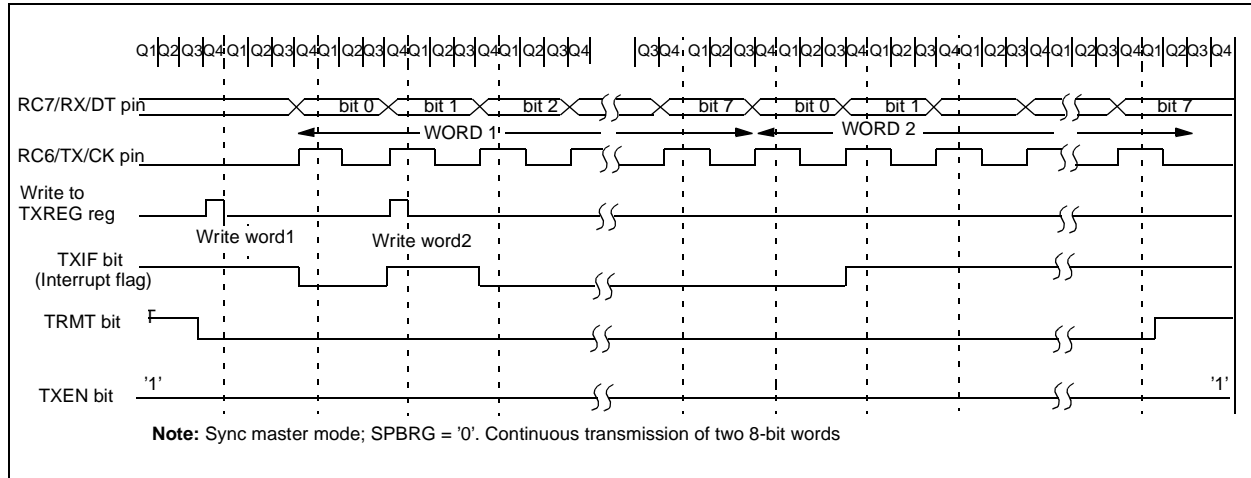
**TABLE 11-8: REGISTERS ASSOCIATED WITH SYNCHRONOUS MASTER TRANSMISSION**

| Address | Name  | Bit 7                        | Bit 6 | Bit 5 | Bit 4 | Bit 3 | Bit 2  | Bit 1  | Bit 0  | Value on: POR, BOR | Value on all other Resets |
|---------|-------|------------------------------|-------|-------|-------|-------|--------|--------|--------|--------------------|---------------------------|
| 0Ch     | PIR1  | PSPIF <sup>(1)</sup>         | ADIF  | RCIF  | TXIF  | USBIF | CCP1IF | TMR2IF | TMR1IF | 0000 0000          | 0000 0000                 |
| 18h     | RCSTA | SPEN                         | RX9   | SREN  | CREN  | —     | FERR   | OERR   | RX9D   | 0000 -00x          | 0000 -00x                 |
| 19h     | TXREG | USART Transmit Register      |       |       |       |       |        |        |        | 0000 0000          | 0000 0000                 |
| 8Ch     | PIE1  | PSPIE <sup>(1)</sup>         | ADIE  | RCIE  | TXIE  | USBIE | CCP1IE | TMR2IE | TMR1IE | 0000 0000          | 0000 0000                 |
| 98h     | TXSTA | CSRC                         | TX9   | TXEN  | SYNC  | —     | BRGH   | TRMT   | TX9D   | 0000 -010          | 0000 -010                 |
| 99h     | SPBRG | Baud Rate Generator Register |       |       |       |       |        |        |        | 0000 0000          | 0000 0000                 |

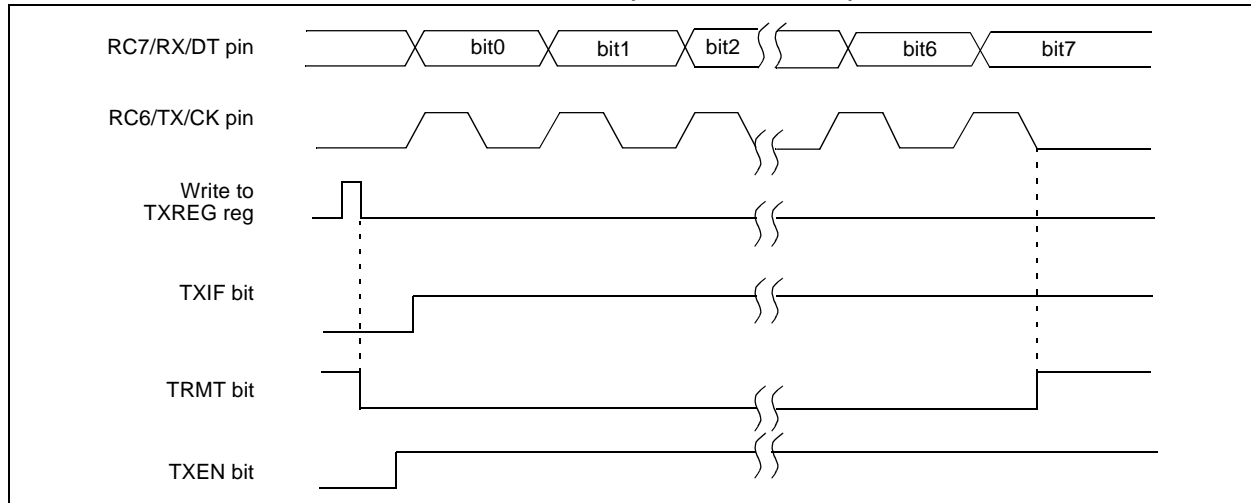
Legend: x = unknown, - = unimplemented, read as '0'. Shaded cells are not used for synchronous master transmission.

**Note 1:** Bits PSPIE and PSPIF are reserved on the PIC16C745; always maintain these bits clear.

**FIGURE 11-6: SYNCHRONOUS TRANSMISSION**



**FIGURE 11-7: SYNCHRONOUS TRANSMISSION (THROUGH TXEN)**



## 11.3.2 USART SYNCHRONOUS MASTER RECEPTION

Once synchronous mode is selected, reception is enabled by setting either enable bit SREN (RCSTA<5>) or enable bit CREN (RCSTA<4>). Data is sampled on the RC7/RX/DT pin on the falling edge of the clock. If enable bit SREN is set, then only a single word is received. If enable bit CREN is set, the reception is continuous until CREN is cleared. If both bits are set, CREN takes precedence. After clocking the last bit, the received data in the Receive Shift Register (RSR) is transferred to the RCREG register (if it is empty). When the transfer is complete, interrupt flag bit RCIF (PIR1<5>) is set. The actual interrupt can be enabled/disabled by setting/clearing enable bit RCIE (PIE1<5>). Flag bit RCIF is a read only bit, which is reset by the hardware. In this case, it is reset when the RCREG register has been read and is empty. The RCREG is a double buffered register, i.e., it is a two deep FIFO. It is possible for two bytes of data to be received and transferred to the RCREG FIFO and a third byte to begin shifting into the RSR register. On the clocking of the last bit of the third byte, if the RCREG register is still full, then overrun error bit OERR (RCSTA<1>) is set. The word in the RSR will be lost. The RCREG register can be read twice to retrieve the two bytes in the FIFO. Bit OERR has to be cleared in software (by clearing bit CREN). If bit OERR is set, transfers from the RSR to the RCREG are inhibited, so it is essential to clear bit

OERR if it is set. The ninth receive bit is buffered the same way as the receive data. Reading the RCREG register will load bit RX9D with a new value, therefore it is essential for the user to read the RCSTA register before reading RCREG in order not to lose the old RX9D information.

Steps to follow when setting up a Synchronous Master Reception:

1. Initialize the SPBRG register for the appropriate baud rate. (Section 11.1)
2. Enable the synchronous master serial port by setting bits SYNC, SPEN, and CSRC.
3. Ensure bits CREN and SREN are clear.
4. If interrupts are desired, then set enable bit RCIE.
5. If 9-bit reception is desired, then set bit RX9.
6. If a single reception is required, set bit SREN. For continuous reception set bit CREN.
7. Interrupt flag bit RCIF will be set when reception is complete and an interrupt will be generated if enable bit RCIE was set.
8. Read the RCSTA register to get the ninth bit (if enabled) and determine if any error occurred during reception.
9. Read the 8-bit received data by reading the RCREG register.
10. If any error occurred, clear the error by clearing bit CREN.

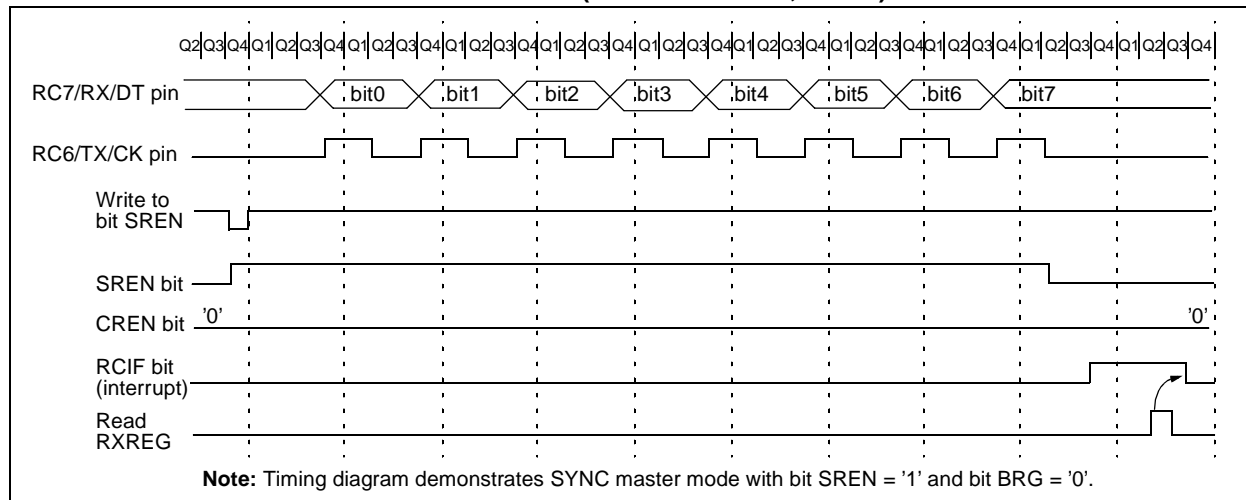
**TABLE 11-9: REGISTERS ASSOCIATED WITH SYNCHRONOUS MASTER RECEPTION**

| Address | Name  | Bit 7                        | Bit 6 | Bit 5 | Bit 4 | Bit 3 | Bit 2  | Bit 1  | Bit 0  | Value on: POR, BOR | Value on all other Resets |
|---------|-------|------------------------------|-------|-------|-------|-------|--------|--------|--------|--------------------|---------------------------|
| 0Ch     | PIR1  | PSPIF <sup>(1)</sup>         | ADIF  | RCIF  | TXIF  | USBIF | CCP1IF | TMR2IF | TMR1IF | 0000 0000          | 0000 0000                 |
| 18h     | RCSTA | SPEN                         | RX9   | SREN  | CREN  | —     | FERR   | OERR   | RX9D   | 0000 -00x          | 0000 -00x                 |
| 1Ah     | RCREG | USART Receive Register       |       |       |       |       |        |        |        | 0000 0000          | 0000 0000                 |
| 8Ch     | PIE1  | PSPIE <sup>(1)</sup>         | ADIE  | RCIE  | TXIE  | USBIE | CCP1IE | TMR2IE | TMR1IE | 0000 0000          | 0000 0000                 |
| 98h     | TXSTA | CSRC                         | TX9   | TXEN  | SYNC  | —     | BRGH   | TRMT   | TX9D   | 0000 -010          | 0000 -010                 |
| 99h     | SPBRG | Baud Rate Generator Register |       |       |       |       |        |        |        | 0000 0000          | 0000 0000                 |

Legend: x = unknown, - = unimplemented read as '0'. Shaded cells are not used for synchronous master reception.

**Note 1:** Bits PSPIE and PSPIF are reserved on the PIC16C745; always maintain these bits clear.

**FIGURE 11-8: SYNCHRONOUS RECEPTION (MASTER MODE, SREN)**



## 11.4 USART Synchronous Slave Mode

Synchronous slave mode differs from the Master mode in the fact that the shift clock is supplied externally at the RC6/TX/CK pin (instead of being supplied internally in master mode). This allows the device to transfer or receive data while in SLEEP mode. Slave mode is entered by clearing bit CSRC (TXSTA<7>).

### 11.4.1 USART SYNCHRONOUS SLAVE TRANSMIT

The operation of the synchronous master and slave modes are identical, except in the case of the SLEEP mode.

If two words are written to the TXREG and then the SLEEP instruction is executed, the following will occur:

- a) The first word will immediately transfer to the TSR register and transmit.
- b) The second word will remain in TXREG register.
- c) Flag bit TXIF will not be set.
- d) When the first word has been shifted out of TSR, the TXREG register will transfer the second word to the TSR and flag bit TXIF will now be set.
- e) If enable bit TXIE is set, the interrupt will wake the chip from SLEEP and if the global interrupt is enabled, the program will branch to the interrupt vector (0004h).

Steps to follow when setting up a synchronous slave transmission:

1. Enable the synchronous slave serial port by setting bits SYNC and SPEN and clearing bit CSRC.
2. Clear bits CREN and SREN.
3. If interrupts are desired, then set enable bit TXIE.
4. If 9-bit transmission is desired, set bit TX9.
5. Enable the transmission by setting enable bit TXEN.
6. If 9-bit transmission is selected, the ninth bit should be loaded in bit TX9D.
7. Start transmission by loading data to the TXREG register.

### 11.4.2 USART SYNCHRONOUS SLAVE RECEPTION

The operation of the synchronous master and slave modes is identical, except in the case of the SLEEP mode. Also, bit SREN is a don't care in slave mode.

If receive is enabled by setting bit CREN prior to the SLEEP instruction, a word may be received during SLEEP. On completely receiving the word, the RSR register will transfer the data to the RCREG register and if enable bit RCIE bit is set, the interrupt generated will wake the chip from SLEEP. If the global interrupt is enabled, the program will branch to the interrupt vector (0004h).

Steps to follow when setting up a Synchronous Slave Reception:

1. Enable the synchronous master serial port by setting bits SYNC and SPEN and clearing bit CSRC.
2. If interrupts are desired, set enable bit RCIE.
3. If 9-bit reception is desired, set bit RX9.
4. To enable reception, set enable bit CREN.
5. Flag bit RCIF will be set when reception is complete and an interrupt will be generated, if enable bit RCIE was set.
6. Read the RCSTA register to get the ninth bit (if enabled) and determine if any error occurred during reception.
7. Read the 8-bit received data by reading the RCREG register.
8. If any error occurred, clear the error by clearing bit CREN.

# PIC16C745/765

**TABLE 11-10: REGISTERS ASSOCIATED WITH SYNCHRONOUS SLAVE TRANSMISSION**

| Address | Name  | Bit 7                        | Bit 6 | Bit 5 | Bit 4 | Bit 3 | Bit 2  | Bit 1  | Bit 0  | Value on:<br>POR,<br>BOR | Value on all<br>other Resets |
|---------|-------|------------------------------|-------|-------|-------|-------|--------|--------|--------|--------------------------|------------------------------|
| 0Ch     | PIR1  | PSPIF <sup>(1)</sup>         | ADIF  | RCIF  | TXIF  | USBIF | CCP1IF | TMR2IF | TMR1IF | 0000 0000                | 0000 0000                    |
| 18h     | RCSTA | SPEN                         | RX9   | SREN  | CREN  | —     | FERR   | OERR   | RX9D   | 0000 -00x                | 0000 -00x                    |
| 19h     | TXREG | USART Transmit Register      |       |       |       |       |        |        |        | 0000 0000                | 0000 0000                    |
| 8Ch     | PIE1  | PSPIE <sup>(1)</sup>         | ADIE  | RCIE  | TXIE  | USBIE | CCP1IE | TMR2IE | TMR1IE | 0000 0000                | 0000 0000                    |
| 98h     | TXSTA | CSRC                         | TX9   | TXEN  | SYNC  | —     | BRGH   | TRMT   | TX9D   | 0000 -010                | 0000 -010                    |
| 99h     | SPBRG | Baud Rate Generator Register |       |       |       |       |        |        |        | 0000 0000                | 0000 0000                    |

Legend: x = unknown, - = unimplemented read as '0'. Shaded cells are not used for synchronous slave transmission.

**Note 1:** Bits PSPIE and PSPIF are reserved on the PIC16C745; always maintain these bits clear.

**TABLE 11-11: REGISTERS ASSOCIATED WITH SYNCHRONOUS SLAVE RECEPTION**

| Address | Name  | Bit 7                        | Bit 6 | Bit 5 | Bit 4 | Bit 3 | Bit 2  | Bit 1  | Bit 0  | Value on:<br>POR,<br>BOR | Value on all<br>other Resets |
|---------|-------|------------------------------|-------|-------|-------|-------|--------|--------|--------|--------------------------|------------------------------|
| 0Ch     | PIR1  | PSPIF <sup>(1)</sup>         | ADIF  | RCIF  | TXIF  | USBIF | CCP1IF | TMR2IF | TMR1IF | 0000 0000                | 0000 0000                    |
| 18h     | RCSTA | SPEN                         | RX9   | SREN  | CREN  | —     | FERR   | OERR   | RX9D   | 0000 -00x                | 0000 -00x                    |
| 1Ah     | RCREG | USART Receive Register       |       |       |       |       |        |        |        | 0000 0000                | 0000 0000                    |
| 8Ch     | PIE1  | PSPIE <sup>(1)</sup>         | ADIE  | RCIE  | TXIE  | USBIE | CCP1IE | TMR2IE | TMR1IE | 0000 0000                | 0000 0000                    |
| 98h     | TXSTA | CSRC                         | TX9   | TXEN  | SYNC  | —     | BRGH   | TRMT   | TX9D   | 0000 -010                | 0000 -010                    |
| 99h     | SPBRG | Baud Rate Generator Register |       |       |       |       |        |        |        | 0000 0000                | 0000 0000                    |

Legend: x = unknown, - = unimplemented read as '0'. Shaded cells are not used for synchronous slave reception.

**Note 1:** Bits PSPIE and PSPIF are reserved on the PIC16C745; always maintain these bits clear.



## 12.0 ANALOG-TO-DIGITAL CONVERTER (A/D) MODULE

The 8-bit Analog-To-Digital (A/D) converter module has five inputs for the PIC16C745 and eight for the PIC16C765.

The A/D allows conversion of an analog input signal to a corresponding 8-bit digital value. The output of the sample and hold is the input into the converter, which generates the result via successive approximation. The analog reference voltage is software selectable to either the device's positive supply voltage (VDD) or the voltage level on the RA3/AN3/VREF pin.

The A/D converter has a unique feature of being able to operate while the device is in SLEEP mode. To operate in sleep, the A/D conversion clock must be derived from the A/D's dedicated internal RC oscillator.

The A/D module has three registers. These registers are:

- A/D Result Register (ADRES)
- A/D Control Register 0 (ADCON0)
- A/D Control Register 1 (ADCON1)

The ADCON0 register, shown in Register 12-1, controls the operation of the A/D module. The ADCON1 register, shown in Register 12-2, configures the functions of the port pins. The port pins can be configured as analog inputs (RA3 can also be a voltage reference) or as digital I/O.

Additional information on using the A/D module can be found in the PICmicro™ Mid-Range MCU Family Reference Manual (DS33023) and in Application Note, AN546.

### REGISTER 12-1: A/D CONTROL REGISTER (ADCON0: 1Fh)

|       |       |       |       |       |         |     |       |
|-------|-------|-------|-------|-------|---------|-----|-------|
| R/W-0 | R/W-0 | R/W-0 | R/W-0 | R/W-0 | R/W-0   | U-0 | R/W-0 |
| ADCS1 | ADCS0 | CHS2  | CHS1  | CHS0  | GO/DONE | —   | ADON  |
| bit7  |       |       |       |       |         |     | bit0  |

R = Readable bit  
W = Writable bit  
U = Unimplemented bit, read as '0'  
- n = Value at POR reset

bit 7-6: **ADCS<1:0>**: A/D Conversion Clock Select bits  
00 = FINT/2  
01 = FINT/8  
10 = FINT/32  
11 = FRC (clock derived from dedicated internal oscillator)

bit 5-3: **CHS<2:0>**: Analog Channel Select bits  
000 = channel 0, (RA0/AN0)  
001 = channel 1, (RA1/AN1)  
010 = channel 2, (RA2/AN2)  
011 = channel 3, (RA3/AN3)  
100 = channel 4, (RA5/AN4)  
101 = channel 5, (RE0/AN5)<sup>(1)</sup>  
110 = channel 6, (RE1/AN6)<sup>(1)</sup>  
111 = channel 7, (RE2/AN7)<sup>(1)</sup>

bit 2: **GO/DONE**: A/D Conversion Status bit  
If ADON = 1  
1 = A/D conversion in progress (setting this bit starts the A/D conversion)  
0 = A/D conversion not in progress (This bit is automatically cleared by hardware when the A/D conversion is complete)

bit 1: **Unimplemented**: Read as '0'

bit 0: **ADON**: A/D On bit  
1 = A/D converter module is operating  
0 = A/D converter module is shutoff and consumes no operating current

**Note 1:** A/D channels 5, 6 and 7 are implemented on the PIC16C765 only.

# PIC16C745/765

## REGISTER 12-2: A/D CONTROL REGISTER 1 (ADCON1: 9Fh)

|     |     |     |     |     |       |       |       |
|-----|-----|-----|-----|-----|-------|-------|-------|
| U-0 | U-0 | U-0 | U-0 | U-0 | R/W-0 | R/W-0 | R/W-0 |
| —   | —   | —   | —   | —   | PCFG2 | PCFG1 | PCFG0 |

bit7

bit0

R = Readable bit  
 W = Writable bit  
 U = Unimplemented bit, read as '0'  
 - n = Value at POR reset

bit 7-3: **Unimplemented:** Read as '0'

bit 2-0: **PCFG<2:0>**: A/D Port Configuration Control bits

| PCFG<2:0> | AN7 | AN6 | AN5 | AN4 | AN3  | AN2 | AN1 | AN0 | VREF |
|-----------|-----|-----|-----|-----|------|-----|-----|-----|------|
| 000       | A   | A   | A   | A   | A    | A   | A   | A   | VDD  |
| 001       | A   | A   | A   | A   | VREF | A   | A   | A   | RA3  |
| 010       | D   | D   | D   | A   | A    | A   | A   | A   | VDD  |
| 011       | D   | D   | D   | A   | VREF | A   | A   | A   | AN3  |
| 100       | D   | D   | D   | D   | A    | D   | A   | A   | VDD  |
| 101       | A   | A   | A   | A   | VREF | A   | A   | A   | AN3  |
| 11x       | D   | D   | D   | D   | D    | D   | D   | D   | VDD  |

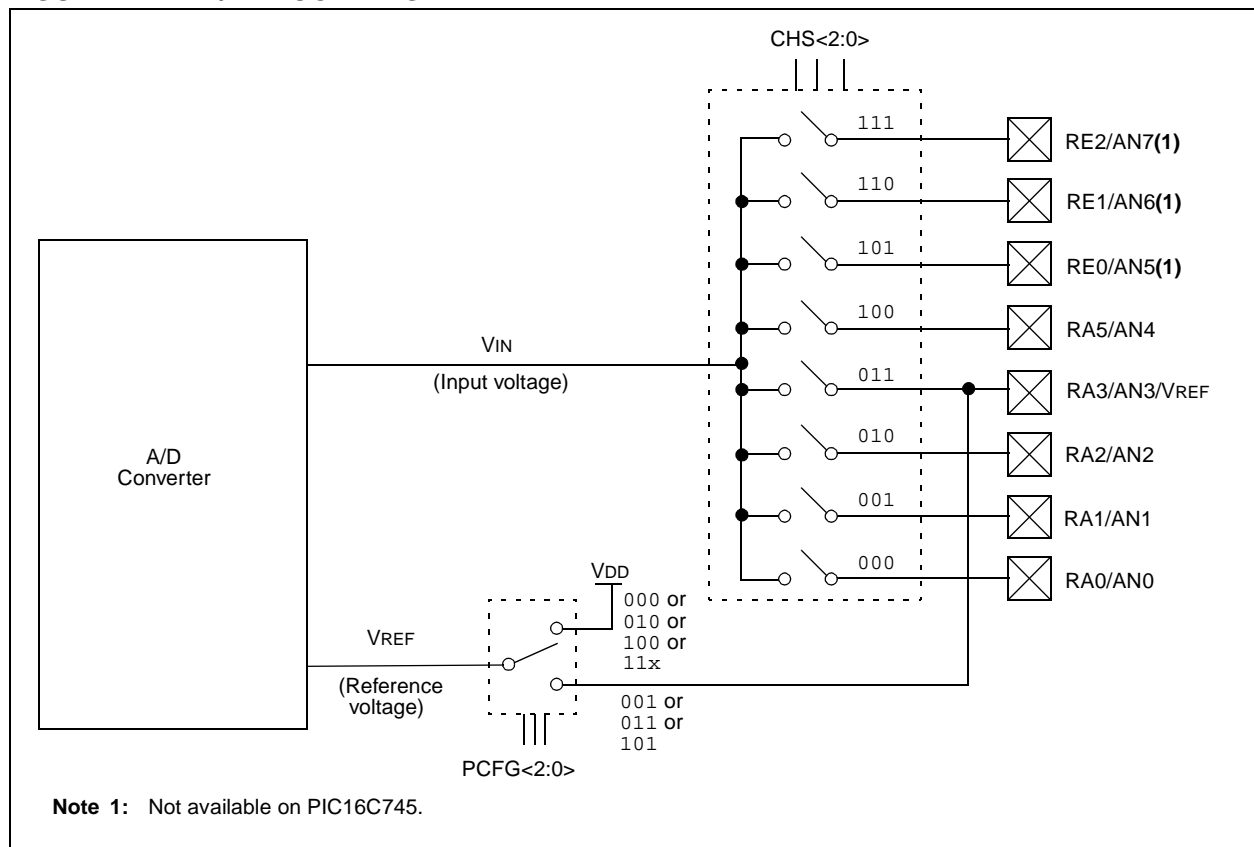
A = Analog input

D = Digital I/O

The following steps should be followed for doing an A/D conversion:

1. Configure the A/D module:
  - Configure analog pins / voltage reference / and digital I/O (ADCON1)
  - Select A/D input channel (ADCON0)
  - Select A/D conversion clock (ADCON0)
  - Turn on A/D module (ADCON0)
2. Configure A/D interrupt (if desired):
  - Clear ADIF bit
  - Set ADIE bit
  - Set GIE bit
3. Wait the required acquisition time.
4. Start conversion:
  - Set  $\overline{GO/DONE}$  bit (ADCON0)
5. Wait for A/D conversion to complete, by either:
  - Polling for the  $\overline{GO/DONE}$  bit to be cleared
  - OR
  - Waiting for the A/D interrupt
6. Read A/D result register (ADRES), clear bit ADIF if required.
7. For next conversion, go to step 1 or step 2 as required. The A/D conversion time per bit is defined as  $T_{AD}$ . A minimum wait of  $2T_{AD}$  is required before next acquisition starts.

**FIGURE 12-1: A/D BLOCK DIAGRAM**



# PIC16C745/765

## 12.1 A/D Acquisition Requirements

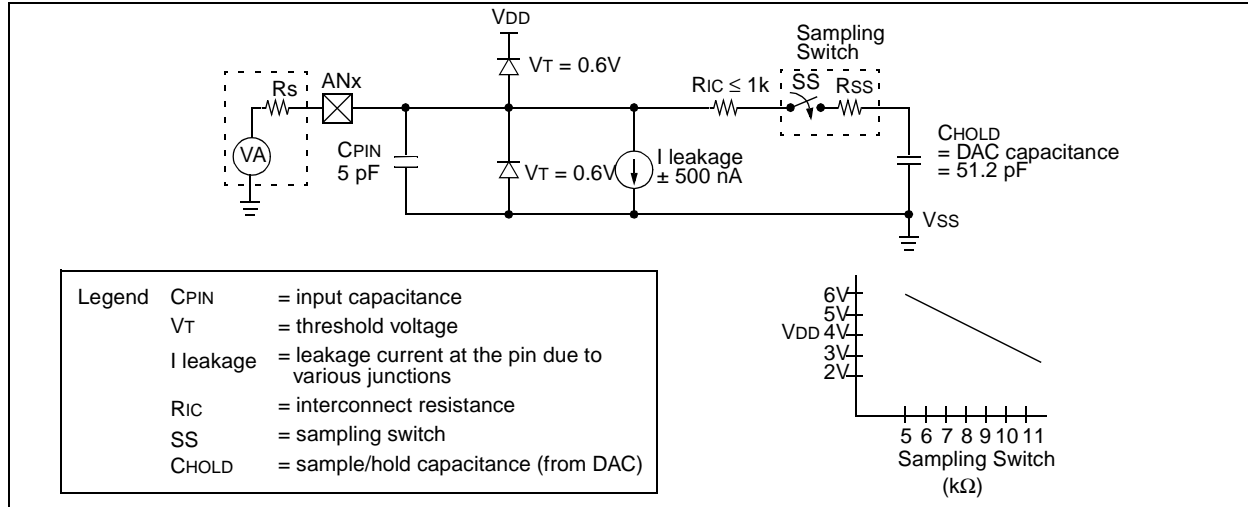
For the A/D converter to meet its specified accuracy, the charge holding capacitor (CHOLD) must be allowed to fully charge to the input channel voltage level. The analog input model is shown in Figure 12-2. The source impedance ( $R_s$ ) and the internal sampling switch ( $R_{SS}$ ) impedance directly affect the time required to charge the capacitor CHOLD. The sampling switch ( $R_{SS}$ ) impedance varies over the device voltage ( $V_{DD}$ ), Figure 12-2. The source impedance affects the offset voltage at the analog input (due to pin leakage current).

The maximum recommended impedance for analog sources is 10 k $\Omega$ . After the analog input channel is selected (changed), the acquisition must pass before the conversion can be started.

To calculate the minimum acquisition time, Equation 12-1 may be used. This equation assumes that 1/2 LSB error is used (512 steps for the A/D). The 1/2 LSB error is the maximum error allowed for the A/D to meet its specified resolution.

To calculate the minimum acquisition time,  $T_{ACQ}$ , see the PICmicro™ Mid-Range MCU Family Reference Manual (DS33023). In general, however, given a max of 10k $\Omega$  and a worst case temperature of 100°C,  $T_{ACQ}$  will be no more than 16 $\mu$ sec.

FIGURE 12-2: ANALOG INPUT MODEL



EQUATION 12-1: ACQUISITION TIME

$$T_{ACQ} = \text{Amplifier Settling Time} + \text{Hold Capacitor Charging Time} + \text{Temperature Coefficient}$$

$$= T_{AMP} + T_C + T_{COFF}$$

$$T_{AMP} = 5\mu\text{S}$$

$$T_C = - (51.2\text{pF})(1\text{k}\Omega + R_{SS} + R_s) \ln(1/511)$$

$$T_{COFF} = (\text{Temp} - 25^\circ\text{C})(0.05\mu\text{S}/^\circ\text{C})$$

## 12.2 Selecting the A/D Conversion Clock

The A/D conversion time per bit is defined as TAD. The A/D conversion requires 9.5TAD per 8-bit conversion. The source of the A/D conversion clock is software selectable. The four possible options for TAD are:

- 2TOSC
- 8TOSC
- 32TOSC
- Dedicated Internal RC oscillator

For correct A/D conversions, the A/D conversion clock (TAD) must be selected to ensure a minimum TAD time of 1.6  $\mu$ s.

**TABLE 12-1: TAD vs. DEVICE OPERATING FREQUENCIES**

| AD Clock Source (TAD) |             | Device Frequency               |                                |                                |                              |
|-----------------------|-------------|--------------------------------|--------------------------------|--------------------------------|------------------------------|
| Operation             | ADCS1:ADCS0 | 20 MHz                         | 5 MHz                          | 1.25 MHz                       | 333.33 kHz                   |
| 2TOSC                 | 00          | 100 ns <sup>(2)</sup>          | 400 ns <sup>(2)</sup>          | 1.6 $\mu$ s                    | 6 $\mu$ s                    |
| 8TOSC                 | 01          | 400 ns <sup>(2)</sup>          | 1.6 $\mu$ s                    | 6.4 $\mu$ s                    | 24 $\mu$ s <sup>(3)</sup>    |
| 32TOSC                | 10          | 1.6 $\mu$ s                    | 6.4 $\mu$ s                    | 25.6 $\mu$ s <sup>(3)</sup>    | 96 $\mu$ s <sup>(3)</sup>    |
| RC                    | 11          | 2 - 6 $\mu$ s <sup>(1,4)</sup> | 2 - 6 $\mu$ s <sup>(1,4)</sup> | 2 - 6 $\mu$ s <sup>(1,4)</sup> | 2 - 6 $\mu$ s <sup>(1)</sup> |

**Note 1:** The RC source has a typical TAD time of 4  $\mu$ s.

**2:** These values violate the minimum required TAD time.

**3:** For faster conversion times, the selection of another clock source is recommended.

**4:** For device frequencies above 1 MHz, the device must be in SLEEP for the entire conversion, or the A/D accuracy may be out of specification.

## 12.3 Configuring Analog Port Pins

The ADCON1, TRISA and TRISE registers control the operation of the A/D port pins. The port pins that are desired as analog inputs must have their corresponding TRIS bits set (input). If the TRIS bit is cleared (output), the digital output level (VOH or VOL) will be converted.

The A/D operation is independent of the state of the CHS<2:0> bits and the TRIS bits.

**Note 1:** When reading the port register, all pins configured as analog input channels will read as cleared (a low level). Pins configured as digital inputs will convert an analog input. Analog levels on a digitally configured input will not affect the conversion accuracy.

**2:** Analog levels on any pin that is defined as a digital input, but not as an analog input, may cause the input buffer to consume current that is out of specification.

**3:** The TRISE register is not provided on the PIC16C745.

## 12.4 A/D Conversions

**Note:** The GO/DONE bit should **NOT** be set in the same instruction that turns on the A/D.

Clearing the GO/DONE bit during a conversion will abort the current conversion. The ADRES register will NOT be updated with the partially completed A/D conversion sample. That is, the ADRES register will continue to contain the value of the last completed conversion (or the last value written to the ADRES register). After the A/D conversion is aborted, a 2TAD wait is required before the next acquisition is started. After this 2TAD wait, an acquisition is automatically started on the selected channel.

## 12.5 A/D Operation During Sleep

The A/D module can operate during SLEEP mode. This requires that the A/D clock source be set to RC (ADCS<1:0> = 11). When the RC clock source is selected, the A/D module waits one instruction cycle before starting the conversion. This allows the SLEEP instruction to be executed, which eliminates all digital switching noise from the conversion. When the conversion is completed, the GO/DONE bit will be cleared, and the result loaded into the ADRES register. If the A/D interrupt is enabled, the device will wake-up from SLEEP. If the A/D interrupt is not enabled, the A/D module will then be turned off, although the ADON bit will remain set.

When the A/D clock source is another clock option (not RC), a SLEEP instruction will cause the present conversion to be aborted and the A/D module to be turned off, though the ADON bit will remain set.

Turning off the A/D places the A/D module in its lowest current consumption state.

**Note:** For the A/D module to operate in SLEEP, the A/D clock source must be set to RC (ADCS<1:0> = 11). To perform an A/D conversion in SLEEP, ensure the SLEEP instruction immediately follows the instruction that sets the GO/DONE bit.

## 12.6 Effects of a RESET

A device reset forces all registers to their reset state. The A/D module is disabled and any conversion in progress is aborted. All pins with analog functions are configured as available inputs.

The ADRES register will contain unknown data after a power-on reset.

## 12.7 Use of the CCP Trigger

An A/D conversion can be started by the “special event trigger” of the CCP2 module. This requires that the CCP2M<3:0> bits (CCP2CON<3:0>) be programmed as 1011 and that the A/D module is enabled (ADON bit is set). When the trigger occurs, the GO/DONE bit will be set, starting the A/D conversion, and the Timer1 counter will be reset to zero. Timer1 is reset to automatically repeat the A/D acquisition period with minimal software overhead (moving the ADRES to the desired location). The appropriate analog input channel must be selected and the minimum acquisition done before the “special event trigger” sets the GO/DONE bit (starts a conversion).

If the A/D module is not enabled (ADON is cleared), then the “special event trigger” will be ignored by the A/D module, but will still reset the Timer1 counter.

**TABLE 12-2: SUMMARY OF A/D REGISTERS**

| Address            | Name   | Bit 7                | Bit 6              | Bit 5                         | Bit 4                   | Bit 3 | Bit 2                                    | Bit 1              | Bit 0              | Value on: POR, BOR | Value on all other Resets |
|--------------------|--------|----------------------|--------------------|-------------------------------|-------------------------|-------|--|--------------------|--------------------|--------------------|---------------------------|
| 0Bh,8Bh, 10Bh,18Bh | INTCON | GIE                  | PEIE               | TOIE                          | INTE                    | RBIE  | TOIF                                     | INTF               | RBIF               | 0000 000x          | 0000 000u                 |
| 0Ch                | PIR1   | PSPIF <sup>(1)</sup> | ADIF               | RCIF                          | TXIF                    | USBIF | CCP1IF                                   | TMR2IF             | TMR1IF             | 0000 0000          | 0000 0000                 |
| 8Ch                | PIE1   | PSPIE <sup>(1)</sup> | ADIE               | RCIE                          | TXIE                    | USBIE | CCP1IE                                   | TMR2IE             | TMR1IE             | 0000 0000          | 0000 0000                 |
| 1Eh                | ADRES  | A/D Result Register  |                    |                               |                         |       |  |                    |                    | xxxx xxxx          | uuuu uuuu                 |
| 1Fh                | ADCON0 | ADCS1                | ADCS0              | CHS2                          | CHS1                    | CHS0  | GO/DONE                                  | —                  | ADON               | 0000 00-0          | 0000 00-0                 |
| 9Fh                | ADCON1 | —                    | —                  | —                             | —                       | —     | PCFG2                                    | PCFG1              | PCFG0              | ---- -000          | ---- -000                 |
| 05h                | PORTA  | —                    | —                  | RA5                           | RA4                     | RA3   | RA2                                      | RA1                | RA0                | --0x 0000          | --0u 0000                 |
| 85h                | TRISA  | —                    | —                  | PORTA Data Direction Register |                         |       |  |                    |                    | --11 1111          | --11 1111                 |
| 09h                | PORTE  | —                    | —                  | —                             | —                       | —     | RE2 <sup>(1)</sup>                       | RE1 <sup>(1)</sup> | RE0 <sup>(1)</sup> | ---- -xxx          | ---- -uuu                 |
| 89h                | TRISE  | IBF <sup>(1)</sup>   | OBF <sup>(1)</sup> | IBOV <sup>(1)</sup>           | PSP-MODE <sup>(1)</sup> | —     | PORTE <sup>(1)</sup> Data Direction Bits |                    |                    | 0000 -111          | 0000 -111                 |

Legend: x = unknown, u = unchanged, - = unimplemented read as '0'. Shaded cells are not used for A/D conversion.

**Note 1:** These bits are reserved on the PIC6C745; always maintain these bits clear.

## 13.0 SPECIAL FEATURES OF THE CPU

What sets a microcontroller apart from other processors are special circuits to deal with the needs of real-time applications. The PIC16C745/765 family has a host of such features intended to maximize system reliability, minimize cost through elimination of external components, provide power saving operating modes and offer code protection. These are:

- Oscillator selection
- Reset
  - Power-on Reset (POR)
  - Power-up Timer (PWRT)
  - Oscillator Start-up Timer (OST)
  - Brown-out Reset (BOR)
- Interrupts
- Watchdog Timer (WDT)
- SLEEP
- Code protection
- ID locations
- In-Circuit Serial Programming™ (ICSP)

The PIC16C745/765 has a Watchdog Timer, which can be shut off only through configuration bits. It runs off its own dedicated RC oscillator for added reliability. There are two timers that offer necessary delays on power-up. One is the Oscillator Start-up Timer (OST), intended to

keep the chip in reset until the crystal oscillator is stable. The other is the Power-up Timer (PWRT), which provides a fixed delay of 72 ms (nominal) on power-up only and is designed to keep the part in reset, while the power supply stabilizes. With these two timers on-chip, most applications need no external reset circuitry.

SLEEP mode is designed to offer a very low current power-down mode. The user can wake-up from SLEEP through external reset, WDT wake-up or through an interrupt. Several oscillator options are also made available to allow the part to fit the application. The EC oscillator allows the user to directly drive the microcontroller, while the HS oscillator allows the use of a high speed crystal/resonator. A set of configuration bits are used to select various options.

### 13.1 Configuration Bits

The configuration bits can be programmed (read as '0') or left unprogrammed (read as '1') to select various device configurations. These bits are mapped in program memory location 2007h.

The user will note that address 2007h is beyond the user program memory space. In fact, it belongs to the special test/configuration memory space (2000h - 3FFFh), which can be accessed only during programming.

### REGISTER 13-1: CONFIGURATION WORD

|       |     |     |     |     |     |     |   |   |     |     |                     |      |       |       |                                    |
|-------|-----|-----|-----|-----|-----|-----|---|---|-----|-----|---------------------|------|-------|-------|------------------------------------|
|       | CP1 | CP0 | CP1 | CP0 | CP1 | CP0 | — | — | CP1 | CP0 | PWRT $\overline{E}$ | WDTE | FOSC1 | FOSC0 |                                    |
| bit13 |     |     |     |     |     |     |   |   |     |     |                     |      |       |       | Register: CONFIG<br>Address: 2007h |
| bit0  |     |     |     |     |     |     |   |   |     |     |                     |      |       |       |                                    |

bit 13-12: **CP<1:0>**: Code Protection bits<sup>(1)</sup>  
 11-10: 00 = All memory is code protected  
 9-8: 01 = Upper 3/4th of program memory code protected  
 5-4: 10 = Upper half of program memory code protected  
 11 = Code protection off

bit 7-6: **Unimplemented**: Read as '1'

bit 3: **PWRT $\overline{E}$** : Power-up Timer Enable bit  
 1 = PWRT disabled • No delay after Power-up reset or Brown-out reset  
 0 = PWRT enabled • A delay of 4x WDT (72 ms) is present after Power-up and Brown-out

bit 2: **WDTE**: Watchdog Timer Enable bit  
 1 = WDT enabled  
 0 = WDT disabled

bit 1-0: **FOSC<1:0>**: Oscillator Selection  
 00 - HS- HS osc  
 01 - EC- External clock. CLKOUT on OSC2 pin  
 10 - H4- HS osc with 4x PLL enabled  
 11 - E4- External clock with 4x PLL enabled. CLKOUT on OSC2 pin

**Note 1:** All of the CP<1:0> pairs have to be given the same value to enable the code protection scheme listed.

# PIC16C745/765

## 13.2 Oscillator Configurations

### 13.2.1 OSCILLATOR TYPES

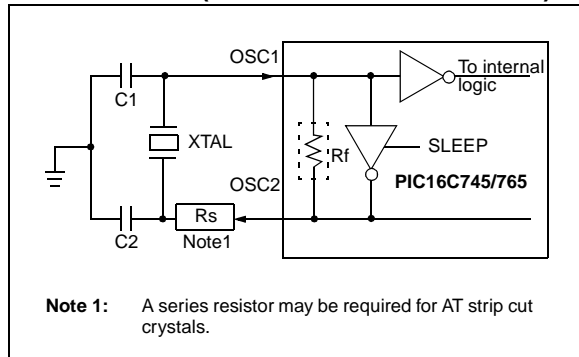
The PIC16C745/765 can be operated in four different oscillator modes. The user can program a configuration bit (FOSC0) to select one of these four modes:

- EC External Clock
- E4 External Clock with PLL
- HS High Speed Crystal/Resonator
- H4 High Speed Crystal/Resonator with PLL

### 13.2.2 CRYSTAL OSCILLATOR/CERAMIC RESONATORS

In HS mode, a crystal or ceramic resonator is connected to the OSC1/CLKIN and OSC2/CLKOUT pins to establish oscillation (Figure 13-1). The PIC16C745/765 oscillator design requires the use of a parallel cut crystal. Use of a series cut crystal may give a frequency out of the crystal manufacturers specifications. When in HS mode, the device can have an external clock source to drive the OSC1/CLKIN pin (Figure 13-2). In this mode, the oscillator start-up timer is active for a period of  $1024 \cdot T_{osc}$ . See the PICmicro™ Mid-Range MCU Reference Manual (DS33023) for details on building an external oscillator.

**FIGURE 13-1: CRYSTAL/CERAMIC RESONATOR OPERATION (HS OSC CONFIGURATION)**



**TABLE 13-1: CERAMIC RESONATORS**

| Ranges Tested: |         |      |      |
|----------------|---------|------|------|
| Mode           | Freq    | OSC1 | OSC2 |
| HS             | 6.0 MHz | TBD  | TBD  |

**These values are for design guidance only.** See notes at bottom of page.

**TABLE 13-2: CAPACITOR SELECTION FOR CRYSTAL OSCILLATOR**

| Osc Type | Crystal Freq | Cap. Range C1 | Cap. Range C2 |
|----------|--------------|---------------|---------------|
| HS       | 6.0 MHz      | TBD           | TBD           |

**These values are for design guidance only.** See notes at bottom of page.

- Note 1:** Higher capacitance increases the stability of the oscillator, but also increases the start-up time.
- 2: Since each resonator/crystal has its own characteristics, the user should consult the resonator/crystal manufacturer for appropriate values of external components.
  - 3: Rs may be required in HS mode to avoid overdriving crystals with low drive level specification.
  - 4: When migrating from other PICmicro devices, oscillator performance should be verified.
  - 5: Users should consult the USB Specification 1.0 to ensure their resonator/crystal oscillator meets the required jitter limits for USB operation.

### 13.2.3 H4 MODE

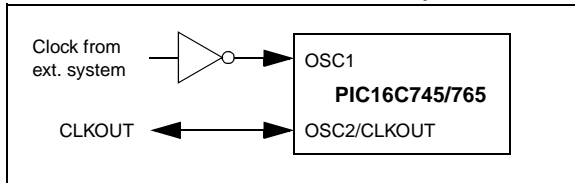
In H4 mode, a PLL module is switched on in-line with the clock provided across OSC1 and OSC2. The output of the PLL drives FINT.



## 13.2.4 EXTERNAL CLOCK IN

In EC mode, users may directly drive the PIC16C745/765 provided that this external clock source meets the AC/DC timing requirements listed in Section 17.4. Figure 13-2 below shows how an external clock circuit should be configured.

**FIGURE 13-2: EXTERNAL CLOCK INPUT OPERATION (EC OSC CONFIGURATION)**

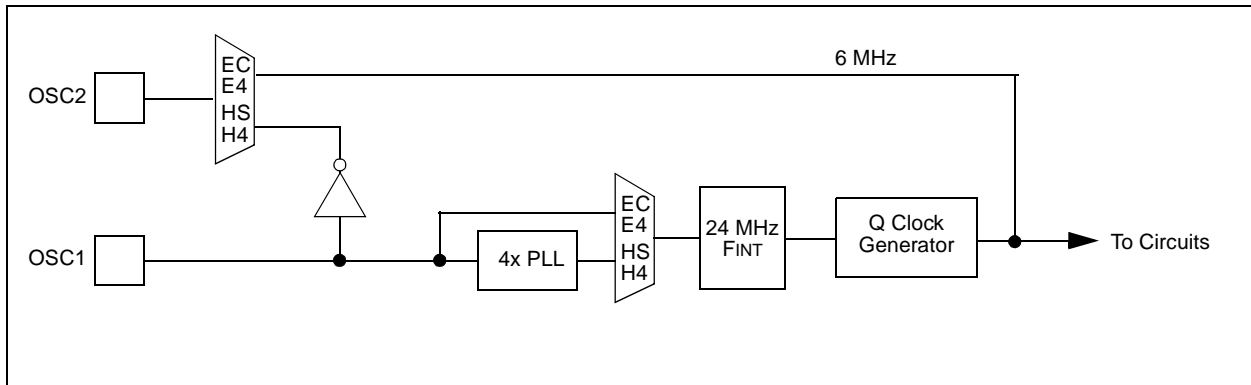


## 13.2.5 E4 MODE

In E4 mode, a PLL module is switched on in-line with the clock provided to OSC1. The output of the PLL drives FINT.

**Note:** CLKOUT is the same frequency as OSC1 if in E4 mode, otherwise CLKOUT = OSC1/4.

**FIGURE 13-3: OSCILLATOR/PLL CLOCK CONTROL**



## 13.3 Reset

The PIC16CXX differentiates between various kinds of reset:

- Power-on Reset (POR)
- $\overline{\text{MCLR}}$  reset during normal operation
- $\overline{\text{MCLR}}$  reset during SLEEP
- WDT Reset (normal operation)
- Brown-out Reset (BOR)

Some registers are not affected in any reset condition; their status is unknown on POR and unchanged in any other reset. Most other registers are reset to a "reset state" on POR, on the  $\overline{\text{MCLR}}$  and WDT Reset, on  $\overline{\text{MCLR}}$  reset during SLEEP, and on BOR. The  $\overline{\text{TO}}$  and  $\overline{\text{PD}}$  bits are set or cleared differently in different reset situations as indicated in Table 13-4. These bits are used in software to determine the nature of the reset. See Table 13-7 for a full description of reset states of all registers.

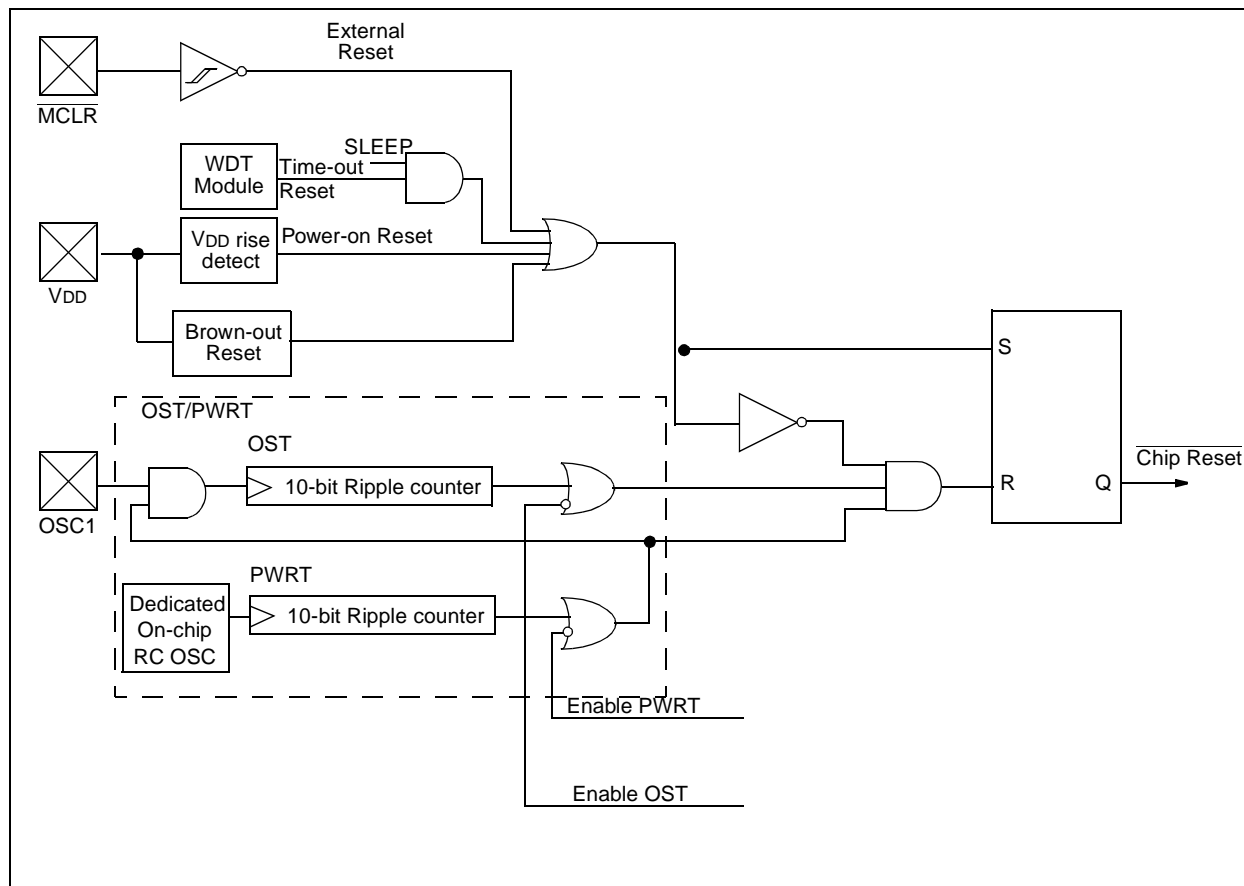
A simplified block diagram of the on-chip reset circuit is shown in Figure 13-4.

The PICmicro® devices have a  $\overline{\text{MCLR}}$  noise filter in the  $\overline{\text{MCLR}}$  reset path. The filter will detect and ignore small pulses.

It should be noted that a WDT reset does not drive  $\overline{\text{MCLR}}$  pin low.

# PIC16C745/765

FIGURE 13-4: SIMPLIFIED BLOCK DIAGRAM OF ON-CHIP RESET CIRCUIT



## 13.4 Resets

### 13.4.1 POWER-ON RESET (POR)

A Power-on Reset pulse is generated on-chip when VDD rise is detected (in the range of 1.5V - 2.1V). To take advantage of the POR, just tie the  $\overline{\text{MCLR}}$  pin directly (or through a resistor) to VDD. This will eliminate external RC components usually needed to create a POR. A maximum rise time for VDD is specified. See Electrical Specifications for details.

When the device starts normal operation (exits the reset condition), device operating parameters (voltage, frequency, temperature) must be met to ensure operation. If these conditions are not met, the device must be held in reset until the operating conditions are met. Brown-out reset may be used to meet the startup conditions.

For additional information, refer to Application Note AN607, "Power-up Trouble Shooting."

### 13.4.2 POWER-UP TIMER (PWRT)

The Power-up Timer provides a fixed 72 ms nominal time-out on power-up from the POR. The PWRT operates on an internal RC oscillator. The device is kept in reset as long as the PWRT is active. The PWRT's time delay allows VDD to rise to an acceptable level. A configuration bit is provided to enable/disable the PWRT.

The power-up time delay will vary from chip to chip due to VDD, temperature and process variation. See DC parameters for details (TPWRT, parameter #33).

### 13.4.3 OSCILLATOR START-UP TIMER (OST)

The Oscillator Start-up Timer provides a delay of 1024 oscillator cycles (from OSC1 input) after the PWRT delay. This ensures that the crystal oscillator or resonator has started and stabilized.

The OST time-out is invoked only for HS mode and only on power-on reset or wake-up from SLEEP.

### 13.4.4 BROWN-OUT RESET (BOR)

If VDD falls below VBOR (parameter D005) for longer than TBOR (parameter #35), the brown-out situation will reset the device. If VDD falls below VBOR for less than TBOR, a reset may not occur.

Once the brown-out occurs, the device will remain in brown-out reset until VDD rises above VBOR. The power-up timer then keeps the device in reset for TPWRT (parameter #33). If VDD should fall below VBOR during TPWRT, the brown-out reset process will restart when VDD rises above VBOR with the power-up timer reset. Since the device is intended to operate at 5V nominal only, the brown-out detect is always enabled and the device will reset when VDD falls below the brown-out threshold. This device is unique in that the 4•WDT timer will not activate after a brown-out if  $\overline{\text{PWRTE}} = 1$  (inactive).

### 13.4.5 TIME-OUT SEQUENCE

On power-up, the time-out sequence is as follows: The PWRT delay starts (if enabled) when a POR reset occurs. Then OST starts counting 1024 oscillator cycles when PWRT ends (HS). When the OST ends, the device comes out of RESET.

If  $\overline{\text{MCLR}}$  is kept low long enough, the time-outs will expire. Bringing  $\overline{\text{MCLR}}$  high will begin execution immediately. This is useful for testing purposes or to synchronize more than one PIC16CXX device operating in parallel.

Table 13-5 shows the reset conditions for the STATUS, PCON and PC registers, while Table 13-7 shows the reset conditions for all the registers.

### 13.4.6 POWER CONTROL/STATUS REGISTER (PCON)

The Brown-out Reset Status bit,  $\overline{\text{BOR}}$ , is unknown on a POR. It must be set by the user and checked on subsequent resets to see if bit  $\overline{\text{BOR}}$  was cleared, indicating a BOR occurred. The  $\overline{\text{BOR}}$  bit is not predictable if the brown-out reset circuitry is disabled.

The Power-on Reset Status bit,  $\overline{\text{POR}}$ , is cleared on a POR and unaffected otherwise. The user must set this bit following a POR and check it on subsequent resets to see if it has been cleared.

# PIC16C745/765

## 13.5 Time-out in Various Situations

TABLE 13-3: RESET TIME-OUTS

| Oscillator Configuration | POR                                  |                              | BORt                                 |                              | Wake-up from SLEEP           |
|--------------------------|--------------------------------------|------------------------------|--------------------------------------|------------------------------|------------------------------|
|                          | PWRT $\bullet$ TOSC = 0              | PWRT $\bullet$ TOSC = 1      | PWRT $\bullet$ TOSC = 0              | PWRT $\bullet$ TOSC = 1      |                              |
| HS                       | TPWRT + 1024 $\bullet$ TOSC          | 1024 $\bullet$ TOSC          | TPWRT + 1024 $\bullet$ TOSC          | 1024 $\bullet$ TOSC          | 1024 $\bullet$ TOSC          |
| H4                       | TPWRT + TPLLRT + 1024 $\bullet$ TOSC | TPLLRT + 1024 $\bullet$ TOSC | TPWRT + TPLLRT + 1024 $\bullet$ TOSC | TPLLRT + 1024 $\bullet$ TOSC | TPLLRT + 1024 $\bullet$ TOSC |
| EC                       | TPWRT                                | 0                            | TPWRT                                | 0                            | 0                            |
| E4                       | TPWRT + TPLLRT                       | TPLLRT                       | TPWRT + TPLLRT                       | TPLLRT                       | TPLLRT                       |

TABLE 13-4: STATUS BITS AND THEIR SIGNIFICANCE

| POR | BOR | $\overline{TO}$ | $\overline{PD}$ |  |
|-----|-----|-----------------|-----------------|--|
| 0   | x   | 1               | 1               | Power-on Reset   |
| 0   | x   | 0               | x               | Illegal, $\overline{TO}$ is set on $\overline{POR}$                  |
| 0   | x   | x               | 0               | Illegal, $\overline{PD}$ is set on $\overline{POR}$                  |
| 1   | 0   | 1               | 1               | Brown-out Reset  |
| 1   | 1   | 0               | 1               | WDT Reset  |
| 1   | 1   | 0               | 0               | WDT Wake-up  |
| 1   | 1   | u               | u               | $\overline{MCLR}$ Reset during normal operation                      |
| 1   | 1   | 1               | 0               | $\overline{MCLR}$ Reset during SLEEP or interrupt wake-up from SLEEP |

TABLE 13-5: RESET CONDITION FOR SPECIAL REGISTERS

| Condition                                       | Program Counter       | STATUS Register | PCON Register |
|---|-----------------------|-----------------|---------------|
| Power-on Reset                                  | 000h                  | 0001 1xxx       | ---- --0x     |
| $\overline{MCLR}$ Reset during normal operation | 000h                  | 000u uuuu       | ---- --uu     |
| $\overline{MCLR}$ Reset during SLEEP            | 000h                  | 0001 0uuu       | ---- --uu     |
| WDT Reset                                       | 000h                  | 0000 1uuu       | ---- --uu     |
| WDT Wake-up                                     | PC + 1                | uuu0 0uuu       | ---- --uu     |
| Brown-out Reset                                 | 000h                  | 000x xuuu       | ---- --u0     |
| Interrupt wake-up from SLEEP                    | PC + 1 <sup>(1)</sup> | uuu1 0uuu       | ---- --uu     |

Legend: u = unchanged, x = unknown, - = unimplemented bit read as '0'.

**Note 1:** When the wake-up is due to an interrupt and the GIE bit is set, the PC is loaded with the interrupt vector (0004h).

TABLE 13-6: REGISTERS ASSOCIATED WITH RESETS

| Address              | Name   | Bit 7 | Bit 6 | Bit 5 | Bit 4           | Bit 3           | Bit 2 | Bit 1            | Bit 0 | Value on: POR, BOR | Value on all other resets |
|----------------------|--------|-------|-------|-------|-----------------|-----------------|-------|------------------|-------|--------------------|---------------------------|
| 03h, 83h, 103h, 183h | Status | IRP   | RP1   | RP0   | $\overline{TO}$ | $\overline{PD}$ | Z     | DC               | C     | 0001 1xxx          | 000q quuu                 |
| 8Eh                  | PCON   | —     | —     | —     | —               | —               | —     | $\overline{POR}$ | BOR   | ---- --pq          | ---- --uu                 |

Legend: x = unknown, u = unchanged, - = unimplemented locations read as '0'.

**TABLE 13-7: INITIALIZATION CONDITIONS FOR ALL REGISTERS**

| Register             | Power-on Reset<br>Brown-out Reset | MCLR Resets<br>WDT Reset | Wake-up via WDT or<br>Interrupt |
|----------------------|-----------------------------------|--------------------------|---------------------------------|
| W                    | xxxx xxxx                         | uuuu uuuu                | uuuu uuuu                       |
| INDF                 | N/A                               | N/A                      | N/A                             |
| TMR0                 | xxxx xxxx                         | uuuu uuuu                | uuuu uuuu                       |
| PCL                  | 0000h                             | 0000h                    | PC + 1 <sup>(2)</sup>           |
| STATUS               | 0001 1xxx                         | 000q quuu <sup>(3)</sup> | uuuq quuu <sup>(3)</sup>        |
| FSR                  | xxxx xxxx                         | uuuu uuuu                | uuuu uuuu                       |
| PORTA                | --0x 0000                         | --0u 0000                | --uu uuuu                       |
| PORTB                | xxxx xxxx                         | uuuu uuuu                | uuuu uuuu                       |
| PORTC                | xx-- -xxx                         | uu-- -uuu                | uu-- -uuu                       |
| PORTD <sup>(4)</sup> | xxxx xxxx                         | uuuu uuuu                | uuuu uuuu                       |
| PORTE <sup>(4)</sup> | ---- -xxx                         | ---- -uuu                | ---- -uuu                       |
| PCLATH               | ---0 0000                         | ---0 0000                | ---u uuuu                       |
| INTCON               | 0000 000x                         | 0000 000u                | uuuu uuuu <sup>(1)</sup>        |
| PIR1                 | 0000 0000                         | 0000 0000                | uuuu uuuu <sup>(1)</sup>        |
| PIR2                 | ---- --0                          | ---- --0                 | ---- --u <sup>(1)</sup>         |
| TMR1L                | xxxx xxxx                         | uuuu uuuu                | uuuu uuuu                       |
| TMR1H                | xxxx xxxx                         | uuuu uuuu                | uuuu uuuu                       |
| T1CON                | --00 0000                         | --uu uuuu                | --uu uuuu                       |
| TMR2                 | 0000 0000                         | 0000 0000                | uuuu uuuu                       |
| T2CON                | -000 0000                         | -000 0000                | -uuu uuuu                       |
| CCPR1L               | xxxx xxxx                         | uuuu uuuu                | uuuu uuuu                       |
| CCPR1H               | xxxx xxxx                         | uuuu uuuu                | uuuu uuuu                       |
| CCP1CON              | --00 0000                         | --00 0000                | --uu uuuu                       |
| RCSTA                | 0000 -00x                         | 0000 -00x                | uuuu -uuu                       |
| TXREG                | 0000 0000                         | 0000 0000                | uuuu uuuu                       |
| RCREG                | 0000 0000                         | 0000 0000                | uuuu uuuu                       |
| CCPR2L               | xxxx xxxx                         | uuuu uuuu                | uuuu uuuu                       |
| CCPR2H               | xxxx xxxx                         | uuuu uuuu                | uuuu uuuu                       |
| CCP2CON              | 0000 0000                         | 0000 0000                | uuuu uuuu                       |
| ADRES                | xxxx xxxx                         | uuuu uuuu                | uuuu uuuu                       |
| ADCON0               | 0000 00-0                         | 0000 00-0                | uuuu uu-u                       |
| OPTION_REG           | 1111 1111                         | 1111 1111                | uuuu uuuu                       |
| TRISA                | --11 1111                         | --11 1111                | --uu uuuu                       |
| TRISB                | 1111 1111                         | 1111 1111                | uuuu uuuu                       |
| TRISC                | 11-- -111                         | 11-- -111                | uu-- -uuu                       |
| TRISD <sup>(4)</sup> | 1111 1111                         | 1111 1111                | uuuu uuuu                       |

Legend: u = unchanged, x = unknown, - = unimplemented bit, read as '0', q = value depends on condition

**Note 1:** One or more bits in INTCON, PIR1 and/or PIR2 will be affected (to cause wake-up).

**2:** When the wake-up is due to an interrupt and the GIE bit is set, the PC is loaded with the interrupt vector (0004h).

**3:** See Table 13-5 for reset value for specific condition.

**4:** PIC16C765 only.

# PIC16C745/765

**TABLE 13-7: INITIALIZATION CONDITIONS FOR ALL REGISTERS (CONTINUED)**

| Register             | Power-on Reset<br>Brown-out Reset    | MCLR Resets<br>WDT Reset | Wake-up via WDT or<br>Interrupt |
|----------------------|--------------------------------------|--------------------------|---------------------------------|
| TRISE <sup>(4)</sup> | 0000 -111                            | 0000 -111                | uuuu -uuu                       |
| PIE1                 | 0000 0000                            | 0000 0000                | uuuu uuuu                       |
| PIE2                 | ---- ---0                            | ---- ---0                | ---- ---u                       |
| PCON                 | ---- --0 <sub>q</sub> <sup>(3)</sup> | ---- --uu                | ---- --uu                       |
| PR2                  | 1111 1111                            | 1111 1111                | 1111 1111                       |
| TXSTA                | 0000 -010                            | 0000 -010                | uuuu -uuu                       |
| SPBRG                | 0000 0000                            | 0000 0000                | uuuu uuuu                       |
| ADCON1               | ---- -000                            | ---- -000                | ---- -uuu                       |
| UIR                  | --00 0000                            | --00 0000                | --00 0000                       |
| UIE                  | --00 0000                            | --00 0000                | --00 0000                       |
| UEIR                 | 0000 0000                            | 0000 0000                | 0000 0000                       |
| UEIE                 | 0000 0000                            | 0000 0000                | 0000 0000                       |
| USTAT                | ---x xx--                            | ---u uu--                | ---u uu--                       |
| UCTRL                | --x0 000-                            | --xq qq-                 | --xq qq-                        |
| UADDR                | -000 0000                            | -000 0000                | -000 0000                       |
| USWSTAT              | 0000 0000                            | 0000 0000                | 0000 0000                       |
| UEP0                 | ---- 0000                            | ---- 0000                | ---- 0000                       |
| UEP1                 | ---- 0000                            | ---- 0000                | ---- 0000                       |
| UEP2                 | ---- 0000                            | ---- 0000                | ---- 0000                       |

Legend: u = unchanged, x = unknown, - = unimplemented bit, read as '0', q = value depends on condition

**Note 1:** One or more bits in INTCON, PIR1 and/or PIR2 will be affected (to cause wake-up).

**2:** When the wake-up is due to an interrupt and the GIE bit is set, the PC is loaded with the interrupt vector (0004h).

**3:** See Table 13-5 for reset value for specific condition.

**4:** PIC16C765 only.

## 13.6 Interrupts

The interrupt control register (INTCON) records individual interrupt requests in flag bits. It also has individual and global interrupt enable bits.

**Note:** Individual interrupt flag bits are set, regardless of the status of their corresponding mask bit or the GIE bit.

A global interrupt enable bit, GIE (INTCON<7>) enables (if set) all un-masked interrupts or disables (if cleared) all interrupts. When bit GIE is enabled, and an interrupt's flag bit and mask bit are set, the interrupt will vector immediately. Individual interrupts can be disabled through their corresponding enable bits in various registers. Individual interrupt bits are set, regardless of the status of the GIE bit. The GIE bit is cleared on reset.

The "return from interrupt" instruction, RETFIE, exits the interrupt routine, as well as sets the GIE bit, which re-enables interrupts.

The RB0/INT pin interrupt, the RB port change interrupt and the TMR0 overflow interrupt flags are contained in the INTCON register.

The peripheral interrupt flags are contained in the special function registers PIR1 and PIR2. The corresponding interrupt enable bits are contained in special function registers PIE1 and PIE2 and the peripheral interrupt enable bit is contained in special function register INTCON.

When an interrupt is responded to, the GIE bit is cleared to disable any further interrupt, the return address is pushed onto the stack, and the PC is loaded with 0004h. Once in the interrupt service routine, the source(s) of the interrupt can be determined by polling the interrupt flag bits. The interrupt flag bit(s) must be cleared in software before re-enabling interrupts to avoid recursive interrupts.

For external interrupt events, such as the INT pin or PORTB change interrupt, the interrupt latency will be three or four instruction cycles. The exact latency depends when the interrupt event occurs. The latency is the same for one or two cycle instructions. Individual interrupt flag bits are set, regardless of the status of their corresponding mask bit or the GIE bit.

**Note:** If an interrupt occurs while the Global Interrupt Enable (GIE) bit is being cleared, the GIE bit may unintentionally be re-enabled by the user's Interrupt Service Routine (the RETFIE instruction). The events that would cause this to occur are:

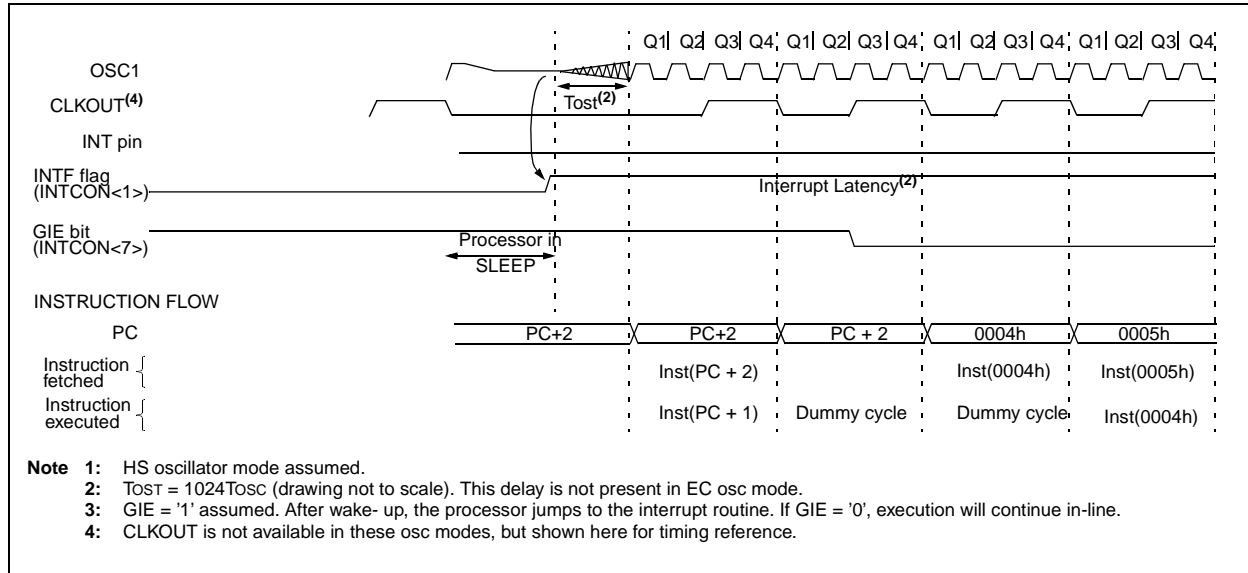
1. An instruction clears the GIE bit while an interrupt is acknowledged.
2. The program branches to the interrupt vector and executes the interrupt service routine.
3. The interrupt service routine completes the execution of the RETFIE instruction. This causes the GIE bit to be set (enables interrupts), and the program returns to the instruction after the one which was meant to disable interrupts.

Perform the following to ensure that interrupts are globally disabled:

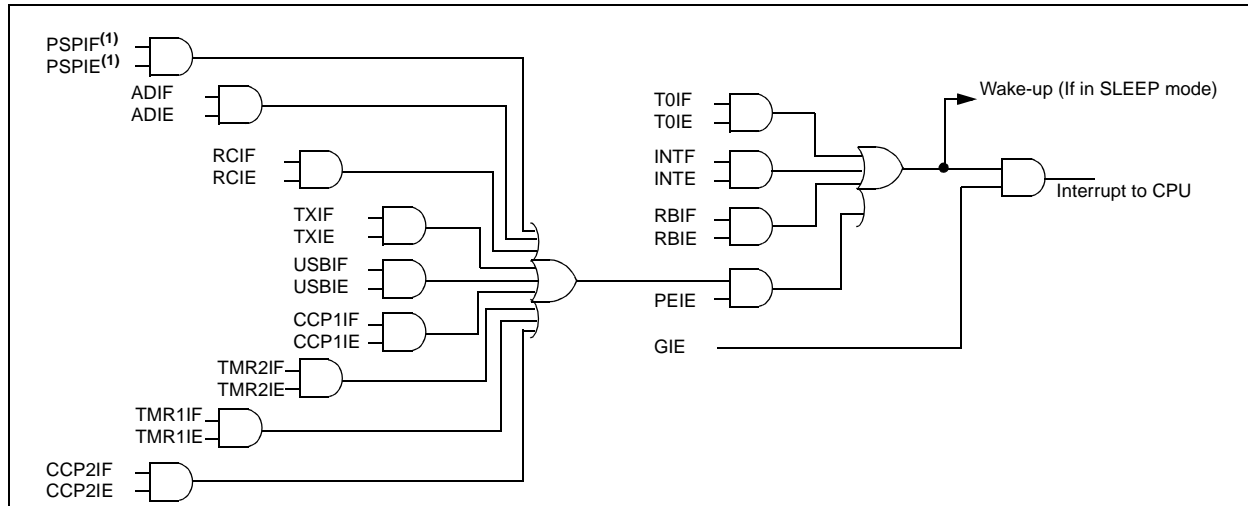
```

LOOP BCF    INTCON, GIE    ; Disable global
                        ; interrupt bit
      BTFSC INTCON, GIE    ; Global interrupt
                        ; disabled?
      GOTO  LOOP          ; NO, try again
      :                  ; Yes, continue
                        ; with program
                        ; flow
    
```

**FIGURE 13-5: WAKE-UP FROM SLEEP THROUGH INTERRUPT**



**FIGURE 13-6: INTERRUPT LOGIC**



The following table shows the interrupts for each device.

| Device    | TOIF | INTF | RBIF | PSPIF | ADIF | RCIF | TXIF | USBIF | CCP1IF | TMR2IF | TMR1IF | CCP2IF |
|-----------|------|------|------|-------|------|------|------|-------|--------|--------|--------|--------|
| PIC16C745 | Yes  | Yes  | Yes  | —     | Yes  | Yes  | Yes  | Yes   | Yes    | Yes    | Yes    | Yes    |
| PIC16C765 | Yes  | Yes  | Yes  | Yes   | Yes  | Yes  | Yes  | Yes   | Yes    | Yes    | Yes    | Yes    |

**Note 1:** PIC16C765 only.



## 13.6.1 INT INTERRUPT

The external interrupt on RB0/INT pin is edge triggered: either rising, if bit INTEDG (OPTION\_REG<6>) is set or falling, if the INTEDG bit is clear. When a valid edge appears on the RB0/INT pin, flag bit INTF (INTCON<1>) is set. This interrupt can be disabled by clearing enable bit INTE (INTCON<4>). Flag bit INTF must be cleared in software in the interrupt service routine before re-enabling this interrupt. The INT interrupt can wake-up the processor from SLEEP, if bit INTE was set prior to going into SLEEP. The status of global interrupt enable bit GIE decides whether or not the processor branches to the interrupt vector following wake-up. See Section 13.9 for details on SLEEP mode.

## 13.6.2 TMR0 INTERRUPT

An overflow (FFh → 00h) in the TMR0 register will set flag bit T0IF (INTCON<2>). The interrupt can be enabled/disabled by setting/clearing enable bit T0IE (INTCON<5>). (Section 6.0)

## 13.6.3 PORTB INTERRUPT ON CHANGE

An input change on PORTB<7:4> sets flag bit RBIF (INTCON<0>). The interrupt can be enabled/disabled by setting/clearing enable bit RBIE (INTCON<4>). (Section 5.2)

**Note:** If a change on the I/O pin should occur when the read operation is being executed (start of the Q2 cycle), then the RBIF interrupt flag may not get set.

## 13.7 Context Saving During Interrupts

During an interrupt, only the PC is saved on the stack. At the very least, W and STATUS should be saved to preserve the context for the interrupted program. All registers that may be corrupted by the ISR, such as PCLATH or FSR, should be saved.

Example 13-1 stores and restores the STATUS, W and PCLATH registers. The register, W\_TEMP, is defined in Common RAM, the last 16 bytes of each bank that may be accessed from any bank. The STATUS\_TEMP and PCLATH\_TEMP are defined in bank 0.

The example:

- a) Stores the W register.
- b) Stores the STATUS register in bank 0.
- c) Stores the PCLATH register in bank 0.
- d) Executes the ISR code.
- e) Restores the PCLATH register.
- f) Restores the STATUS register
- g) Restores W.

Note that W\_TEMP, STATUS\_TEMP and PCLATH\_TEMP are defined in the common RAM area (70h - 7Fh) to avoid register bank switching during context save and restore.

### EXAMPLE 13-1: SAVING STATUS, W, AND PCLATH REGISTERS IN RAM

```
#define W_TEMP          0x70
#define STATUS_TEMP    0x71
#define PCLATH_TEMP    0x72
    org 0x04           ; start at Interrupt Vector
    MOVWF W_TEMP      ; Save W register
    MOVF STATUS,W
    MOVWF STATUS_TEMP ; save STATUS
    MOVF PCLATH,W
    MOVWF PCLATH_TEMP ; save PCLATH
    :
    (Interrupt Service Routine)
    :
    MOVF PCLATH_TEMP,W
    MOVWF PCLATH
    MOVF STATUS_TEMP,W
    MOVWF STATUS
    SWAPF W_TEMP,F    ;
    SWAPF W_TEMP,W    ; swapf loads W without affecting STATUS flags
    RETFIE
```

# PIC16C745/765

## 13.8 Watchdog Timer (WDT)

The watchdog timer is a free running on-chip dedicated oscillator, which does not require any external components. The WDT will run, even if the clock on the OSC1/CLKIN and OSC2/CLKOUT pins of the device has been stopped, for example, by execution of a SLEEP instruction.

During normal operation, a WDT time-out generates a device RESET (Watchdog Timer Reset). If the device is in SLEEP mode, a WDT time-out causes the device to wake-up and resume normal operation (Watchdog Timer Wake-up).

The WDT can be permanently disabled by clearing configuration bit WDTE (Section 13.1).

### 13.8.1 WDT PERIOD

The WDT has a nominal time-out period of 18 ms (parameter #31, TWDT). The time-out periods vary with temperature, VDD and process variations. If longer time-out periods are desired, a prescaler with a division

ratio of up to 1:128 can be assigned to the WDT under software control by writing to the OPTION register. Time-out periods up to 128 TWDT can be realized.

The CLRWDT and SLEEP instructions clear the WDT and the postscaler, if assigned to the WDT. In addition, the SLEEP instruction prevents the WDT from generating a reset, but will allow the WDT to wake the device from sleep mode.

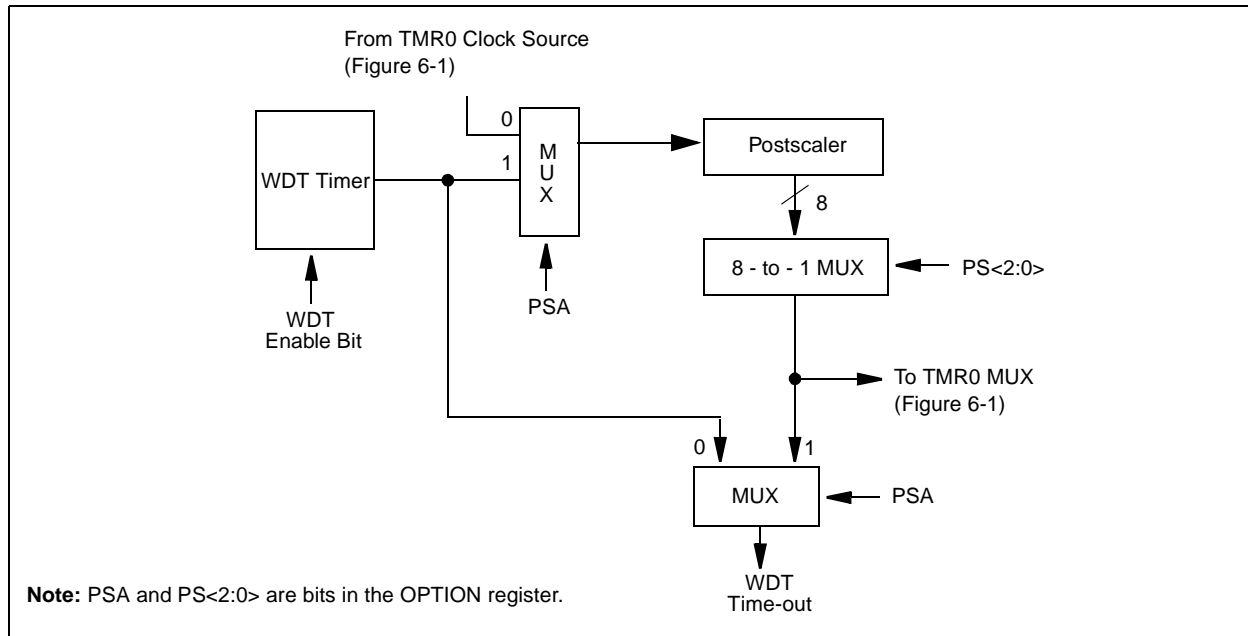
The  $\overline{TO}$  bit in the STATUS register will be cleared upon a WDT time-out.

### 13.8.2 WDT PROGRAMMING CONSIDERATIONS

It should also be taken into account that under worst case conditions (VDD = Min., Temperature = Max., and max. WDT prescaler) it may take several seconds before a WDT time-out occurs.

**Note:** When a CLRWDT instruction is executed and the prescaler is assigned to the WDT, the prescaler count will be cleared, but the prescaler assignment is not changed.

**FIGURE 13-7: WATCHDOG TIMER BLOCK DIAGRAM**



**TABLE 13-8: SUMMARY OF WATCHDOG TIMER REGISTERS**

| Address  | Name         | Bit 7            | Bit 6                | Bit 5 | Bit 4 | Bit 3                | Bit 2 | Bit 1 | Bit 0 | Value on POR, BOR | Value on All Other Resets |
|----------|--------------|------------------|----------------------|-------|-------|----------------------|-------|-------|-------|-------------------|---------------------------|
| 2007h    | Config. bits | —                | BODEN <sup>(1)</sup> | CP1   | CP0   | PWRTE <sup>(1)</sup> | WDTE  | PLL   | FOSC0 |                   |                           |
| 81h,181h | OPTION_REG   | RBP <sub>U</sub> | INTEDG               | T0CS  | T0SE  | PSA                  | PS2   | PS1   | PS0   | 1111 1111         | 1111 1111                 |

Legend: Shaded cells are not used by the Watchdog Timer.

**Note 1:** See Register 13-1 for operation of these bits.

## 13.9 Power-Down Mode (SLEEP)

Power-down mode is entered by executing a `SLEEP` instruction.

If enabled, the WDT will be cleared but keeps running, the  $\overline{PD}$  bit (`STATUS<3>`) is cleared, the  $\overline{TO}$  (`STATUS<4>`) bit is set, and the oscillator driver is turned off. The I/O ports maintain the status they had, before the `SLEEP` instruction was executed (driving high, low, or hi-impedance).

For lowest current consumption in this mode, place all I/O pins at either  $V_{DD}$  or  $V_{SS}$ , ensure no external circuitry is drawing current from the I/O pin, power-down the A/D, and disable external clocks. Pull all I/O pins that are hi-impedance inputs, high or low externally, to avoid switching currents caused by floating inputs. The `TOCKI` input should also be at  $V_{DD}$  or  $V_{SS}$  for lowest current consumption. The contribution from on-chip pull-ups on `PORTB` should be considered.

The  $\overline{MCLR}$  pin must be at a logic high level ( $V_{IHMC}$ ).

### 13.9.1 WAKE-UP FROM SLEEP

The device can wake up from `SLEEP` through one of the following events:

1. External reset input on  $\overline{MCLR}$  pin.
2. Watchdog Timer Wake-up (if WDT was enabled).
3. Interrupt from `INT` pin, RB port change or some Peripheral Interrupts.

External  $\overline{MCLR}$  reset will cause a device reset. All other events are considered a continuation of program execution and cause a "wake-up". The  $\overline{TO}$  and  $\overline{PD}$  bits in the `STATUS` register can be used to determine the cause of device reset. The  $\overline{PD}$  bit, which is set on power-up, is cleared when `SLEEP` is invoked. The  $\overline{TO}$  bit is cleared if a WDT time-out occurred (and caused wake-up).

The following peripheral interrupts can wake the device from `SLEEP`:

1. TMR1 interrupt. Timer1 must be operating as an asynchronous counter.
2. USB Interrupt
3. CCP capture mode interrupt.
4. Parallel slave port read or write. (PIC16C765 only)
5. A/D conversion (when A/D clock source is dedicated internal oscillator).
6. USART TX or RX (synchronous slave mode).

Other peripherals cannot generate interrupts since during `SLEEP`, no on-chip Q clocks are present.

When the `SLEEP` instruction is being executed, the next instruction (`PC + 1`) is pre-fetched. For the device to wake-up through an interrupt event, the corresponding interrupt enable bit must be set (enabled). Wake-up is regardless of the state of the `GIE` bit. If the `GIE` bit is clear (disabled), the device continues execution at the instruction after the `SLEEP` instruction. If the `GIE` bit is set (enabled), the device executes the instruction after the `SLEEP` instruction and then branches to the interrupt address (0004h). In cases where the execution of the instruction following `SLEEP` is not desirable, the user should have a `NOP` after the `SLEEP` instruction.

### 13.9.2 WAKE-UP USING INTERRUPTS

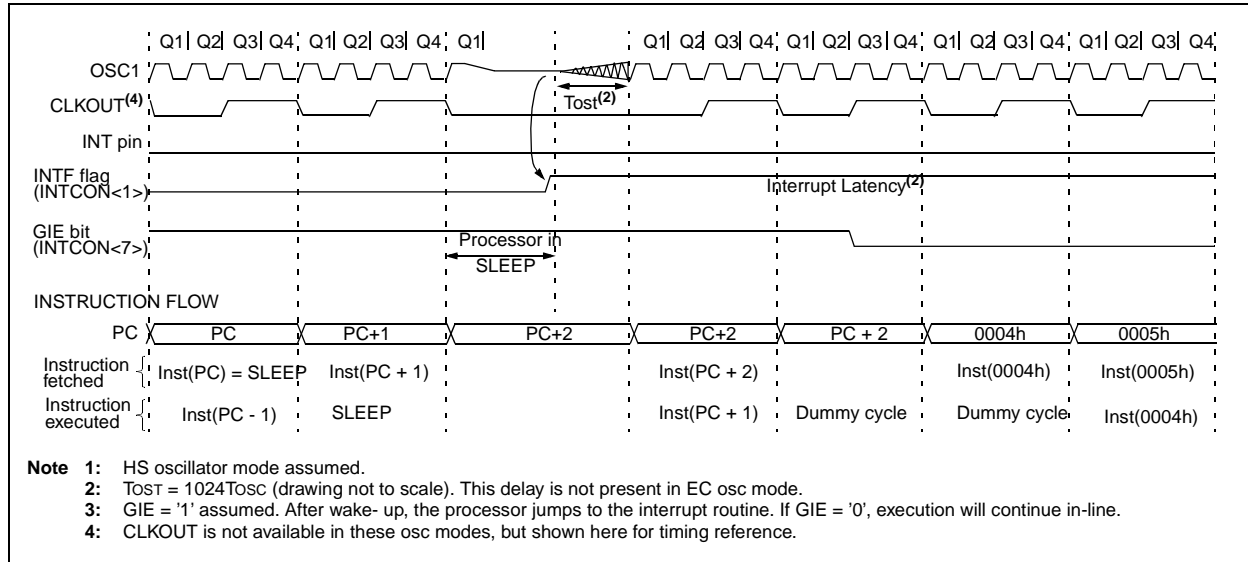
When global interrupts are disabled (`GIE` cleared) and any interrupt source has both its interrupt enable bit and interrupt flag bit set, one of the following will occur:

- If the interrupt occurs **before** the execution of a `SLEEP` instruction, the `SLEEP` instruction will complete as a `NOP`. Therefore, the WDT and WDT postscaler will not be cleared, the  $\overline{TO}$  bit will not be set and  $\overline{PD}$  bit will not be cleared.
- If the interrupt occurs **during or after** the execution of a `SLEEP` instruction, the device will immediately wake up from sleep. The `SLEEP` instruction will be completely executed before the wake-up. Therefore, the WDT and WDT postscaler will be cleared, the  $\overline{TO}$  bit will be set and the  $\overline{PD}$  bit will be cleared.

Even if the flag bits were checked before executing a `SLEEP` instruction, it may be possible for flag bits to become set before the `SLEEP` instruction completes. To determine whether a `SLEEP` instruction executed, test the  $\overline{PD}$  bit. If the  $\overline{PD}$  bit is set, the `SLEEP` instruction was executed as a `NOP`.

To ensure that the WDT is cleared, a `CLRWDT` instruction should be executed before a `SLEEP` instruction.

**FIGURE 13-8: WAKE-UP FROM SLEEP THROUGH INTERRUPT**



### 13.10 Program Verification/Code Protection

If the code protection bit(s) have not been programmed, the on-chip program memory can be read out for verification purposes.

**Note:** Microchip does not recommend code protecting windowed devices. Devices that are code protected may be erased, but not programmed again.

### 13.11 ID Locations

Four memory locations (2000h - 2003h) are designated as ID locations where the user can store checksum or other code-identification numbers. These locations are not accessible during normal execution but are readable and writable during program/verify. It is recommended that only the four least significant bits of the ID location are used.

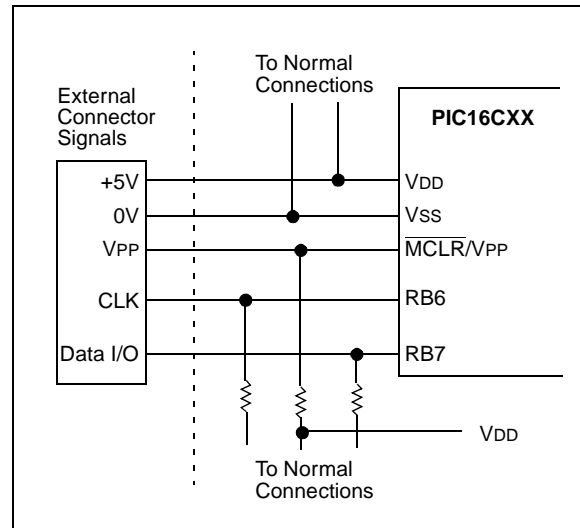
### 13.12 In-Circuit Serial Programming

PIC16CXX microcontrollers can be serially programmed while in the end application circuit. This is simply done with two lines for clock and data, and three other lines for power, ground and the programming voltage. This allows customers to manufacture boards with unprogrammed devices, and then program the microcontroller just before shipping the product. This also allows the most recent firmware or a custom firmware to be programmed.

The device is placed into a program/verify mode by holding the RB6 and RB7 pins low, while raising the MCLR (VPP) pin from  $V_{IL}$  to  $V_{IH}$  (see programming specification). RB6 becomes the programming clock and RB7 becomes the programming data. Both RB6 and RB7 are Schmitt Trigger inputs in this mode.

After reset, to place the device into programming/verify mode, the program counter (PC) is at location 00h. A 6-bit command is then supplied to the device. Depending on the command, 14 bits of program data are then supplied to or from the device, depending if the command was a load or a read. For complete details of serial programming, please refer to the PIC16C6X/7X Programming Specifications (Literature #DS30228).

**FIGURE 13-9: TYPICAL IN-CIRCUIT SERIAL PROGRAMMING CONNECTION**



## 14.0 INSTRUCTION SET SUMMARY

Each PIC16CXX instruction is a 14-bit word divided into an OPCODE, which specifies the instruction type and one or more operands, which further specify the operation of the instruction. The PIC16CXX instruction set summary in Table 14-2 lists **byte-oriented**, **bit-oriented**, and **literal and control** operations. Table 14-1 shows the opcode field descriptions.

For **byte-oriented** instructions, 'f' represents a file register designator and 'd' represents a destination designator. The file register designator specifies which file register is to be used by the instruction.

The destination designator specifies where the result of the operation is to be placed. If 'd' is zero, the result is placed in the W register. If 'd' is one, the result is placed in the file register specified in the instruction.

For **bit-oriented** instructions, 'b' represents a bit field designator which selects the number of the bit affected by the operation, while 'f' represents the number of the file in which the bit is located.

For **literal and control** operations, 'k' represents an eight or eleven bit constant or literal value.

**TABLE 14-1: OPCODE FIELD DESCRIPTIONS**

| Field          | Description   |
|----------------|---|
| f              | Register file address (0x00 to 0x7F)  |
| w              | Working register (accumulator)  |
| b              | Bit address within an 8-bit file register   |
| k              | Literal field, constant data or label   |
| x              | Don't care location (= 0 or 1)<br>The assembler will generate code with x = 0. It is the recommended form of use for compatibility with all Microchip software tools. |
| d              | Destination select; d = 0: store result in W, d = 1: store result in file register f. Default is d = 1  |
| label          | Label name  |
| TOS            | Top of Stack  |
| PC             | Program Counter   |
| PCLATH         | Program Counter High Latch  |
| GIE            | Global Interrupt Enable bit   |
| WDT            | Watchdog Timer/Counter  |
| T $\bar{O}$    | Time-out bit  |
| P $\bar{D}$    | Power-down bit  |
| dest           | Destination either the W register or the specified register file location   |
| [ ]            | Options   |
| ( )            | Contents  |
| →              | Assigned to   |
| < >            | Register bit field  |
| ∈              | In the set of   |
| <i>italics</i> | User defined term (font is courier)   |

The instruction set is highly orthogonal and is grouped into three basic categories:

- **Byte-oriented** operations
- **Bit-oriented** operations
- **Literal and control** operations

All instructions are executed within one single instruction cycle, unless a conditional test is true or the program counter is changed as a result of an instruction. In this case, the execution takes two instruction cycles with the second cycle executed as a NOP. One instruction cycle consists of four oscillator periods. Thus, for an oscillator frequency of 4 MHz, the normal instruction execution time is 1  $\mu$ s. If a conditional test is true or the program counter is changed as a result of an instruction, the instruction execution time is 2  $\mu$ s.

Table 14-2 lists the instructions recognized by the MPASM assembler.

Figure 14-1 shows the general formats that the instructions can have.

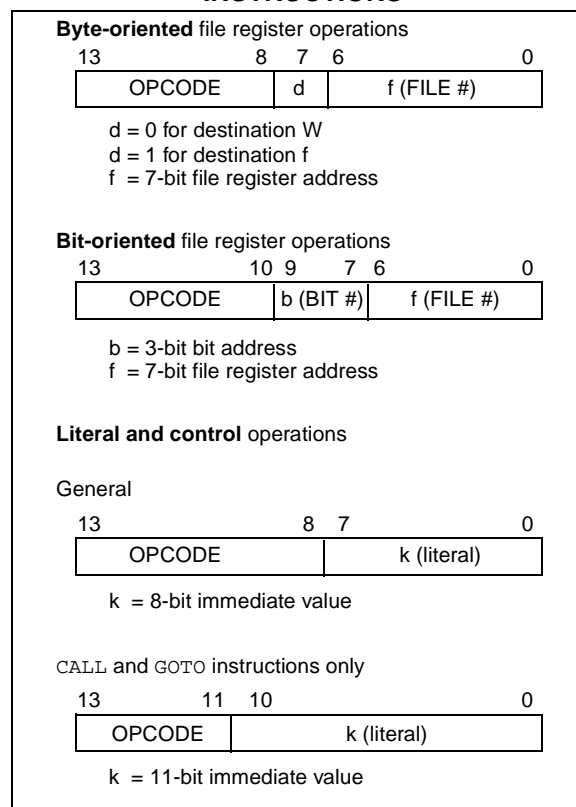
**Note:** To maintain upward compatibility with future PIC16CXX products, do not use the OPTION and TRIS instructions.

All examples use the following format to represent a hexadecimal number:

0xhh

where h signifies a hexadecimal digit.

**FIGURE 14-1: GENERAL FORMAT FOR INSTRUCTIONS**



# PIC16C745/765

TABLE 14-2: PIC16CXX INSTRUCTION SET

| Mnemonic,<br>Operands                         | Description | Cycles                       | 14-Bit Opcode |     |      | Status<br>Affected | Notes |                                |       |
|---|-------------|------------------------------|---------------|-----|------|--------------------|-------|--------------------------------|-------|
|   |             |                              | MSb           | LSb |      |                    |       |                                |       |
| <b>BYTE-ORIENTED FILE REGISTER OPERATIONS</b> |             |                              |               |     |      |                    |       |                                |       |
| ADDWF   | f, d        | Add W and f                  | 1             | 00  | 0111 | dfff               | ffff  | C,DC,Z                         | 1,2   |
| ANDWF   | f, d        | AND W with f                 | 1             | 00  | 0101 | dfff               | ffff  | Z                              | 1,2   |
| CLRF  | f           | Clear f                      | 1             | 00  | 0001 | 1fff               | ffff  | Z                              | 2     |
| CLRW  | -           | Clear W                      | 1             | 00  | 0001 | 0000               | 0011  | Z                              |       |
| COMF  | f, d        | Complement f                 | 1             | 00  | 1001 | dfff               | ffff  | Z                              | 1,2   |
| DECF  | f, d        | Decrement f                  | 1             | 00  | 0011 | dfff               | ffff  | Z                              | 1,2   |
| DECFSZ  | f, d        | Decrement f, Skip if 0       | 1(2)          | 00  | 1011 | dfff               | ffff  |                                | 1,2,3 |
| INCF  | f, d        | Increment f                  | 1             | 00  | 1010 | dfff               | ffff  | Z                              | 1,2   |
| INCFSZ  | f, d        | Increment f, Skip if 0       | 1(2)          | 00  | 1111 | dfff               | ffff  |                                | 1,2,3 |
| IORWF   | f, d        | Inclusive OR W with f        | 1             | 00  | 0100 | dfff               | ffff  | Z                              | 1,2   |
| MOVF  | f, d        | Move f                       | 1             | 00  | 1000 | dfff               | ffff  | Z                              | 1,2   |
| MOVWF   | f           | Move W to f                  | 1             | 00  | 0000 | 1fff               | ffff  |                                |       |
| NOP   | -           | No Operation                 | 1             | 00  | 0000 | 0xx0               | 0000  |                                |       |
| RLF   | f, d        | Rotate Left f through Carry  | 1             | 00  | 1101 | dfff               | ffff  | C                              | 1,2   |
| RRF   | f, d        | Rotate Right f through Carry | 1             | 00  | 1100 | dfff               | ffff  | C                              | 1,2   |
| SUBWF   | f, d        | Subtract W from f            | 1             | 00  | 0010 | dfff               | ffff  | C,DC,Z                         | 1,2   |
| SWAPF   | f, d        | Swap nibbles in f            | 1             | 00  | 1110 | dfff               | ffff  |                                | 1,2   |
| XORWF   | f, d        | Exclusive OR W with f        | 1             | 00  | 0110 | dfff               | ffff  | Z                              | 1,2   |
| <b>BIT-ORIENTED FILE REGISTER OPERATIONS</b>  |             |                              |               |     |      |                    |       |                                |       |
| BCF   | f, b        | Bit Clear f                  | 1             | 01  | 00bb | bfff               | ffff  |                                | 1,2   |
| BSF   | f, b        | Bit Set f                    | 1             | 01  | 01bb | bfff               | ffff  |                                | 1,2   |
| BTFSC   | f, b        | Bit Test f, Skip if Clear    | 1 (2)         | 01  | 10bb | bfff               | ffff  |                                | 3     |
| BTFSS   | f, b        | Bit Test f, Skip if Set      | 1 (2)         | 01  | 11bb | bfff               | ffff  |                                | 3     |
| <b>LITERAL AND CONTROL OPERATIONS</b>         |             |                              |               |     |      |                    |       |                                |       |
| ADDLW   | k           | Add literal and W            | 1             | 11  | 111x | kkkk               | kkkk  | C,DC,Z                         |       |
| ANDLW   | k           | AND literal with W           | 1             | 11  | 1001 | kkkk               | kkkk  | Z                              |       |
| CALL  | k           | Call subroutine              | 2             | 10  | 0kkk | kkkk               | kkkk  |                                |       |
| CLRWDT  | -           | Clear Watchdog Timer         | 1             | 00  | 0000 | 0110               | 0100  | $\overline{TO}, \overline{PD}$ |       |
| GOTO  | k           | Go to address                | 2             | 10  | 1kkk | kkkk               | kkkk  |                                |       |
| IORLW   | k           | Inclusive OR literal with W  | 1             | 11  | 1000 | kkkk               | kkkk  | Z                              |       |
| MOVLW   | k           | Move literal to W            | 1             | 11  | 00xx | kkkk               | kkkk  |                                |       |
| RETFIE  | -           | Return from interrupt        | 2             | 00  | 0000 | 0000               | 1001  |                                |       |
| RETLW   | k           | Return with literal in W     | 2             | 11  | 01xx | kkkk               | kkkk  |                                |       |
| RETURN  | -           | Return from Subroutine       | 2             | 00  | 0000 | 0000               | 1000  |                                |       |
| SLEEP   | -           | Go into standby mode         | 1             | 00  | 0000 | 0110               | 0011  | $\overline{TO}, \overline{PD}$ |       |
| SUBLW   | k           | Subtract W from literal      | 1             | 11  | 110x | kkkk               | kkkk  | C,DC,Z                         |       |
| XORLW   | k           | Exclusive OR literal with W  | 1             | 11  | 1010 | kkkk               | kkkk  | Z                              |       |

- Note 1:** When an I/O register is modified as a function of itself ( e.g., `MOVF PORTB, 1` ), the value used will be that value present on the pins themselves. For example, if the data latch is '1' for a pin configured as input and is driven low by an external device, the data will be written back with a '0'.
- 2:** If this instruction is executed on the TMR0 register (and, where applicable, d = 1), the prescaler will be cleared if assigned to the Timer0 Module.
- 3:** If Program Counter (PC) is modified or a conditional test is true, the instruction requires two cycles. The second cycle is executed as a `NOP`.

**Note:** Additional information on the mid-range instruction set is available in the PICmicro™ Mid-Range MCU Family Reference Manual (DS33023).

## 14.1 Instruction Descriptions

### **ADDLW      Add Literal and W**

**Syntax:**            *[label]* ADDLW    *k*  
**Operands:**         $0 \leq k \leq 255$   
**Operation:**         $(W) + k \rightarrow (W)$   
**Status Affected:**    C, DC, Z  
**Description:**        The contents of the W register are added to the eight bit literal 'k' and the result is placed in the W register.

### **ANDWF      AND W with f**

**Syntax:**            *[label]* ANDWF    *f,d*  
**Operands:**         $0 \leq f \leq 127$   
                            $d \in [0,1]$   
**Operation:**         $(W) .AND. (f) \rightarrow (\text{destination})$   
**Status Affected:**    Z  
**Description:**        AND the W register with register 'f'. If 'd' is 0, the result is stored in the W register. If 'd' is 1, the result is stored back in register 'f'.

### **ADDWF      Add W and f**

**Syntax:**            *[label]* ADDWF    *f,d*  
**Operands:**         $0 \leq f \leq 127$   
                            $d \in [0,1]$   
**Operation:**         $(W) + (f) \rightarrow (\text{destination})$   
**Status Affected:**    C, DC, Z  
**Description:**        Add the contents of the W register with register 'f'. If 'd' is 0, the result is stored in the W register. If 'd' is 1, the result is stored back in register 'f'.

### **BCF         Bit Clear f**

**Syntax:**            *[label]* BCF      *f,b*  
**Operands:**         $0 \leq f \leq 127$   
                            $0 \leq b \leq 7$   
**Operation:**         $0 \rightarrow (f<b>)$   
**Status Affected:**    None  
**Description:**        Bit 'b' in register 'f' is cleared.

### **ANDLW      AND Literal with W**

**Syntax:**            *[label]* ANDLW    *k*  
**Operands:**         $0 \leq k \leq 255$   
**Operation:**         $(W) .AND. (k) \rightarrow (W)$   
**Status Affected:**    Z  
**Description:**        The contents of W register are AND'ed with the eight bit literal 'k'. The result is placed in the W register.

### **BSF         Bit Set f**

**Syntax:**            *[label]* BSF      *f,b*  
**Operands:**         $0 \leq f \leq 127$   
                            $0 \leq b \leq 7$   
**Operation:**         $1 \rightarrow (f<b>)$   
**Status Affected:**    None  
**Description:**        Bit 'b' in register 'f' is set.

# PIC16C745/765

| <b>BTFS</b>      | <b>Bit Test f, Skip if Set</b>  |
|------------------|---|
| Syntax:          | <i>[label]</i> BTFS f,b   |
| Operands:        | $0 \leq f \leq 127$<br>$0 \leq b < 7$   |
| Operation:       | skip if (f<b>) = 1  |
| Status Affected: | None  |
| Description:     | If bit 'b' in register 'f' is '0', the next instruction is executed.<br>If bit 'b' is '1', then the next instruction is discarded and a NOP is executed instead making this a 2TCY instruction. |

| <b>BTFS</b>      | <b>Bit Test, Skip if Clear</b>   |
|------------------|--|
| Syntax:          | <i>[label]</i> BTFS f,b  |
| Operands:        | $0 \leq f \leq 127$<br>$0 \leq b \leq 7$   |
| Operation:       | skip if (f<b>) = 0   |
| Status Affected: | None   |
| Description:     | If bit 'b' in register 'f' is '1', the next instruction is executed.<br>If bit 'b', in register 'f', is '0', the next instruction is discarded, and a NOP is executed instead, making this a 2TCY instruction. |

| <b>CALL</b>      | <b>Call Subroutine</b>  |
|------------------|---|
| Syntax:          | <i>[label]</i> CALL k   |
| Operands:        | $0 \leq k \leq 2047$  |
| Operation:       | (PC)+1 → TOS,<br>k → PC<10:0>,<br>(PCLATH<4:3>) → PC<12:11>   |
| Status Affected: | None  |
| Description:     | Call Subroutine. First, return address (PC+1) is pushed onto the stack. The eleven bit immediate address is loaded into PC bits <10:0>. The upper bits of the PC are loaded from PCLATH. CALL is a two cycle instruction. |

| <b>CLRF</b>      | <b>Clear f</b>   |
|------------------|--|
| Syntax:          | <i>[label]</i> CLRF f  |
| Operands:        | $0 \leq f \leq 127$  |
| Operation:       | 00h → (f)<br>1 → Z   |
| Status Affected: | Z  |
| Description:     | The contents of register 'f' are cleared and the Z bit is set. |

| <b>CLRW</b>      | <b>Clear W</b>                              |
|------------------|---|
| Syntax:          | <i>[label]</i> CLRW                         |
| Operands:        | None  |
| Operation:       | 00h → (W)<br>1 → Z                          |
| Status Affected: | Z   |
| Description:     | W register is cleared. Zero bit (Z) is set. |

| <b>CLRWD</b>     | <b>Clear Watchdog Timer</b>  |
|------------------|--|
| Syntax:          | <i>[label]</i> CLRWD   |
| Operands:        | None   |
| Operation:       | 00h → WDT<br>0 → WDT prescaler,<br>1 → $\overline{TO}$<br>1 → $\overline{PD}$  |
| Status Affected: | $\overline{TO}$ , $\overline{PD}$  |
| Description:     | CLRWD instruction resets the Watchdog Timer. It also resets the prescaler of the WDT. Status bits $\overline{TO}$ and $\overline{PD}$ are set. |



| <b>COMF</b>      | <b>Complement f</b>  |
|------------------|--|
| Syntax:          | [ <i>label</i> ] COMF f,d  |
| Operands:        | 0 ≤ f ≤ 127<br>d ∈ [0,1]   |
| Operation:       | ( $\bar{f}$ ) → (destination)  |
| Status Affected: | Z  |
| Description:     | The contents of register 'f' are complemented. If 'd' is 0, the result is stored in W. If 'd' is 1, the result is stored back in register 'f'. |

| <b>GOTO</b>      | <b>Unconditional Branch</b>   |
|------------------|---|
| Syntax:          | [ <i>label</i> ] GOTO k   |
| Operands:        | 0 ≤ k ≤ 2047  |
| Operation:       | k → PC<10:0><br>PCLATH<4:3> → PC<12:11>   |
| Status Affected: | None  |
| Description:     | GOTO is an unconditional branch. The eleven bit immediate value is loaded into PC bits <10:0>. The upper bits of PC are loaded from PCLATH<4:3>. GOTO is a two cycle instruction. |

| <b>DECF</b>      | <b>Decrement f</b>   |
|------------------|--|
| Syntax:          | [ <i>label</i> ] DECF f,d  |
| Operands:        | 0 ≤ f ≤ 127<br>d ∈ [0,1]   |
| Operation:       | (f) - 1 → (destination)  |
| Status Affected: | Z  |
| Description:     | Decrement register 'f'. If 'd' is 0, the result is stored in the W register. If 'd' is 1, the result is stored back in register 'f'. |

| <b>INCF</b>      | <b>Increment f</b>   |
|------------------|--|
| Syntax:          | [ <i>label</i> ] INCF f,d  |
| Operands:        | 0 ≤ f ≤ 127<br>d ∈ [0,1]   |
| Operation:       | (f) + 1 → (destination)  |
| Status Affected: | Z  |
| Description:     | The contents of register 'f' are incremented. If 'd' is 0, the result is placed in the W register. If 'd' is 1, the result is placed back in register 'f'. |

| <b>DECFSZ</b>    | <b>Decrement f, Skip if 0</b>  |
|------------------|--|
| Syntax:          | [ <i>label</i> ] DECFSZ f,d  |
| Operands:        | 0 ≤ f ≤ 127<br>d ∈ [0,1]   |
| Operation:       | (f) - 1 → (destination);<br>skip if result = 0   |
| Status Affected: | None   |
| Description:     | The contents of register 'f' are decremented. If 'd' is 0, the result is placed in the W register. If 'd' is 1, the result is placed back in register 'f'.<br>If the result is 1, the next instruction is executed. If the result is 0, then a NOP is executed instead making it a 2TCY instruction. |

| <b>INCFSZ</b>    | <b>Increment f, Skip if 0</b>   |
|------------------|---|
| Syntax:          | [ <i>label</i> ] INCFSZ f,d   |
| Operands:        | 0 ≤ f ≤ 127<br>d ∈ [0,1]  |
| Operation:       | (f) + 1 → (destination),<br>skip if result = 0  |
| Status Affected: | None  |
| Description:     | The contents of register 'f' are incremented. If 'd' is 0, the result is placed in the W register. If 'd' is 1, the result is placed back in register 'f'.<br>If the result is 1, the next instruction is executed. If the result is 0, a NOP is executed instead making it a 2TCY instruction. |

# PIC16C745/765

---

## **IORLW**      **Inclusive OR Literal with W**

---

Syntax:      [ *label* ] IORLW k  
Operands:     $0 \leq k \leq 255$   
Operation:    (W) .OR. k  $\rightarrow$  (W)  
Status Affected: Z  
Description:    The contents of the W register are OR'ed with the eight bit literal 'k'. The result is placed in the W register.

## **MOVLW**      **Move Literal to W**

---

Syntax:      [ *label* ] MOVLW k  
Operands:     $0 \leq k \leq 255$   
Operation:    k  $\rightarrow$  (W)  
Status Affected: None  
Description:    The eight bit literal 'k' is loaded into W register. The don't cares will assemble as 0's.

## **IORWF**      **Inclusive OR W with f**

---

Syntax:      [ *label* ] IORWF f,d  
Operands:     $0 \leq f \leq 127$   
               $d \in [0,1]$   
Operation:    (W) .OR. (f)  $\rightarrow$  (destination)  
Status Affected: Z  
Description:    Inclusive OR the W register with register 'f'. If 'd' is 0 the result is placed in the W register. If 'd' is 1 the result is placed back in register 'f'.

## **MOVWF**      **Move W to f**

---

Syntax:      [ *label* ] MOVWF f  
Operands:     $0 \leq f \leq 127$   
Operation:    (W)  $\rightarrow$  (f)  
Status Affected: None  
Description:    Move data from W register to register 'f'.

## **MOVF**      **Move f**

---

Syntax:      [ *label* ] MOVF f,d  
Operands:     $0 \leq f \leq 127$   
               $d \in [0,1]$   
Operation:    (f)  $\rightarrow$  (destination)  
Status Affected: Z  
Description:    The contents of register f are moved to a destination dependant upon the status of d. If d = 0, destination is W register. If d = 1, the destination is file register f itself. d = 1 is useful to test a file register since status flag Z is affected.

## **NOP**      **No Operation**

---

Syntax:      [ *label* ] NOP  
Operands:    None  
Operation:    No operation  
Status Affected: None  
Description:    No operation.

**RETFIE**      **Return from Interrupt**

---

Syntax:        [ *label* ] RETFIE

Operands:      None

Operation:     TOS → PC,  
                  1 → GIE

Status Affected: None

**RLF**            **Rotate Left f through Carry**

---

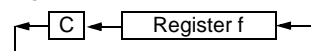
Syntax:        [ *label* ] RLF f,d

Operands:      0 ≤ f ≤ 127  
                  d ∈ [0,1]

Operation:     See description below

Status Affected: C

Description:    The contents of register 'f' are rotated one bit to the left through the Carry Flag. If 'd' is 0, the result is placed in the W register. If 'd' is 1, the result is stored back in register 'f'.



**RETLW**        **Return with Literal in W**

---

Syntax:        [ *label* ] RETLW k

Operands:      0 ≤ k ≤ 255

Operation:     k → (W);  
                  TOS → PC

Status Affected: None

Description:    The W register is loaded with the eight bit literal 'k'. The program counter is loaded from the top of the stack (the return address). This is a two cycle instruction.

**RRF**            **Rotate Right f through Carry**

---

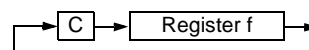
Syntax:        [ *label* ] RRF f,d

Operands:      0 ≤ f ≤ 127  
                  d ∈ [0,1]

Operation:     See description below

Status Affected: C

Description:    The contents of register 'f' are rotated one bit to the right through the Carry Flag. If 'd' is 0, the result is placed in the W register. If 'd' is 1, the result is placed back in register 'f'.



**RETURN**        **Return from Subroutine**

---

Syntax:        [ *label* ] RETURN

Operands:      None

Operation:     TOS → PC

Status Affected: None

Description:    Return from subroutine. The stack is POPed and the top of the stack (TOS) is loaded into the program counter. This is a two cycle instruction.

**SLEEP**

---

Syntax:        [ *label*    SLEEP  
                  ] ]

Operands:      None

Operation:     00h → WDT,  
                  0 → WDT prescaler,  
                  1 →  $\overline{TO}$ ,  
                  0 →  $\overline{PD}$

Status Affected:  $\overline{TO}$ ,  $\overline{PD}$

Description:    The power-down status bit,  $\overline{PD}$  is cleared. Time-out status bit,  $\overline{TO}$  is set. Watchdog Timer and its prescaler are cleared. The processor is put into SLEEP mode with the oscillator stopped. See Section 13.9 for more details.

# PIC16C745/765

---

## **SUBLW**      **Subtract W from Literal**

---

Syntax:      [*label*]    SUBLW k

Operands:     $0 \leq k \leq 255$

Operation:     $k - (W) \rightarrow (W)$

Status Affected: C, DC, Z

Description:    The W register is subtracted (2's complement method) from the eight bit literal 'k'. The result is placed in the W register.

## **XORLW**      **Exclusive OR Literal with W**

---

Syntax:      [*label*]    XORLW k

Operands:     $0 \leq k \leq 255$

Operation:     $(W) .XOR. k \rightarrow (W)$

Status Affected: Z

Description:    The contents of the W register are XOR'ed with the eight bit literal 'k'. The result is placed in the W register.

## **SUBWF**      **Subtract W from f**

---

Syntax:      [*label*]    SUBWF f,d

Operands:     $0 \leq f \leq 127$   
 $d \in [0,1]$

Operation:     $(f) - (W) \rightarrow (\text{destination})$

Status Affected: C, DC, Z

Description:    Subtract (2's complement method) W register from register 'f'. If 'd' is 0, the result is stored in the W register. If 'd' is 1, the result is stored back in register 'f'.

## **XORWF**      **Exclusive OR W with f**

---

Syntax:      [*label*]    XORWF f,d

Operands:     $0 \leq f \leq 127$   
 $d \in [0,1]$

Operation:     $(W) .XOR. (f) \rightarrow (\text{destination})$

Status Affected: Z

Description:    Exclusive OR the contents of the W register with register 'f'. If 'd' is 0, the result is stored in the W register. If 'd' is 1, the result is stored back in register 'f'.

## **SWAPF**      **Swap Nibbles in f**

---

Syntax:      [*label*]    SWAPF f,d

Operands:     $0 \leq f \leq 127$   
 $d \in [0,1]$

Operation:     $(f<3:0>) \rightarrow (\text{destination}<7:4>),$   
 $(f<7:4>) \rightarrow (\text{destination}<3:0>)$

Status Affected: None

Description:    The upper and lower nibbles of register 'f' are exchanged. If 'd' is 0, the result is placed in W register. If 'd' is 1, the result is placed in register 'f'.

## 15.0 DEVELOPMENT SUPPORT

The PICmicro<sup>®</sup> microcontrollers are supported with a full range of hardware and software development tools:

- Integrated Development Environment
  - MPLAB<sup>™</sup> IDE Software
- Assemblers/Compilers/Linkers
  - MPASM Assembler
  - MPLAB-C17 and MPLAB-C18 C Compilers
  - MPLINK/MPLIB Linker/Librarian
- Simulators
  - MPLAB-SIM Software Simulator
- Emulators
  - MPLAB-ICE Real-Time In-Circuit Emulator
  - PICMASTER<sup>®</sup>/PICMASTER-CE In-Circuit Emulator
  - ICEPIC<sup>™</sup>
- In-Circuit Debugger
  - MPLAB-ICD for PIC16F877
- Device Programmers
  - PRO MATE<sup>®</sup> II Universal Programmer
  - PICSTART<sup>®</sup> Plus Entry-Level Prototype Programmer
- Low-Cost Demonstration Boards
  - SIMICE
  - PICDEM-1
  - PICDEM-2
  - PICDEM-3
  - PICDEM-17
  - SEEVAL<sup>®</sup>
  - KEELOQ<sup>®</sup>

### 15.1 MPLAB Integrated Development Environment Software

The MPLAB IDE software brings an ease of software development previously unseen in the 8-bit microcontroller market. MPLAB is a Windows<sup>®</sup>-based application which contains:

- Multiple functionality
  - editor
  - simulator
  - programmer (sold separately)
  - emulator (sold separately)
- A full featured editor
- A project manager
- Customizable tool bar and key mapping
- A status bar
- On-line help

MPLAB allows you to:

- Edit your source files (either assembly or 'C')
- One touch assemble (or compile) and download to PICmicro tools (automatically updates all project information)
- Debug using:
  - source files
  - absolute listing file
  - object code

The ability to use MPLAB with Microchip's simulator, MPLAB-SIM, allows a consistent platform and the ability to easily switch from the cost-effective simulator to the full featured emulator with minimal retraining.

### 15.2 MPASM Assembler

MPASM is a full featured universal macro assembler for all PICmicro MCU's. It can produce absolute code directly in the form of HEX files for device programmers, or it can generate relocatable objects for MPLINK.

MPASM has a command line interface and a Windows shell and can be used as a standalone application on a Windows 3.x or greater system. MPASM generates relocatable object files, Intel standard HEX files, MAP files to detail memory usage and symbol reference, an absolute LST file which contains source lines and generated machine code, and a COD file for MPLAB debugging.

MPASM features include:

- MPASM and MPLINK are integrated into MPLAB projects.
- MPASM allows user defined macros to be created for streamlined assembly.
- MPASM allows conditional assembly for multi purpose source files.
- MPASM directives allow complete control over the assembly process.

### 15.3 MPLAB-C17 and MPLAB-C18 C Compilers

The MPLAB-C17 and MPLAB-C18 Code Development Systems are complete ANSI 'C' compilers and integrated development environments for Microchip's PIC17CXXX and PIC18CXXX family of microcontrollers, respectively. These compilers provide powerful integration capabilities and ease of use not found with other compilers.

For easier source level debugging, the compilers provide symbol information that is compatible with the MPLAB IDE memory display.

## 15.4 MPLINK/MPLIB Linker/Librarian

MPLINK is a relocatable linker for MPASM and MPLAB-C17 and MPLAB-C18. It can link relocatable objects from assembly or C source files along with pre-compiled libraries using directives from a linker script.

MPLIB is a librarian for pre-compiled code to be used with MPLINK. When a routine from a library is called from another source file, only the modules that contains that routine will be linked in with the application. This allows large libraries to be used efficiently in many different applications. MPLIB manages the creation and modification of library files.

MPLINK features include:

- MPLINK works with MPASM and MPLAB-C17 and MPLAB-C18.
- MPLINK allows all memory areas to be defined as sections to provide link-time flexibility.

MPLIB features include:

- MPLIB makes linking easier because single libraries can be included instead of many smaller files.
- MPLIB helps keep code maintainable by grouping related modules together.
- MPLIB commands allow libraries to be created and modules to be added, listed, replaced, deleted, or extracted.

## 15.5 MPLAB-SIM Software Simulator

The MPLAB-SIM Software Simulator allows code development in a PC host environment by simulating the PICmicro series microcontrollers on an instruction level. On any given instruction, the data areas can be examined or modified and stimuli can be applied from a file or user-defined key press to any of the pins. The execution can be performed in single step, execute until break, or trace mode.

MPLAB-SIM fully supports symbolic debugging using MPLAB-C17 and MPLAB-C18 and MPASM. The Software Simulator offers the flexibility to develop and debug code outside of the laboratory environment making it an excellent multi-project software development tool.

## 15.6 MPLAB-ICE High Performance Universal In-Circuit Emulator with MPLAB IDE

The MPLAB-ICE Universal In-Circuit Emulator is intended to provide the product development engineer with a complete microcontroller design tool set for PICmicro microcontrollers (MCUs). Software control of MPLAB-ICE is provided by the MPLAB Integrated Development Environment (IDE), which allows editing, "make" and download, and source debugging from a single environment.

Interchangeable processor modules allow the system to be easily reconfigured for emulation of different processors. The universal architecture of the MPLAB-ICE allows expansion to support new PICmicro microcontrollers.

The MPLAB-ICE Emulator System has been designed as a real-time emulation system with advanced features that are generally found on more expensive development tools. The PC platform and Microsoft® Windows 3.x/95/98 environment were chosen to best make these features available to you, the end user.

MPLAB-ICE 2000 is a full-featured emulator system with enhanced trace, trigger, and data monitoring features. Both systems use the same processor modules and will operate across the full operating speed range of the PICmicro MCU.

## 15.7 PICMASTER/PICMASTER CE

The PICMASTER system from Microchip Technology is a full-featured, professional quality emulator system. This flexible in-circuit emulator provides a high-quality, universal platform for emulating Microchip 8-bit PICmicro microcontrollers (MCUs). PICMASTER systems are sold worldwide, with a CE compliant model available for European Union (EU) countries.

## 15.8 ICEPIC

ICEPIC is a low-cost in-circuit emulation solution for the Microchip Technology PIC16C5X, PIC16C6X, PIC16C7X, and PIC16CXX families of 8-bit one-time-programmable (OTP) microcontrollers. The modular system can support different subsets of PIC16C5X or PIC16CXX products through the use of interchangeable personality modules or daughter boards. The emulator is capable of emulating without target application circuitry being present.

## 15.9 MPLAB-ICD In-Circuit Debugger

Microchip's In-Circuit Debugger, MPLAB-ICD, is a powerful, low-cost run-time development tool. This tool is based on the flash PIC16F877 and can be used to develop for this and other PICmicro microcontrollers from the PIC16CXX family. MPLAB-ICD utilizes the In-Circuit Debugging capability built into the PIC16F87X. This feature, along with Microchip's In-Circuit Serial Programming protocol, offers cost-effective in-circuit flash programming and debugging from the graphical user interface of the MPLAB Integrated Development Environment. This enables a designer to develop and debug source code by watching variables, single-stepping and setting break points. Running at full speed enables testing hardware in real-time. The MPLAB-ICD is also a programmer for the flash PIC16F87X family.

## 15.10 **PRO MATE II Universal Programmer**

The PRO MATE II Universal Programmer is a full-featured programmer capable of operating in stand-alone mode as well as PC-hosted mode. PRO MATE II is CE compliant.

The PRO MATE II has programmable VDD and VPP supplies which allows it to verify programmed memory at VDD min and VDD max for maximum reliability. It has an LCD display for instructions and error messages, keys to enter commands and a modular detachable socket assembly to support various package types. In stand-alone mode the PRO MATE II can read, verify or program PICmicro devices. It can also set code-protect bits in this mode.

## 15.11 **PICSTART Plus Entry Level Development System**

The PICSTART programmer is an easy-to-use, low-cost prototype programmer. It connects to the PC via one of the COM (RS-232) ports. MPLAB Integrated Development Environment software makes using the programmer simple and efficient.

PICSTART Plus supports all PICmicro devices with up to 40 pins. Larger pin count devices such as the PIC16C92X, and PIC17C76X may be supported with an adapter socket. PICSTART Plus is CE compliant.

## 15.12 **SIMICE Entry-Level Hardware Simulator**

SIMICE is an entry-level hardware development system designed to operate in a PC-based environment with Microchip's simulator MPLAB-SIM. Both SIMICE and MPLAB-SIM run under Microchip Technology's MPLAB Integrated Development Environment (IDE) software. Specifically, SIMICE provides hardware simulation for Microchip's PIC12C5XX, PIC12CE5XX, and PIC16C5X families of PICmicro 8-bit microcontrollers. SIMICE works in conjunction with MPLAB-SIM to provide non-real-time I/O port emulation. SIMICE enables a developer to run simulator code for driving the target system. In addition, the target system can provide input to the simulator code. This capability allows for simple and interactive debugging without having to manually generate MPLAB-SIM stimulus files. SIMICE is a valuable debugging tool for entry-level system development.

## 15.13 **PICDEM-1 Low-Cost PICmicro Demonstration Board**

The PICDEM-1 is a simple board which demonstrates the capabilities of several of Microchip's microcontrollers. The microcontrollers supported are: PIC16C5X (PIC16C54 to PIC16C58A), PIC16C61, PIC16C62X, PIC16C71, PIC16C8X, PIC17C42, PIC17C43 and PIC17C44. All necessary hardware and software is included to run basic demo programs. The users can program the sample microcontrollers provided with

the PICDEM-1 board, on a PRO MATE II or PICSTART-Plus programmer, and easily test firmware. The user can also connect the PICDEM-1 board to the MPLAB-ICE emulator and download the firmware to the emulator for testing. Additional prototype area is available for the user to build some additional hardware and connect it to the microcontroller socket(s). Some of the features include an RS-232 interface, a potentiometer for simulated analog input, push-button switches and eight LEDs connected to PORTB.

## 15.14 **PICDEM-2 Low-Cost PIC16CXX Demonstration Board**

The PICDEM-2 is a simple demonstration board that supports the PIC16C62, PIC16C64, PIC16C65, PIC16C73 and PIC16C74 microcontrollers. All the necessary hardware and software is included to run the basic demonstration programs. The user can program the sample microcontrollers provided with the PICDEM-2 board, on a PRO MATE II programmer or PICSTART-Plus, and easily test firmware. The MPLAB-ICE emulator may also be used with the PICDEM-2 board to test firmware. Additional prototype area has been provided to the user for adding additional hardware and connecting it to the microcontroller socket(s). Some of the features include a RS-232 interface, push-button switches, a potentiometer for simulated analog input, a Serial EEPROM to demonstrate usage of the I<sup>2</sup>C bus and separate headers for connection to an LCD module and a keypad.

## 15.15 **PICDEM-3 Low-Cost PIC16CXXX Demonstration Board**

The PICDEM-3 is a simple demonstration board that supports the PIC16C923 and PIC16C924 in the PLCC package. It will also support future 44-pin PLCC microcontrollers with a LCD Module. All the necessary hardware and software is included to run the basic demonstration programs. The user can program the sample microcontrollers provided with the PICDEM-3 board, on a PRO MATE II programmer or PICSTART Plus with an adapter socket, and easily test firmware. The MPLAB-ICE emulator may also be used with the PICDEM-3 board to test firmware. Additional prototype area has been provided to the user for adding hardware and connecting it to the microcontroller socket(s). Some of the features include an RS-232 interface, push-button switches, a potentiometer for simulated analog input, a thermistor and separate headers for connection to an external LCD module and a keypad. Also provided on the PICDEM-3 board is an LCD panel, with 4 commons and 12 segments, that is capable of displaying time, temperature and day of the week. The PICDEM-3 provides an additional RS-232 interface and Windows 3.1 software for showing the demultiplexed LCD signals on a PC. A simple serial interface allows the user to construct a hardware demultiplexer for the LCD signals.

## 15.16 PICDEM-17

The PICDEM-17 is an evaluation board that demonstrates the capabilities of several Microchip microcontrollers, including PIC17C752, PIC17C756, PIC17C762, and PIC17C766. All necessary hardware is included to run basic demo programs, which are supplied on a 3.5-inch disk. A programmed sample is included, and the user may erase it and program it with the other sample programs using the PRO MATE II or PICSTART Plus device programmers and easily debug and test the sample code. In addition, PICDEM-17 supports down-loading of programs to and executing out of external FLASH memory on board. The PICDEM-17 is also usable with the MPLAB-ICE or PICMASTER emulator, and all of the sample programs can be run and modified using either emulator. Additionally, a generous prototype area is available for user hardware.

## 15.17 SEEVAL Evaluation and Programming System

The SEEVAL SEEPROM Designer's Kit supports all Microchip 2-wire and 3-wire Serial EEPROMs. The kit includes everything necessary to read, write, erase or program special features of any Microchip SEEPROM product including Smart Serials™ and secure serials. The Total Endurance™ Disk is included to aid in trade-off analysis and reliability calculations. The total kit can significantly reduce time-to-market and result in an optimized system.

## 15.18 KEELOQ Evaluation and Programming Tools

KEELOQ evaluation and programming tools support Microchips HCS Secure Data Products. The HCS evaluation kit includes an LCD display to show changing codes, a decoder to decode transmissions, and a programming interface to program test transmitters.



**TABLE 15-1: DEVELOPMENT TOOLS FROM MICROCHIP**

| Tool  | PIC12CXXX | PIC14000 | PIC16C5X | PIC16C6X | PIC16CXX | PIC16F62X | PIC16C7X | PIC16C8X | PIC16F88X | PIC16C9XX | PIC17C4X | PIC17C7XX | PIC18CXX2 | 24CXX/<br>25CXX/<br>93CXX | HCSXXX | MCRFXXX | MCP2510 |
|---|-----------|----------|----------|----------|----------|-----------|----------|----------|-----------|-----------|----------|-----------|-----------|---------------------------|--------|---------|---------|
| <b>Software Tools</b>                           | ✓         | ✓        | ✓        | ✓        | ✓        | ✓         | ✓        | ✓        | ✓         | ✓         | ✓        | ✓         | ✓         | ✓                         |        |         |         |
| MPLAB™ Integrated Development Environment       | ✓         | ✓        | ✓        | ✓        | ✓        | ✓         | ✓        | ✓        | ✓         | ✓         | ✓        | ✓         | ✓         | ✓                         |        |         |         |
| MPLAB™ C17 Compiler                             |           |          |          |          |          |           |          |          |           |           | ✓        | ✓         | ✓         | ✓                         |        |         |         |
| MPLAB™ C18 Compiler                             |           |          |          |          |          |           |          |          |           |           | ✓        | ✓         | ✓         | ✓                         |        |         |         |
| MPASM/MPLINK                                    | ✓         | ✓        | ✓        | ✓        | ✓        | ✓         | ✓        | ✓        | ✓         | ✓         | ✓        | ✓         | ✓         | ✓                         |        |         |         |
| MPLAB™-ICE                                      | ✓         | ✓        | ✓        | ✓        | ✓        | ✓         | ✓        | ✓        | ✓         | ✓         | ✓        | ✓         | ✓         | ✓                         |        |         |         |
| PICMASTER/PICMASTER-CE                          | ✓         | ✓        | ✓        | ✓        | ✓        | ✓         | ✓        | ✓        | ✓         | ✓         | ✓        | ✓         | ✓         | ✓                         |        |         |         |
| ICEPIC™ Low-Cost In-Circuit Emulator            | ✓         |          | ✓        | ✓        | ✓        |           | ✓        | ✓        | ✓         | ✓         | ✓        | ✓         | ✓         | ✓                         |        |         |         |
| <b>Debugger</b>                                 |           |          |          | ✓*       |          |           |          |          | ✓         |           |          |           |           |                           |        |         |         |
| MPLAB-ICD In-Circuit Debugger                   |           |          |          | ✓*       |          |           |          |          | ✓         |           |          |           |           |                           |        |         |         |
| <b>Programmers</b>                              | ✓         | ✓        | ✓        | ✓        | ✓        | ✓**       | ✓        | ✓        | ✓         | ✓         | ✓        | ✓         | ✓         | ✓                         | ✓      |         |         |
| PICSTART® Plus Low-Cost Universal Dev. Kit      | ✓         | ✓        | ✓        | ✓        | ✓        | ✓**       | ✓        | ✓        | ✓         | ✓         | ✓        | ✓         | ✓         | ✓                         | ✓      |         |         |
| PRO MATE® II Universal Programmer               | ✓         | ✓        | ✓        | ✓        | ✓        | ✓**       | ✓        | ✓        | ✓         | ✓         | ✓        | ✓         | ✓         | ✓                         | ✓      |         |         |
| <b>Demo Boards and Eval Kits</b>                | ✓         |          | ✓        |          |          |           |          | ✓        |           |           |          |           |           |                           |        |         |         |
| SIMICE  | ✓         |          | ✓        |          |          |           |          | ✓        |           |           |          |           |           |                           |        |         |         |
| PICDEM-1  |           |          | ✓        |          |          |           |          | ✓        |           |           | ✓        |           |           |                           |        |         |         |
| PICDEM-2  |           |          |          |          |          |           | †        |          |           |           |          | ✓         |           |                           |        |         |         |
| PICDEM-3  |           |          |          |          |          |           | †        |          |           |           |          |           |           |                           |        |         |         |
| PICDEM-14A                                      |           |          |          |          |          |           |          |          |           | ✓         |          |           |           |                           |        |         |         |
| PICDEM-17                                       |           | ✓        |          |          |          |           |          |          |           |           | ✓        |           |           |                           |        |         |         |
| KEELOQ® Evaluation Kit                          |           |          |          |          |          |           |          |          |           |           |          |           |           | ✓                         |        |         |         |
| KEELOQ Transponder Kit                          |           |          |          |          |          |           |          |          |           |           |          |           |           | ✓                         |        |         |         |
| microID™ Programmer's Kit                       |           |          |          |          |          |           |          |          |           |           |          |           |           |                           |        | ✓       |         |
| 125 kHz microID Developer's Kit                 |           |          |          |          |          |           |          |          |           |           |          |           |           |                           |        | ✓       |         |
| 125 kHz Anticollision microID Developer's Kit   |           |          |          |          |          |           |          |          |           |           |          |           |           |                           |        | ✓       |         |
| 13.56 MHz Anticollision microID Developer's Kit |           |          |          |          |          |           |          |          |           |           |          |           |           |                           |        | ✓       |         |
| MCP2510 CAN Developer's Kit                     |           |          |          |          |          |           |          |          |           |           |          |           |           |                           |        | ✓       |         |

\* Contact the Microchip Technology Inc. web site at [www.microchip.com](http://www.microchip.com) for information on how to use the MPLAB-ICD In-Circuit Debugger (DV164001) with PIC16C62, 63, 64, 65, 72, 73, 74, 76, 77  
 \*\* Contact Microchip Technology Inc. for availability date.  
 † Development tool is available on select devices.

NOTES:

## 16.0 ELECTRICAL CHARACTERISTICS

### Absolute Maximum Ratings †

|   |                                   |
|---|-----------------------------------|
| Ambient temperature under bias .....  | -55°C to +125°C                   |
| Storage temperature .....   | -65°C to +150°C                   |
| Voltage on any pin with respect to V <sub>SS</sub> (except V <sub>DD</sub> , $\overline{\text{MCLR}}$ and RA4)..... | -0.3V to (V <sub>DD</sub> + 0.3V) |
| Voltage on V <sub>DD</sub> with respect to V <sub>SS</sub> .....  | -0.3V to +7.5V                    |
| Voltage on $\overline{\text{MCLR}}$ with respect to V <sub>SS</sub> .....   | -0.3V to +13.25V                  |
| Voltage on RA4 with respect to V <sub>SS</sub> .....  | -0.3V to +10.5V                   |
| Total power dissipation ( <b>Note 1</b> ) .....   | 1.0W                              |
| Maximum current out of V <sub>SS</sub> pin .....  | 300 mA                            |
| Maximum current into V <sub>DD</sub> pin .....  | 250 mA                            |
| Input clamp current, I <sub>IK</sub> (V <sub>I</sub> < 0 or V <sub>I</sub> > V <sub>DD</sub> ).....                 | ±20 mA                            |
| Output clamp current, I <sub>OK</sub> (V <sub>O</sub> < 0 or V <sub>O</sub> > V <sub>DD</sub> ) .....               | ±20 mA                            |
| Maximum output current sunk by any I/O pin.....   | 25 mA                             |
| Maximum output current sourced by any I/O pin .....   | 25 mA                             |
| Maximum current sunk by PORTA, PORTB, and PORTE ( <b>Note 2</b> ) (combined) .....                                  | 200 mA                            |
| Maximum current sourced by PORTA, PORTB, and PORTE ( <b>Note 2</b> ) (combined) .....                               | 200 mA                            |
| Maximum current sunk by PORTC and PORTD ( <b>Note 2</b> ) (combined).....   | 200 mA                            |
| Maximum current sourced by PORTC and PORTD ( <b>Note 2</b> ) (combined).....  | 200 mA                            |

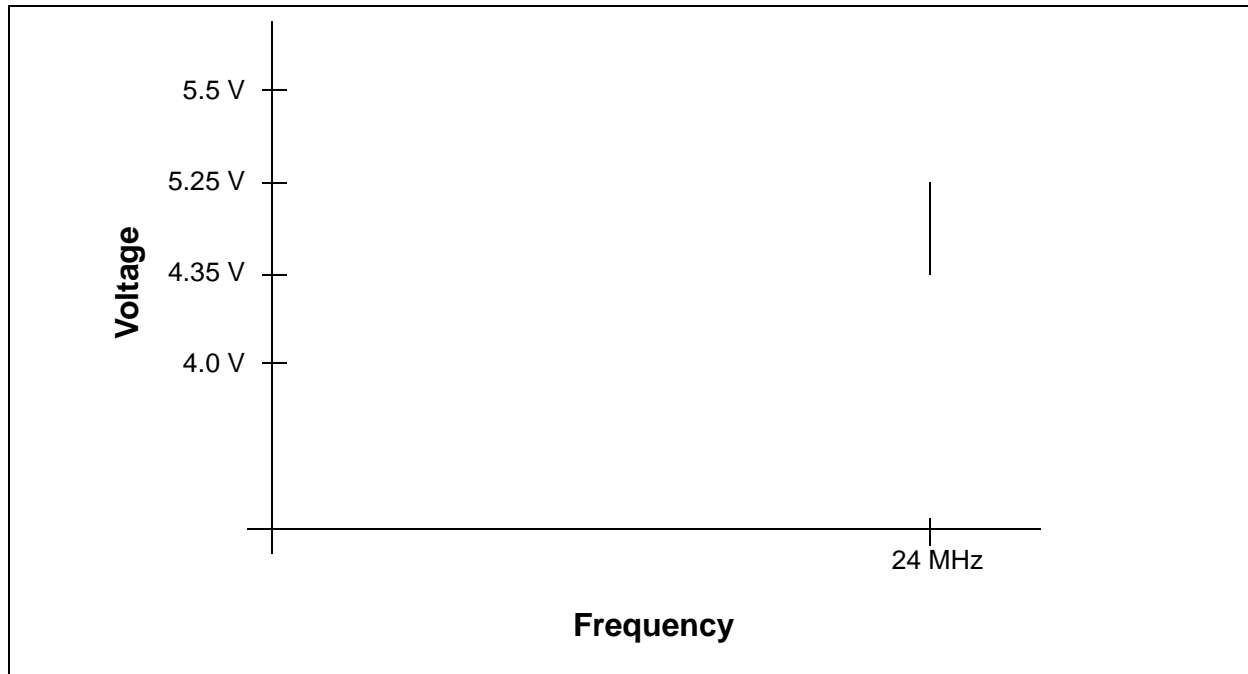
**Note 1:** Power dissipation is calculated as follows:  $P_{dis} = V_{DD} \times \{I_{DD} - \sum I_{OH}\} + \sum \{(V_{DD} - V_{OH}) \times I_{OH}\} + \sum (V_{OL} \times I_{OL})$

**2:** PORTD and PORTE not available on the PIC16C745.

† NOTICE: Stresses above those listed under “Absolute Maximum Ratings” may cause permanent damage to the device. This is a stress rating only and functional operation of the device at those or any other conditions above those indicated in the operation listings of this specification is not implied. Exposure to maximum rating conditions for extended periods may affect device reliability.

# PIC16C745/765

FIGURE 16-1: VALID OPERATING REGIONS. FREQUENCY ON F<sub>INT</sub>.  
-40°C ≤ TA ≤ +85°C



## 16.1 DC Characteristics: PIC16C745/765 (Commercial, Industrial)

| DC CHARACTERISTICS    |   | Standard Operating Conditions (unless otherwise stated)  |   |   |  |   |  |
|-----------------------|---|--|---|---|--|---|--|
|                       |   | Operating temperature $0^{\circ}\text{C} \leq T_A \leq +70^{\circ}\text{C}$ for commercial<br>$-40^{\circ}\text{C} \leq T_A \leq +85^{\circ}\text{C}$ for industrial |   |   |  |   |  |
| Param No.             | Sym   | Characteristic   | Min                                       | Typ†  | Max  | Units   | Conditions   |
| D001                  | VDD   | Supply Voltage   | 4.35                                      | —   | 5.25   | V   | See Figure 16-1  |
| D002*                 | VDR   | RAM Data Retention Voltage (Note 1)  | —   | 1.5   | —  | V   |  |
| D003                  | VPOR  | VDD Start Voltage to ensure internal Power-on Reset signal   | —   | VSS   | —  | V   | See section on Power-on Reset for details  |
| D004*<br>D004A*       | SVDD  | VDD Rise Rate to ensure internal Power-on Reset signal   | 0.05<br>TBD                               | —<br>—  | —<br>—                                       | V/mS<br>V/mS  | PWRT enabled ( $\overline{\text{PWRT}}\text{E}$ bit clear)<br>PWRT disabled ( $\overline{\text{PWRT}}\text{E}$ bit set)<br>See section on Power-on Reset for details |
| D005                  | VBOR  | Brown-out Reset voltage trip point   | 3.65                                      | —   | 4.35   | V   | Brown-out Reset is always active   |
| D010<br>D013          | IDD   | Supply Current (Note 2, 4)   | TBD<br>TBD                                | TBD<br>TBD                                    | TBD<br>TBD                                   | mA  | FINT = 24 MHz, VDD = 4.35V<br>FINT = 24 MHz, VDD = 5.25V   |
| D020<br>D021<br>D021B | IPD   | Power-down Current (Note 3, 4)   | TBD<br>TBD                                | TBD<br>TBD                                    | TBD<br>TBD                                   | $\mu\text{A}$<br>$\mu\text{A}$  | VDD = 4.35V<br>VDD = 5.25V   |
| D022*<br>D022A*       | $\Delta\text{IWDT}$<br>$\Delta\text{IBOR}$<br>$\Delta\text{ICCP}$<br>$\Delta\text{IA}/\text{b}$<br>$\Delta\text{IUSB}$<br>$\Delta\text{IUSB}$<br>$\Delta\text{PLL}$ | Module Differential Current (Note 5, 6)<br>Watchdog Timer<br>Brown-out Reset<br>Capture Compare PWM<br>Analog<br>Not suspend mode<br>Suspend mode<br>Phase Lock Loop | —<br>—<br>TBD<br>TBD<br>TBD<br>TBD<br>TBD | 6.0<br>100<br>TBD<br>TBD<br>TBD<br>TBD<br>TBD | 20<br>150<br>TBD<br>TBD<br>TBD<br>TBD<br>TBD | $\mu\text{A}$<br>$\mu\text{A}$<br>$\mu\text{A}$<br>$\mu\text{A}$<br>$\mu\text{A}$<br>$\mu\text{A}$<br>$\mu\text{A}$ | WDTE bit set, VDD = 4.35V<br>BODEN bit set, VDD = 5.0V   |
| 1A                    | FOSC  | HS oscillator operating freq.<br>H4 oscillator operating freq.<br>EC oscillator operating freq.<br>E4 oscillator operating freq.                                     | 24<br>6<br>24<br>6                        | —<br>—<br>—<br>—                              | 24<br>6<br>24<br>6                           | MHz<br>MHz<br>MHz<br>MHz  | All temperatures<br>All temperatures<br>All temperatures<br>All temperatures   |

\* These parameters are characterized but not tested.

† Data in "Typ" column is at 5V, 25°C unless otherwise stated. These parameters are for design guidance only and are not tested.

**Note 1:** This is the limit to which VDD can be lowered without losing RAM data.

**2:** The supply current is mainly a function of the operating voltage and frequency. Other factors such as I/O pin loading and switching rate, oscillator type, internal code execution pattern and temperature also have an impact on the current consumption.

The test conditions for all IDD measurements in active operation mode are:

OSC1 = external square wave, from rail to rail; all I/O pins tristated, pulled to VDD,

MCLR = VDD; WDT enabled/disabled as specified.

**3:** The power-down current in SLEEP mode does not depend on the oscillator type. Power-down current is measured with the part in SLEEP mode, with all I/O pins in hi-impedance state and tied to VDD and VSS.

**4:** Timer1 oscillator (when enabled) adds approximately 20  $\mu\text{A}$  to the specification. This value is from characterization and is for design guidance only. This is not tested.

**5:** The  $\Delta$  current is the additional current consumed when this peripheral is enabled. This current should be added to the base IDD or IPD measurement.

**6:** Module differential currents measured at FINT = 24 MHz.

# PIC16C745/765

## 16.2 DC Characteristics: PIC16C745/765 (Commercial, Industrial)

| DC CHARACTERISTICS |            | Standard Operating Conditions (unless otherwise stated)  |              |      |              |               |  |
|--------------------|------------|--|--------------|------|--------------|---------------|--|
|                    |            | Operating temperature $0^{\circ}\text{C} \leq T_A \leq +70^{\circ}\text{C}$ for commercial<br>$-40^{\circ}\text{C} \leq T_A \leq +85^{\circ}\text{C}$ for industrial |              |      |              |               |  |
|                    |            | Operating voltage $V_{DD}$ range as described in DC spec Section 16.1 and Section 16.2   |              |      |              |               |  |
| Param No.          | Sym        | Characteristic   | Min          | Typ† | Max          | Units         | Conditions   |
|                    |            | <b>Input Low Voltage</b>   |              |      |              |               |  |
| D030<br>D030A      | $V_{IL}$   | I/O ports<br>with TTL buffer   | $V_{SS}$     | —    | 0.8          | V             | For entire $V_{DD}$ range                                  |
| D031               |            | with Schmitt Trigger buffer  | $V_{SS}$     | —    | $0.2 V_{DD}$ | V             |  |
| D032               |            | $\overline{MCLR}$ , OSC1 (in EC, E4 mode)  | $V_{SS}$     | —    | $0.2 V_{DD}$ | V             |  |
| D033               |            | OSC1 (in HS, H4 mode)  | $V_{SS}$     | —    | $0.3 V_{DD}$ | V             |  |
|                    |            | <b>Input High Voltage</b>  |              |      |              |               |  |
| D040               | $V_{IH}$   | I/O ports<br>with TTL buffer   | 2.0          | —    | $V_{DD}$     | V             | For entire $V_{DD}$ range                                  |
| D041               |            | with Schmitt Trigger buffer  | $0.8 V_{DD}$ | —    | $V_{DD}$     | V             |  |
| D042               |            | $\overline{MCLR}$  | $0.8 V_{DD}$ | —    | $V_{DD}$     | V             | <b>Note 1</b>  |
| D042A              |            | OSC1 (HS, H4 mode)   | $0.7 V_{DD}$ | —    | $V_{DD}$     | V             |  |
| D043               |            | OSC1 (in EC, E4 mode)  | $0.9 V_{DD}$ | —    | $V_{DD}$     | V             |  |
|                    |            | <b>Input Leakage Current (Notes 2, 3)</b>  |              |      |              |               |  |
| D060               | $I_{IL}$   | I/O ports  | —            | —    | $\pm 1$      | $\mu\text{A}$ | $V_{SS} \leq V_{PIN} \leq V_{DD}$ ,<br>Pin at hi-impedance |
| D061               |            | $\overline{MCLR}$ , RA4/T0CKI  | —            | —    | $\pm 5$      | $\mu\text{A}$ | $V_{SS} \leq V_{PIN} \leq V_{DD}$                          |
| D063               |            | OSC1   | —            | —    | $\pm 5$      | $\mu\text{A}$ | $V_{SS} \leq V_{PIN} \leq V_{DD}$ ,<br>HS osc mode         |
| D070               | $I_{PURB}$ | <b>PORTB weak pull-up current</b>  | 50           | 250  | 400          | $\mu\text{A}$ | $V_{DD} = 5\text{V}$ , $V_{PIN} = V_{SS}$                  |
|                    | $A_{VIH}$  | D+ In  | —            | —    | —            | V             |  |
|                    |            | D- In  | —            | —    | —            | V             |  |
|                    | $A_{VOH}$  | D+ Out   | —            | —    | —            | V             |  |
|                    |            | D- Out   | —            | —    | —            | V             |  |
|                    | $A_{VIL}$  | D+ In  | —            | —    | —            | V             |  |
|                    |            | D- In  | —            | —    | —            | V             |  |
|                    | $A_{VOL}$  | D+ Out   | —            | —    | —            | V             |  |
|                    |            | D- Out   | —            | —    | —            | V             |  |

\*These parameters are characterized but not tested.

† Data in "Typ" column is at 5V, 25°C unless otherwise stated. These parameters are for design guidance only and are not tested.

**Note 1:** In EC oscillator mode, the OSC1/CLKIN pin is a Schmitt Trigger input.

**2:** The leakage current on the  $\overline{MCLR}/V_{PP}$  pin is strongly dependent on the applied voltage level. The specified levels represent normal operating conditions. Higher leakage current may be measured at different input voltages.

**3:** Negative current is defined as current sourced by the pin.

## DC Characteristics: PIC16C745/765 (Commercial, Industrial) (CONTINUED)

| DC CHARACTERISTICS |       | Standard Operating Conditions (unless otherwise stated)  |              |      |      |               |  |
|--------------------|-------|--|--------------|------|------|---------------|--|
|                    |       | Operating temperature $0^{\circ}\text{C} \leq T_A \leq +70^{\circ}\text{C}$ for commercial<br>$-40^{\circ}\text{C} \leq T_A \leq +85^{\circ}\text{C}$ for industrial |              |      |      |               |  |
|                    |       | Operating voltage $V_{DD}$ range as described in DC spec Section 16.1 and Section 16.2   |              |      |      |               |  |
| Param No.          | Sym   | Characteristic   | Min          | Typ† | Max  | Units         | Conditions   |
|                    |       | <b>Output Low Voltage</b>  |              |      |      |               |  |
| D080               | Vol   | I/O ports  | —            | —    | 0.6  | V             | $I_{OL} = 8.5\text{ mA}$ , $V_{DD} = 4.35\text{V}$ , $-40^{\circ}\text{C}$ to $+85^{\circ}\text{C}$  |
| D083               |       | OSC2/CLKOUT (EC, E4 osc mode)  | —            | —    | 0.6  | V             | $I_{OL} = 1.6\text{ mA}$ , $V_{DD} = 4.35\text{V}$ , $-40^{\circ}\text{C}$ to $+85^{\circ}\text{C}$  |
|                    |       | <b>Output High Voltage</b>   |              |      |      |               |  |
| D090               | VoH   | I/O ports ( <b>Note 3</b> )  | $V_{DD}-0.7$ | —    | —    | V             | $I_{OH} = -3.0\text{ mA}$ , $V_{DD} = 4.35\text{V}$ , $-40^{\circ}\text{C}$ to $+85^{\circ}\text{C}$ |
| D092               |       | OSC2/CLKOUT (EC osc mode)  | $V_{DD}-0.7$ | —    | —    | V             | $I_{OH} = -1.3\text{ mA}$ , $V_{DD} = 4.35\text{V}$ , $-40^{\circ}\text{C}$ to $+85^{\circ}\text{C}$ |
| D150*              | VOD   | <b>Open-Drain High Voltage</b>   | —            | —    | 10.5 | V             | RA4 pin  |
|                    |       | <b>Capacitive Loading Specs on Output Pins</b>   |              |      |      |               |  |
| D100               | COSC2 | OSC2 pin   | —            | —    | 15   | pF            | In HS mode when external clock is used to drive OSC1.  |
| D101               | CIO   | All I/O pins and OSC2 (in EC mode)   | —            | —    | 50   | pF            |  |
|                    | CVUSB | Vusb regulation capacitor  | —            | .01  | —    | $\mu\text{F}$ | $\pm 20\%$   |

\*These parameters are characterized but not tested.

† Data in "Typ" column is at 5V, 25°C unless otherwise stated. These parameters are for design guidance only and are not tested.

**Note 1:** In EC oscillator mode, the OSC1/CLKIN pin is a Schmitt Trigger input.

**2:** The leakage current on the  $\overline{\text{MCLR}}/V_{PP}$  pin is strongly dependent on the applied voltage level. The specified levels represent normal operating conditions. Higher leakage current may be measured at different input voltages.

**3:** Negative current is defined as current sourced by the pin.

# PIC16C745/765

## 16.3 AC (Timing) Characteristics

### 16.3.1 TIMING PARAMETER SYMBOLOGY

The timing parameter symbols have been created following one of the following formats:

1. TppS2ppS

2. TppS

|          |           |   |      |
|----------|-----------|---|------|
| <b>T</b> |           |   |      |
| F        | Frequency | T | Time |

Lowercase letters (pp) and their meanings:

|           |                   |     |                                    |
|-----------|-------------------|-----|------------------------------------|
| <b>pp</b> |                   |     |                                    |
| cc        | CCP1              | osc | OSC1                               |
| ck        | CLKOUT            | rd  | $\overline{RD}$                    |
| cs        | $\overline{CS}$   | rw  | $\overline{RD}$ or $\overline{WR}$ |
| di        | SDI               | sc  | SCK                                |
| do        | SDO               | ss  | $\overline{SS}$                    |
| dt        | Data in           | t0  | T0CKI                              |
| io        | I/O port          | t1  | T1CKI                              |
| mc        | $\overline{MCLR}$ | wr  | $\overline{WR}$                    |

Uppercase letters and their meanings:

|          |                        |   |              |
|----------|------------------------|---|--------------|
| <b>S</b> |                        |   |              |
| F        | Fall                   | P | Period       |
| H        | High                   | R | Rise         |
| I        | Invalid (Hi-impedance) | V | Valid        |
| L        | Low                    | Z | Hi-impedance |



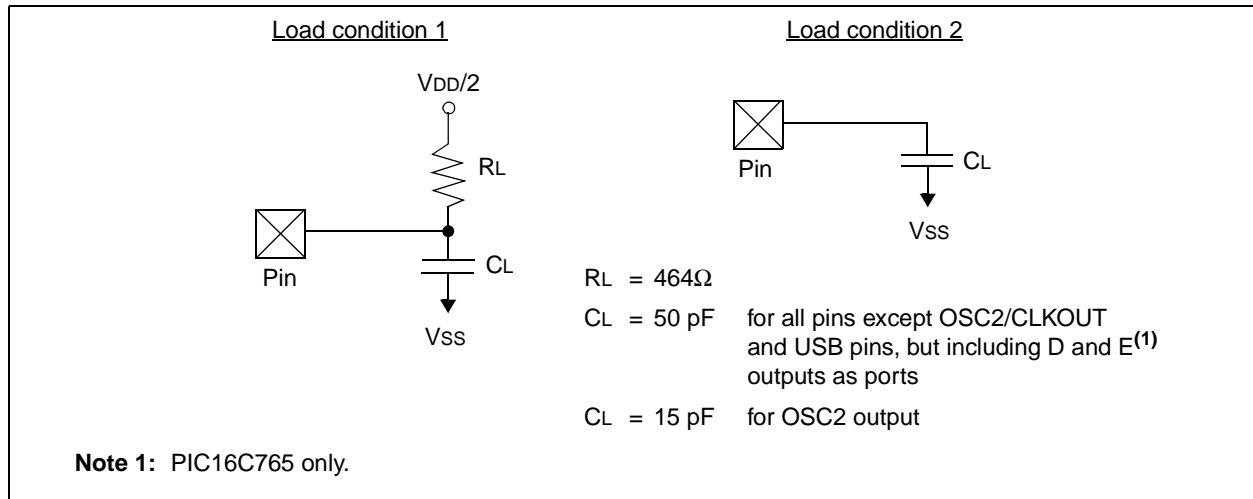
## 16.3.2 TIMING CONDITIONS

The temperature and voltages specified in Table 16-1 apply to all timing specifications unless otherwise noted. Figure 16-2 specifies the load conditions for the timing specifications.

**TABLE 16-1: TEMPERATURE AND VOLTAGE SPECIFICATIONS - AC**

|                    |   |
|--------------------|---|
| AC CHARACTERISTICS | <b>Standard Operating Conditions (unless otherwise stated)</b>  |
|                    | Operating temperature $0^{\circ}\text{C} \leq T_A \leq +70^{\circ}\text{C}$ for commercial  |
|                    | $-40^{\circ}\text{C} \leq T_A \leq +85^{\circ}\text{C}$ for industrial  |
|                    | Operating voltage $V_{DD}$ range as described in DC spec Section 16.1 and Section 16.2. LC parts operate for commercial/industrial temperatures only. |

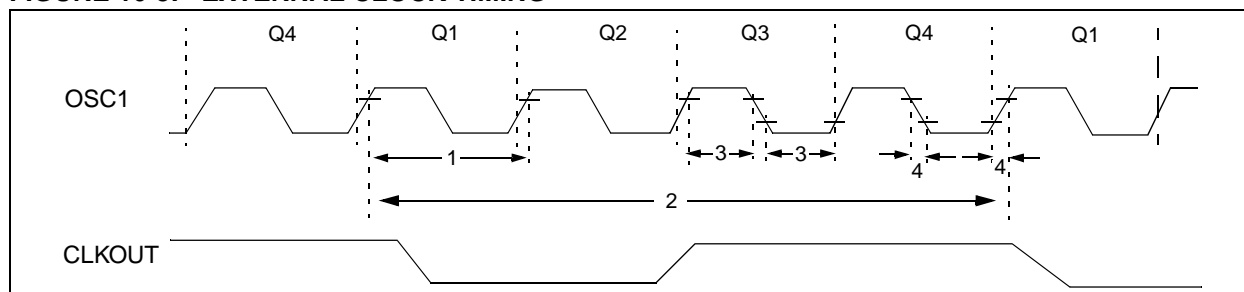
**FIGURE 16-2: LOAD CONDITIONS FOR DEVICE TIMING SPECIFICATIONS**



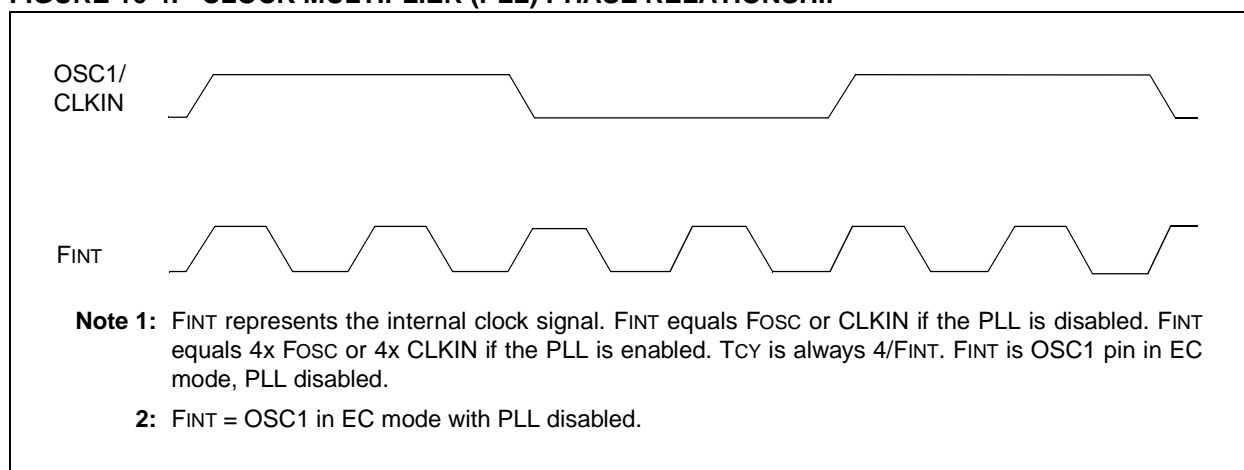
# PIC16C745/765

## 16.3.3 TIMING DIAGRAMS AND SPECIFICATIONS

**FIGURE 16-3: EXTERNAL CLOCK TIMING**



**FIGURE 16-4: CLOCK MULTIPLIER (PLL) PHASE RELATIONSHIP**



**TABLE 16-2: EXTERNAL CLOCK TIMING REQUIREMENTS**

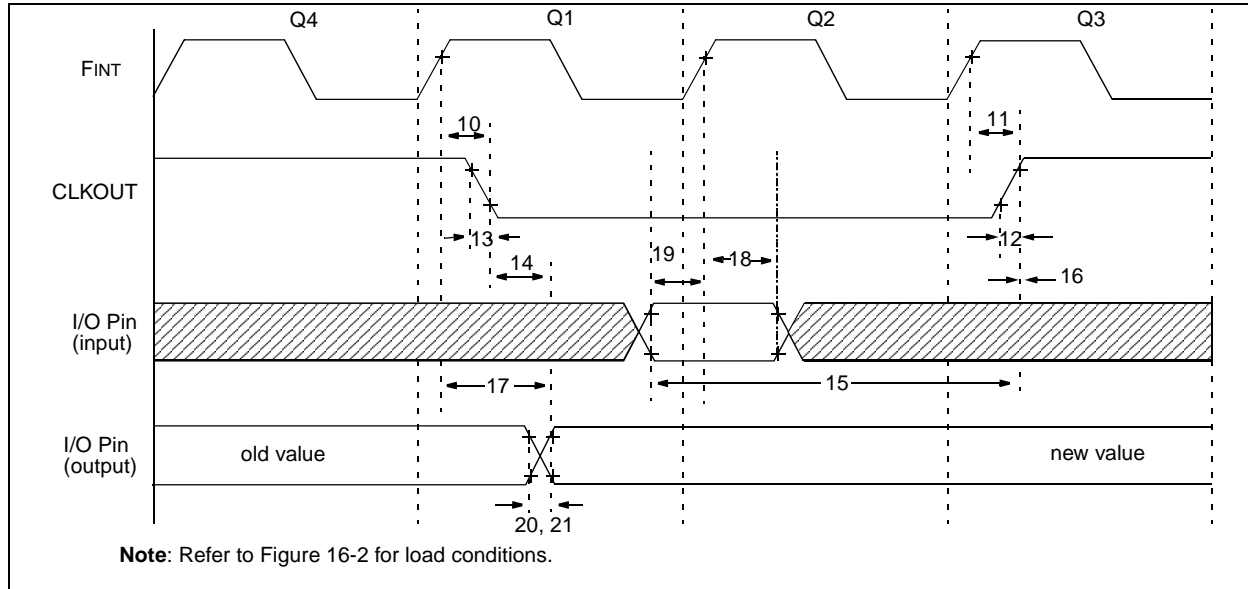
| Param No. | Sym        | Characteristic                             | Min | Typ† | Max | Units | Conditions    |
|-----------|------------|--|-----|------|-----|-------|---------------|
| 1A        | Fosc       | External CLKIN Frequency (Note 1)          | 24  | —    | 24  | MHz   | EC osc mode   |
|           |            |  | 6   | —    | 6   | MHz   | E4 osc mode   |
|           |            | Oscillator Frequency (Note 1)              | 24  | —    | 24  | MHz   | HS osc mode   |
|           |            |  | 6   | —    | 6   | MHz   | H4 osc mode   |
| 1         | Tosc       | External CLKIN Period (Note 1)             | 41  | —    | 41  | ns    | EC osc modes  |
|           |            |  | 167 | —    | 167 | ns    | E4 osc mode   |
|           |            | Oscillator Period (Note 1)                 | 41  | —    | 41  | ns    | HS osc modes  |
|           |            |  | 167 | —    | 167 | ns    | H4 osc mode   |
| 2         | Tcy        | Instruction Cycle Time (Note 1)            | 167 | —    | DC  | ns    | Tcy = 4/FINT  |
| 3*        | ToSL, ToSH | External Clock in (OSC1) High or Low Time  | TBD | —    | —   | ns    | EC oscillator |
| 4*        | ToSR, ToSF | External Clock in (OSC1) Rise or Fall Time | TBD | —    | 25  | ns    | EC oscillator |

\* These parameters are characterized but not tested.

†Data in "Typ" column is at 5V, 25°C unless otherwise stated. These parameters are for design guidance only and are not tested.

**Note 1:** Instruction cycle period (Tcy) equals four times the input oscillator time-base period when the PLL is enabled, or the input oscillator time-base period divided by 4 when the PLL is disabled. All specified values are based on characterization data for that particular oscillator type under standard operating conditions with the device executing code. Exceeding these specified limits may result in an unstable oscillator operation and/or higher than expected current consumption. All devices are tested to operate at "min." values with an external clock applied to the OSC1/CLKIN pin. When an external clock input is used, the "Max." cycle time limit is "DC" (no clock) for all devices.

**FIGURE 16-5: CLKOUT AND I/O TIMING**



**TABLE 16-3: CLKOUT AND I/O TIMING REQUIREMENTS**

| Param No. | Sym      | Characteristic  | Min        | Typ† | Max          | Units | Conditions |
|-----------|----------|---|------------|------|--------------|-------|------------|
| 10*       | TosH2ckL | OSC1↑ to CLKOUT↓  | —          | 75   | 200          | ns    | Note 1     |
| 11*       | TosH2ckH | OSC1↑ to CLKOUT↑  | —          | 75   | 200          | ns    | Note 1     |
| 12*       | TckR     | CLKOUT rise time  | —          | 35   | 100          | ns    | Note 1     |
| 13*       | TckF     | CLKOUT fall time  | —          | 35   | 100          | ns    | Note 1     |
| 14*       | TckL2ioV | CLKOUT ↓ to Port out valid                                | —          | —    | 0.5 Tcy + 20 | ns    | Note 1     |
| 15*       | TioV2ckH | Port in valid before CLKOUT ↑                             | Tosc + 200 | —    | —            | ns    | Note 1     |
| 16*       | TckH2ioI | Port in hold after CLKOUT ↑                               | 0          | —    | —            | ns    | Note 1     |
| 17*       | TosH2ioV | OSC1↑ (Q1 cycle) to Port out valid                        | —          | 50   | 150          | ns    |            |
| 18*       | TosH2ioI | OSC1↑ (Q2 cycle) to Port input invalid (I/O in hold time) | 100        | —    | —            | ns    |            |
| 18A*      |          |   | 200        | —    | —            | ns    |            |
| 19*       | TioV2osH | Port input valid to OSC1↑ (I/O in setup time)             | 0          | —    | —            | ns    |            |
| 20*       | TioR     | Port output rise time                                     | —          | 10   | 40           | ns    |            |
| 20A*      |          |   | —          | —    | 80           | ns    |            |
| 21*       | TioF     | Port output fall time                                     | —          | 10   | 40           | ns    |            |
| 21A*      |          |   | —          | —    | 80           | ns    |            |
| 22††*     | TINP     | INT pin high or low time                                  | Tcy        | —    | —            | ns    |            |
| 23††*     | T̄RBP    | RB<7:4> change INT high or low time                       | Tcy        | —    | —            | ns    |            |

\* These parameters are characterized but not tested.

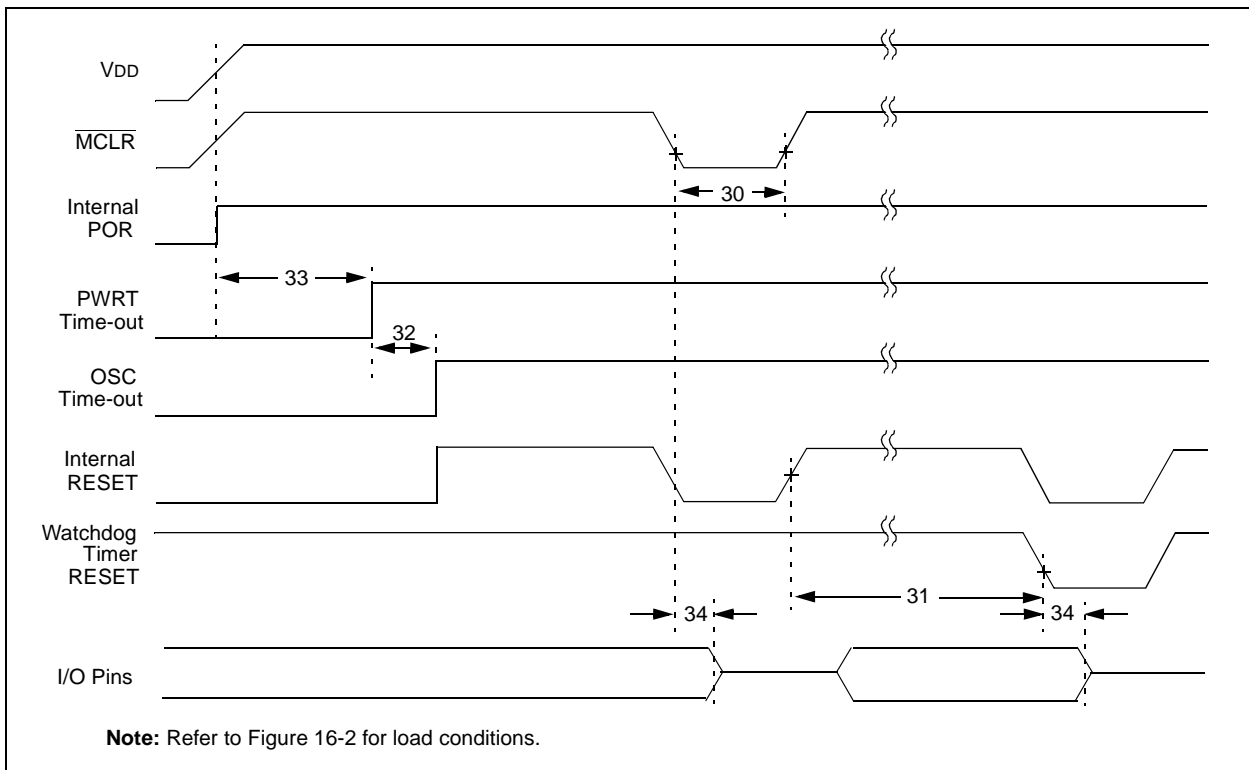
†Data in "Typ" column is at 5V, 25°C unless otherwise stated. These parameters are for design guidance only and are not tested.

††These parameters are asynchronous events not related to any internal clock edge.

**Note 1:** Measurements are taken in EC Mode where CLKOUT output is 4 x Tosc.

**2:** FINT = OSC1 when PLL

**FIGURE 16-6: RESET, WATCHDOG TIMER, OSCILLATOR START-UP TIMER AND POWER-UP TIMER TIMING**



**FIGURE 16-7: BROWN-OUT RESET TIMING**



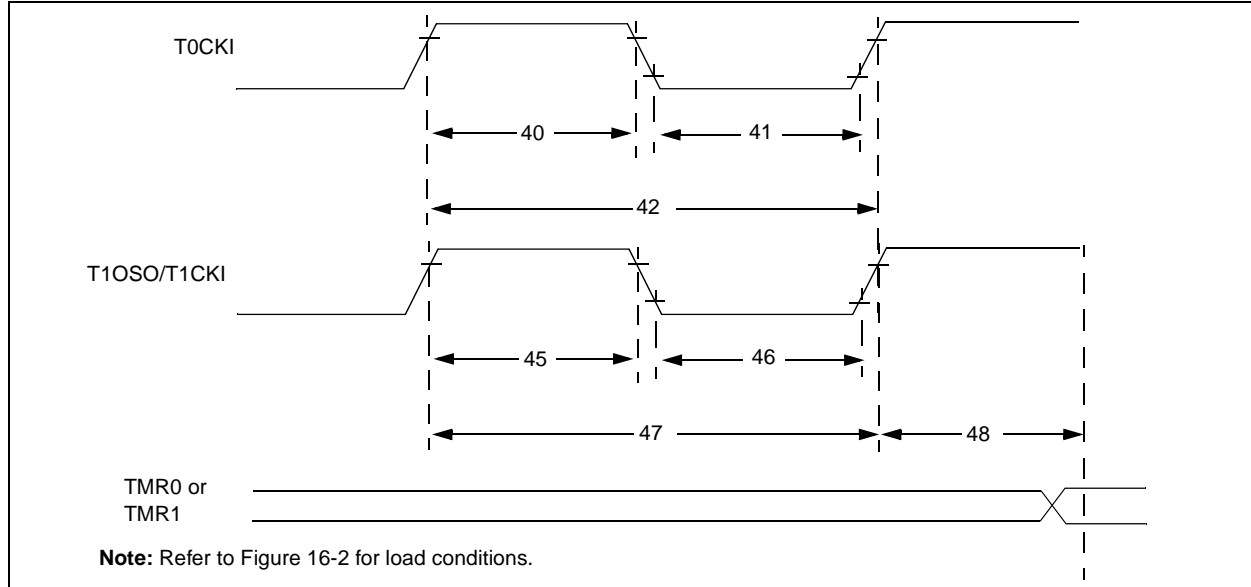
**TABLE 16-4: RESET, WATCHDOG TIMER, OSCILLATOR START-UP TIMER, POWER-UP TIMER, AND BROWN-OUT RESET REQUIREMENTS**

| Param No. | Sym   | Characteristic                                | Min | Typ†      | Max | Units | Conditions               |
|-----------|-------|---|-----|-----------|-----|-------|--------------------------|
| 30        | TMCL  | MCLR Pulse Width (low)                        | 2   | —         | —   | μs    | VDD = 5V, -40°C to +85°C |
| 31*       | TWDT  | Watchdog Timer Time-out Period (No Prescaler) | 7   | 18        | 33  | ms    | VDD = 5V, -40°C to +85°C |
| 32        | TOST  | Oscillation Start-up Timer Period             | —   | 1024 TOSC | —   | —     | TOSC = OSC1 period       |
| 33*       | TPWRT | Power-up Timer Period                         | 28  | 72        | 132 | ms    | VDD = 5V, -40°C to +85°C |
| 34        | TIOZ  | I/O Hi-impedance from MCLR Low or WDT reset   | —   | —         | 2.1 | μs    |                          |
| 35        | TBOR  | Brown-out Reset Pulse Width                   | 100 | —         | —   | μs    | VDD ≤ BVDD (D005)        |

\* These parameters are characterized but not tested.

† Data in "Typ" column is at 5V, 25°C unless otherwise stated. These parameters are for design guidance only and are not tested.

**FIGURE 16-8: TIMER0 AND TIMER1 EXTERNAL CLOCK TIMINGS**



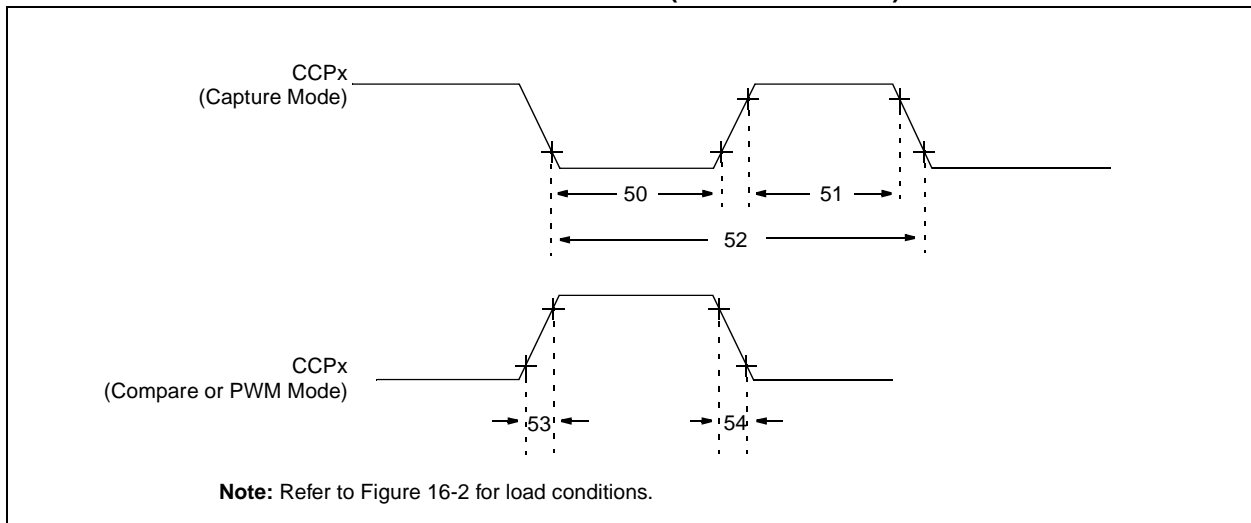
**TABLE 16-5: TIMER0 AND TIMER1 EXTERNAL CLOCK REQUIREMENTS**

| Param No. | Sym       | Characteristic  | Min                            | Typ†   | Max        | Units | Conditions |                                     |
|-----------|-----------|---|--------------------------------|--|------------|-------|------------|-------------------------------------|
| 40*       | TT0H      | T0CKI High Pulse Width  | No Prescaler                   | $0.5 T_{CY} + 20$                              | —          | —     | ns         | Must also meet parameter 42         |
|           |           |   | With Prescaler                 | 10   | —          | —     | ns         |                                     |
| 41*       | TT0L      | T0CKI Low Pulse Width   | No Prescaler                   | $0.5 T_{CY} + 20$                              | —          | —     | ns         | Must also meet parameter 42         |
|           |           |   | With Prescaler                 | 10   | —          | —     | ns         |                                     |
| 42*       | TT0P      | T0CKI Period  | No Prescaler                   | $T_{CY} + 40$                                  | —          | —     | ns         | N = prescale value (2, 4, ..., 256) |
|           |           |   | With Prescaler                 | Greater of:<br>$20$ or $\frac{T_{CY} + 40}{N}$ | —          | —     | ns         |                                     |
| 45*       | TT1H      | T1CKI High Time   | Synchronous, Prescaler = 1     | $0.5 T_{CY} + 20$                              | —          | —     | ns         | Must also meet parameter 47         |
|           |           |   | Synchronous, Prescaler = 2,4,8 | 15   | —          | —     | ns         |                                     |
|           |           |   | Asynchronous                   | 30   | —          | —     | ns         |                                     |
|           |           |   |                                | 50   | —          | —     | ns         |                                     |
| 46*       | TT1L      | T1CKI Low Time  | Synchronous, Prescaler = 1     | $0.5 T_{CY} + 20$                              | —          | —     | ns         | Must also meet parameter 47         |
|           |           |   | Synchronous, Prescaler = 2,4,8 | 15   | —          | —     | ns         |                                     |
|           |           |   | Asynchronous                   | 30   | —          | —     | ns         |                                     |
|           |           |   |                                | 50   | —          | —     | ns         |                                     |
| 47*       | TT1P      | T1CKI input period  | Synchronous                    | Greater of:<br>$30$ OR $\frac{T_{CY} + 40}{N}$ | —          | —     | ns         | N = prescale value (1, 2, 4, 8)     |
|           |           |   |                                | Greater of:<br>$50$ OR $\frac{T_{CY} + 40}{N}$ | —          | —     | ns         | N = prescale value (1, 2, 4, 8)     |
|           |           |   | Asynchronous                   | 60   | —          | —     | ns         |                                     |
|           |           |   |                                | 100  | —          | —     | ns         |                                     |
|           | FT1       | Timer1 oscillator input frequency range (oscillator enabled by setting bit T1OSCEN) | DC                             | —  | 200        | kHz   |            |                                     |
| 48        | TCKEZTMR1 | Delay from external clock edge to timer increment                                   | $2T_{osc}$                     | —  | $7T_{osc}$ | —     |            |                                     |

\* These parameters are characterized but not tested.

† Data in "Typ" column is at 5V, 25°C unless otherwise stated. These parameters are for design guidance only and are not tested.

**FIGURE 16-9: CAPTURE/COMPARE/PWM TIMINGS (CCP1 AND CCP2)**



**TABLE 16-6: CAPTURE/COMPARE/PWM REQUIREMENTS (CCP1 AND CCP2)**

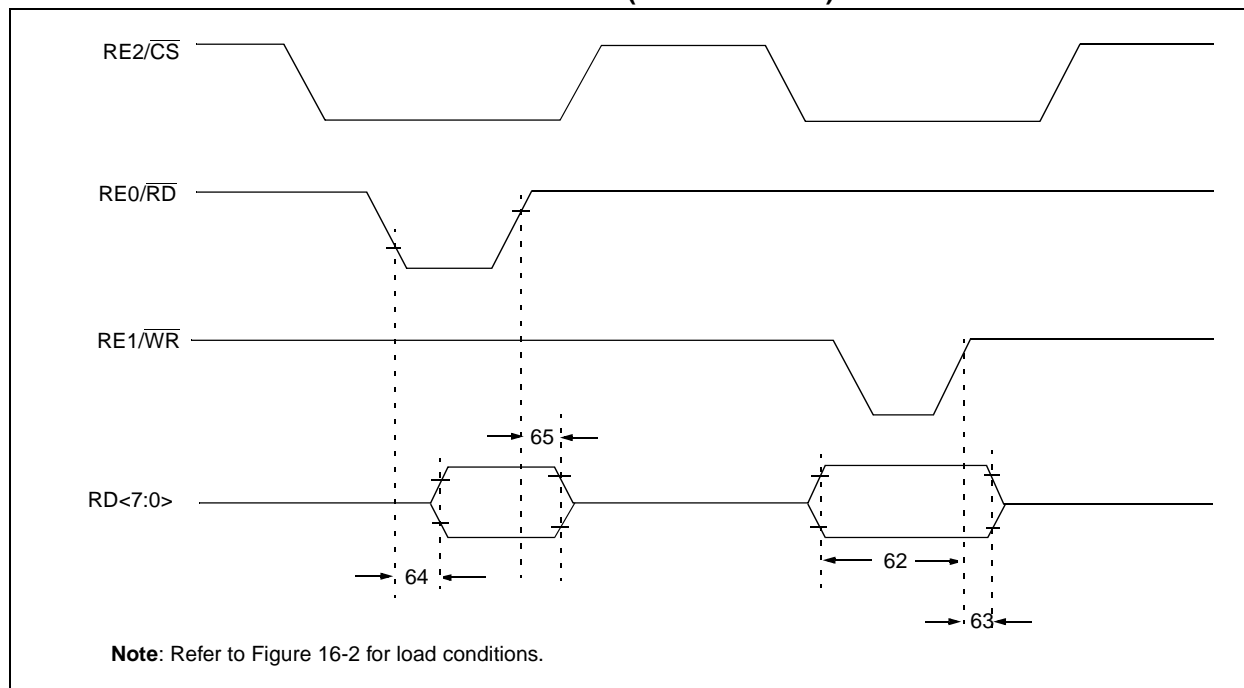
| Param No. | Sym  | Characteristic                 | Min                       | Typ†              | Max | Units | Conditions                       |  |
|-----------|------|--------------------------------|---------------------------|-------------------|-----|-------|----------------------------------|--|
| 50*       | TccL | CCP1 and CCP2 input low time   | No Prescaler              | $0.5 T_{CY} + 20$ | —   | —     | ns                               |  |
|           |      |                                | With Prescaler            | 10                | —   | —     | ns                               |  |
|           |      |                                |                           | 20                | —   | —     | ns                               |  |
| 51*       | TccH | CCP1 and CCP2 input high time  | No Prescaler              | $0.5 T_{CY} + 20$ | —   | —     | ns                               |  |
|           |      |                                | With Prescaler            | 10                | —   | —     | ns                               |  |
|           |      |                                |                           | 20                | —   | —     | ns                               |  |
| 52*       | TccP | CCP1 and CCP2 input period     | $\frac{3 T_{CY} + 40}{N}$ | —                 | —   | ns    | N = prescale value (1, 4, or 16) |  |
| 53*       | TccR | CCP1 and CCP2 output rise time | —                         | 10                | 25  | ns    |                                  |  |
|           |      |                                | —                         | 25                | 45  | ns    |                                  |  |
| 54*       | TccF | CCP1 and CCP2 output fall time | —                         | 10                | 25  | ns    |                                  |  |
|           |      |                                | —                         | 25                | 45  | ns    |                                  |  |

\* These parameters are characterized but not tested.

† Data in "Typ" column is at 5V, 25°C unless otherwise stated. These parameters are for design guidance only and are not tested.

# PIC16C745/765

**FIGURE 16-10: PARALLEL SLAVE PORT TIMING (PIC16C745/765)**



**TABLE 16-7: PARALLEL SLAVE PORT REQUIREMENTS**

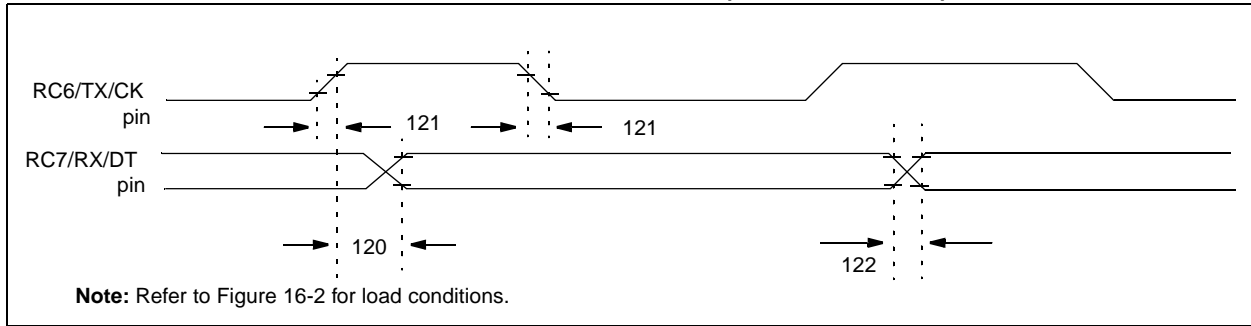
| Param No. | Sym      | Characteristic                               | Min | Typ† | Max | Units | Conditions |
|-----------|----------|--|-----|------|-----|-------|------------|
| 62*       | TDTV2WRH | Data in valid before WR↑ or CS↑ (setup time) | 20  | —    | —   | ns    |            |
| 63*       | TWRH2DTI | WR↑ or CS↑ to data-in invalid (hold time)    | 20  | —    | —   | ns    |            |
|           |          |  | 35  | —    | —   | ns    |            |
| 64        | TRDL2DTV | RD↓ and CS↓ to data-out valid                | —   | —    | 80  | ns    |            |
| 65*       | TRDH2DTI | RD↑ or CS↑ to data-out invalid               | 10  | —    | 30  | ns    |            |

\*These parameters are characterized but not tested.

† Data in "Typ" column is at 5V, 25°C unless otherwise stated. These parameters are for design guidance only and are not tested.



**FIGURE 16-11: USART SYNCHRONOUS TRANSMISSION (MASTER/SLAVE) TIMING**



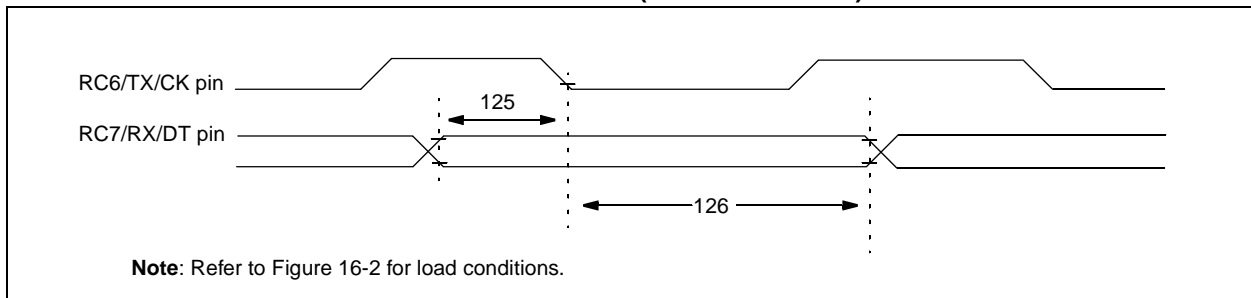
**TABLE 16-8: USART SYNCHRONOUS TRANSMISSION REQUIREMENTS**

| Param No. | Sym      | Characteristic   | Min | Typ† | Max | Units | Conditions |
|-----------|----------|--|-----|------|-----|-------|------------|
| 120*      | TCKH2DTV | SYNC XMIT (MASTER & SLAVE)<br>Clock high to data out valid | —   | —    | 80  | ns    |            |
|           |          |  | —   | —    | 100 | ns    |            |
| 121*      | TCKRF    | Clock out rise time and fall time (Master Mode)            | —   | —    | 45  | ns    |            |
|           |          |  | —   | —    | 50  | ns    |            |
| 122*      | TDTRF    | Data out rise time and fall time                           | —   | —    | 45  | ns    |            |
|           |          |  | —   | —    | 50  | ns    |            |

\*These parameters are characterized but not tested.

†Data in "Typ" column is at 5V, 25°C unless otherwise stated. These parameters are for design guidance only and are not tested.

**FIGURE 16-12: USART SYNCHRONOUS RECEIVE (MASTER/SLAVE) TIMING**



**TABLE 16-9: USART SYNCHRONOUS RECEIVE REQUIREMENTS**

| Param No. | Sym                  | Characteristic  | Min | Typ† | Max | Units | Conditions |
|-----------|----------------------|---|-----|------|-----|-------|------------|
| 125*      | T <sub>DTV2ckL</sub> | SYNC RCV (MASTER & SLAVE)<br>Data setup before CK ↓ (DT setup time) | 15  | —    | —   | ns    |            |
| 126*      | T <sub>ckL2DTL</sub> | Data hold after CK ↓ (DT hold time)                                 | 15  | —    | —   | ns    |            |

\*These parameters are characterized but not tested.

†Data in "Typ" column is at 5V, 25°C unless otherwise stated. These parameters are for design guidance only and are not tested.

# PIC16C745/765

**TABLE 16-10: A/D CONVERTER CHARACTERISTICS:  
PIC16C745/765 (COMMERCIAL, INDUSTRIAL)**

| Param No. | Sym  | Characteristic                                 | Min            | Typ†       | Max             | Units      | Conditions   |
|-----------|------|--|----------------|------------|-----------------|------------|--|
| A01       | NR   | Resolution                                     | —              | —          | 8 bits          | bit        |  |
| A02       | EABS | Total Absolute error                           | —              | —          | $< \pm 1$       | LSb        | $V_{REF} = V_{DD} = 5.12V$ ,<br>$V_{SS} \leq V_{AIN} \leq V_{REF}$   |
| A03       | EIL  | Integral linearity error                       | —              | —          | $< \pm 1$       | LSb        | $V_{REF} = V_{DD} = 5.12V$ ,<br>$V_{SS} \leq V_{AIN} \leq V_{REF}$   |
| A04       | EDL  | Differential linearity error                   | —              | —          | $< \pm 1$       | LSb        | $V_{REF} = V_{DD} = 5.12V$ ,<br>$V_{SS} \leq V_{AIN} \leq V_{REF}$   |
| A05       | EFS  | Full scale error                               | —              | —          | $< \pm 1$       | LSb        | $V_{REF} = V_{DD} = 5.12V$ ,<br>$V_{SS} \leq V_{AIN} \leq V_{REF}$   |
| A06       | E0FF | Offset error                                   | —              | —          | $< \pm 1$       | LSb        | $V_{REF} = V_{DD} = 5.12V$ ,<br>$V_{SS} \leq V_{AIN} \leq V_{REF}$   |
| A10       | —    | Monotonicity ( <b>Note 3</b> )                 | —              | guaranteed | —               | —          | $V_{SS} \leq V_{AIN} \leq V_{REF}$   |
| A20       | VREF | Reference voltage                              | 2.5V           | —          | $V_{DD} + 0.3$  | V          |  |
| A25       | VAIN | Analog input voltage                           | $V_{SS} - 0.3$ | —          | $V_{REF} + 0.3$ | V          |  |
| A30       | ZAIN | Recommended impedance of analog voltage source | —              | —          | 10.0            | k $\Omega$ |  |
| A40       | IAD  | A/D conversion current (VDD)                   | —              | 180        | —               | $\mu A$    | Average current consumption when A/D is on. ( <b>Note 1</b> )  |
|           |      |  | —              | 90         | —               | $\mu A$    |  |
| A50       | IREF | VREF input current ( <b>Note 2</b> )           | 10             | —          | 1000            | $\mu A$    | During VAIN acquisition. Based on differential of VHOLD to VAIN to charge CHOLD, see Section 12.1. During A/D Conversion cycle |
|           |      |  | —              | —          | 10              | $\mu A$    |  |

\* These parameters are characterized but not tested.

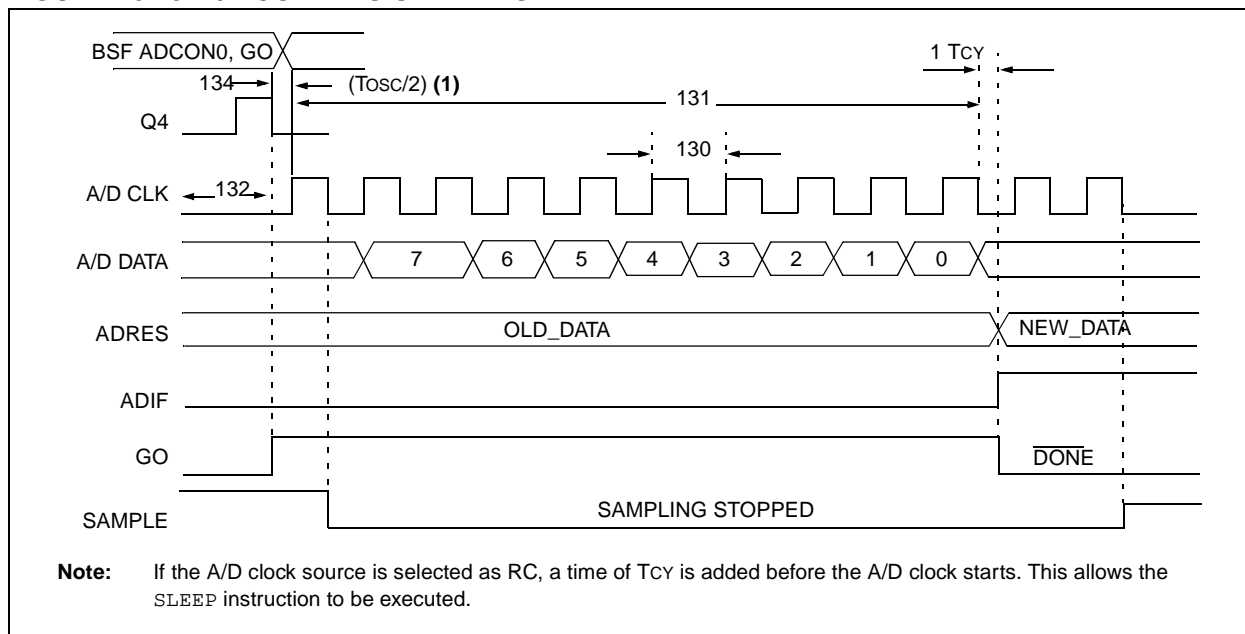
† Data in "Typ" column is at 5V, 25°C unless otherwise stated. These parameters are for design guidance only and are not tested.

**Note 1:** When A/D is off, it will not consume any current other than minor leakage current. The power-down current spec includes any such leakage from the A/D module.

**2:** VREF current is from the RA3 pin or the VDD pin, whichever is selected as a reference input.

**3:** The A/D conversion result never decreases with an increase in the input voltage and has no missing codes.

**FIGURE 16-13: A/D CONVERSION TIMING**



**TABLE 16-11: A/D CONVERSION REQUIREMENTS**

| Param No. | Sym  | Characteristic                                    | Min   | Typ†   | Max | Units | Conditions  |
|-----------|------|---|-------|--------|-----|-------|---|
| 130       | TAD  | A/D clock period                                  | 1.6   | —      | —   | μs    | TOSC based, $V_{REF} \geq 3.0V$   |
|           |      |   | 2.0   | —      | —   | μs    | TOSC based, $2.5V \leq V_{REF} \leq 5.5V$   |
|           |      |   | 2.0   | 4.0    | 6.0 | μs    | A/D RC Mode   |
|           |      |   | 3.0   | 6.0    | 9.0 | μs    | A/D RC Mode   |
| 131       | TCNV | Conversion time (not including S/H time) (Note 1) | 11    | —      | 11  | TAD   |   |
| 132       | TACQ | Acquisition time                                  | 5*    | —      | —   | μs    | The minimum time is the amplifier settling time. This may be used if the "new" input voltage has not changed by more than 1 LSb (i.e., 20.0 mV @ 5.12V) from the last sampled voltage (as stated on CHOLD). |
| 134       | TGO  | Q4 to A/D clock start                             | —     | TOSC/2 | —   | —     | If the A/D clock source is selected as RC, a time of $T_{CY}$ is added before the A/D clock starts. This allows the SLEEP instruction to be executed.   |
| 135       | Tswc | Switching from convert → sample time              | 1.5 § | —      | —   | TAD   |   |

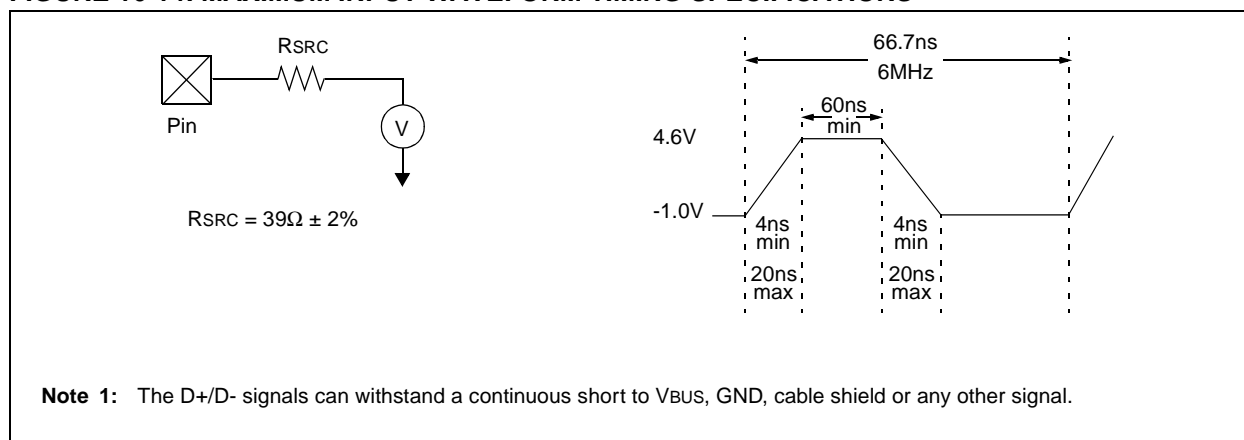
\* These parameters are characterized but not tested.

† Data in "Typ" column is at 5V, 25°C unless otherwise stated. These parameters are for design guidance only and are not tested.

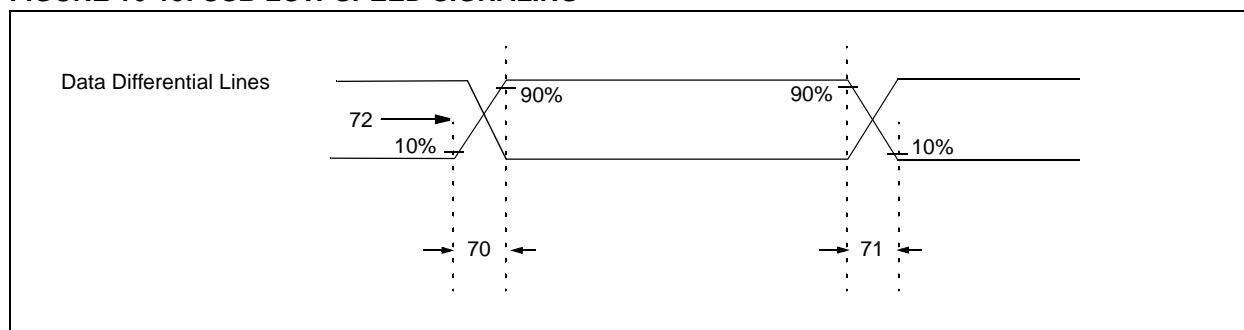
**Note 1:** ADRES register may be read on the following  $T_{CY}$  cycle.

**2:** See Section 12.1 for min conditions.

**FIGURE 16-14: MAXIMUM INPUT WAVEFORM TIMING SPECIFICATIONS**



**FIGURE 16-15: USB LOW SPEED SIGNALING**



**TABLE 16-12: USB AC AND DC SPECIFICATIONS**

| Parameter No. | Sym   | Characteristic                 | Min | Typ† | Max | Units | Conditions |
|---------------|-------|--------------------------------|-----|------|-----|-------|------------|
| 70            | TLR   | Transition Rise Time           | 75  |      | 300 | ns    |            |
| 71            | TLF   | Transition Fall Time           | 75  |      | 300 | ns    |            |
| 72            | VCRS  | Crossover Voltage              | 1.3 |      | 2.0 | V     |            |
|               | TLRFM | Rise and Fall Time Matching    | 80  |      | 125 | %     |            |
|               | VIL   | Voltage Input Low              |     |      | 0.8 | V     |            |
|               | VIH   | Voltage Input High             | 2.0 |      |     | V     |            |
|               | VIHZ  | Voltage Input High Floating    | 2.7 |      | 3.6 | V     |            |
|               |       | Differential Input Sensitivity | 0.2 |      |     | V     | (D+)-(D-)  |
|               |       | Differential Common Mode Range | 0.8 |      | 2.5 | V     |            |
|               | VOL   | Voltage Output Low             | 0.0 |      | 0.3 | V     |            |
|               | VOH   | Voltage Output High            | 2.8 |      | 3.6 | V     |            |
|               | VUSB  | USB Voltage Output             | 2.7 |      | 3.6 | V     |            |

## 17.0 DC AND AC CHARACTERISTICS GRAPHS AND TABLES

Graphs and Tables not available at this time.

# PIC16C745/765

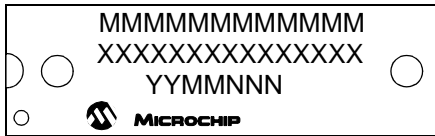
---

NOTES:

## 18.0 PACKAGING INFORMATION

### 18.1 Package Marking Information

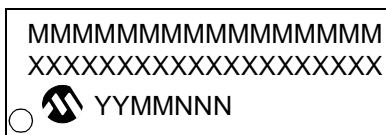
28-Lead PDIP (Skinny DIP)



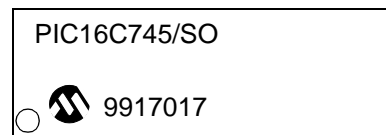
Example



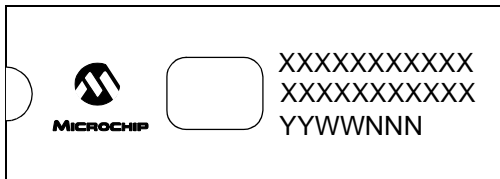
28-Lead SOIC



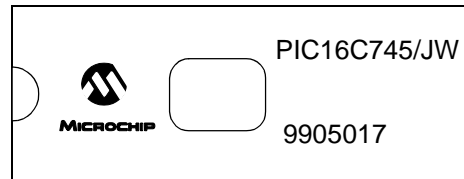
Example



28-Lead CERDIP Windowed



Example



**Legend:** MM...M Microchip part number information  
XX...X Customer specific information\*  
YY Year code (last 2 digits of calendar year)  
WW Week code (week of January 1 is week '01')  
NNN Alphanumeric traceability code

**Note:** In the event the full Microchip part number cannot be marked on one line, it will be carried over to the next line thus limiting the number of available characters for customer specific information.

\* Standard OTP marking consists of Microchip part number, year code, week code, facility code, mask rev#, and assembly code. For OTP marking beyond this, certain price adders apply. Please check with your Microchip Sales Office. For QTP devices, any special marking adders are included in QTP price.

# PIC16C745/765

---

## Package Marking Information (Cont'd)

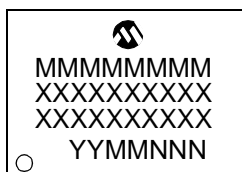
40-Lead PDIP



Example



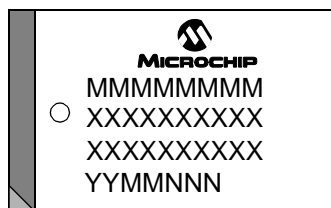
44-Lead TQFP



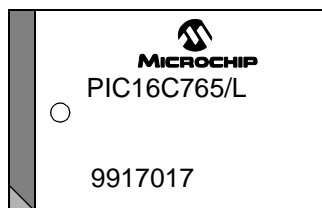
Example



44-Lead PLCC

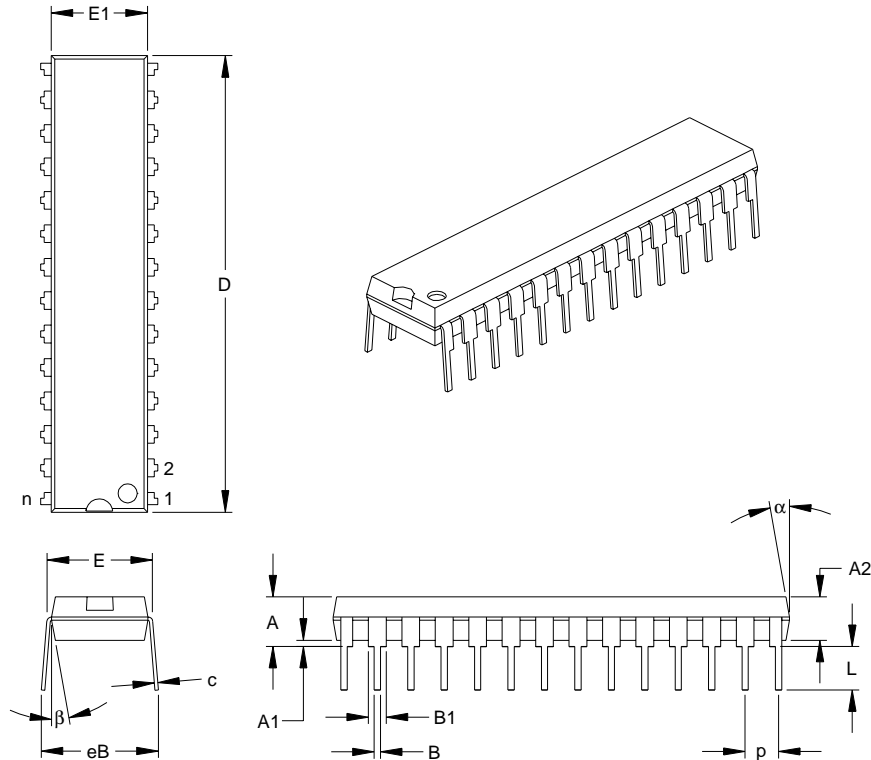


Example





## 28-Lead Skinny Plastic Dual In-line (SP) – 300 mil (PDIP)



| Dimension Limits           | Units    | INCHES* |       |       | MILLIMETERS |       |       |
|----------------------------|----------|---------|-------|-------|-------------|-------|-------|
|                            |          | MIN     | NOM   | MAX   | MIN         | NOM   | MAX   |
| Number of Pins             | n        |         | 28    |       |             | 28    |       |
| Pitch                      | p        |         | .100  |       |             | 2.54  |       |
| Top to Seating Plane       | A        | .140    | .150  | .160  | 3.56        | 3.81  | 4.06  |
| Molded Package Thickness   | A2       | .125    | .130  | .135  | 3.18        | 3.30  | 3.43  |
| Base to Seating Plane      | A1       | .015    |       |       | 0.38        |       |       |
| Shoulder to Shoulder Width | E        | .300    | .313  | .325  | 7.62        | 7.94  | 8.26  |
| Molded Package Width       | E1       | .279    | .307  | .335  | 7.09        | 7.80  | 8.51  |
| Overall Length             | D        | 1.345   | 1.365 | 1.385 | 34.16       | 34.67 | 35.18 |
| Tip to Seating Plane       | L        | .125    | .130  | .135  | 3.18        | 3.30  | 3.43  |
| Lead Thickness             | c        | .008    | .012  | .015  | 0.20        | 0.29  | 0.38  |
| Upper Lead Width           | B1       | .040    | .053  | .065  | 1.02        | 1.33  | 1.65  |
| Lower Lead Width           | B        | .016    | .019  | .022  | 0.41        | 0.48  | 0.56  |
| Overall Row Spacing        | eB       | .320    | .350  | .430  | 8.13        | 8.89  | 10.92 |
| Mold Draft Angle Top       | $\alpha$ | 5       | 10    | 15    | 5           | 10    | 15    |
| Mold Draft Angle Bottom    | $\beta$  | 5       | 10    | 15    | 5           | 10    | 15    |

\*Controlling Parameter

Notes:

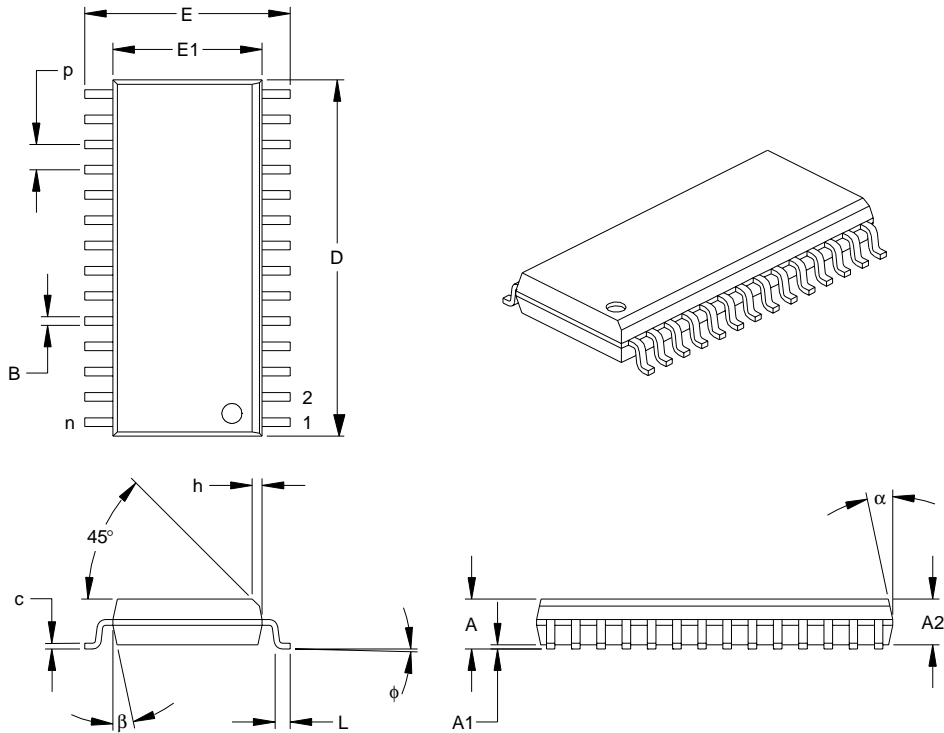
Dimensions D and E1 do not include mold flash or protrusions. Mold flash or protrusions shall not exceed .010" (0.254mm) per side.

JEDEC Equivalent: MO-095

Drawing No. C04-070

# PIC16C745/765

## 28-Lead Plastic Small Outline (SO) – Wide, 300 mil (SOIC)



| Dimension Limits         | Units    | INCHES* |      |      | MILLIMETERS |       |       |
|--------------------------|----------|---------|------|------|-------------|-------|-------|
|                          |          | MIN     | NOM  | MAX  | MIN         | NOM   | MAX   |
| Number of Pins           | n        |         | 28   |      |             | 28    |       |
| Pitch                    | P        |         | .050 |      |             | 1.27  |       |
| Overall Height           | A        | .093    | .099 | .104 | 2.36        | 2.50  | 2.64  |
| Molded Package Thickness | A2       | .088    | .091 | .094 | 2.24        | 2.31  | 2.39  |
| Standoff                 | A1       | .004    | .008 | .012 | 0.10        | 0.20  | 0.30  |
| Overall Width            | E        | .394    | .407 | .420 | 10.01       | 10.34 | 10.67 |
| Molded Package Width     | E1       | .288    | .295 | .299 | 7.32        | 7.49  | 7.59  |
| Overall Length           | D        | .695    | .704 | .712 | 17.65       | 17.87 | 18.08 |
| Chamfer Distance         | h        | .010    | .020 | .029 | 0.25        | 0.50  | 0.74  |
| Foot Length              | L        | .016    | .033 | .050 | 0.41        | 0.84  | 1.27  |
| Foot Angle Top           | $\phi$   | 0       | 4    | 8    | 0           | 4     | 8     |
| Lead Thickness           | c        | .009    | .011 | .013 | 0.23        | 0.28  | 0.33  |
| Lead Width               | B        | .014    | .017 | .020 | 0.36        | 0.42  | 0.51  |
| Mold Draft Angle Top     | $\alpha$ | 0       | 12   | 15   | 0           | 12    | 15    |
| Mold Draft Angle Bottom  | $\beta$  | 0       | 12   | 15   | 0           | 12    | 15    |

\*Controlling Parameter

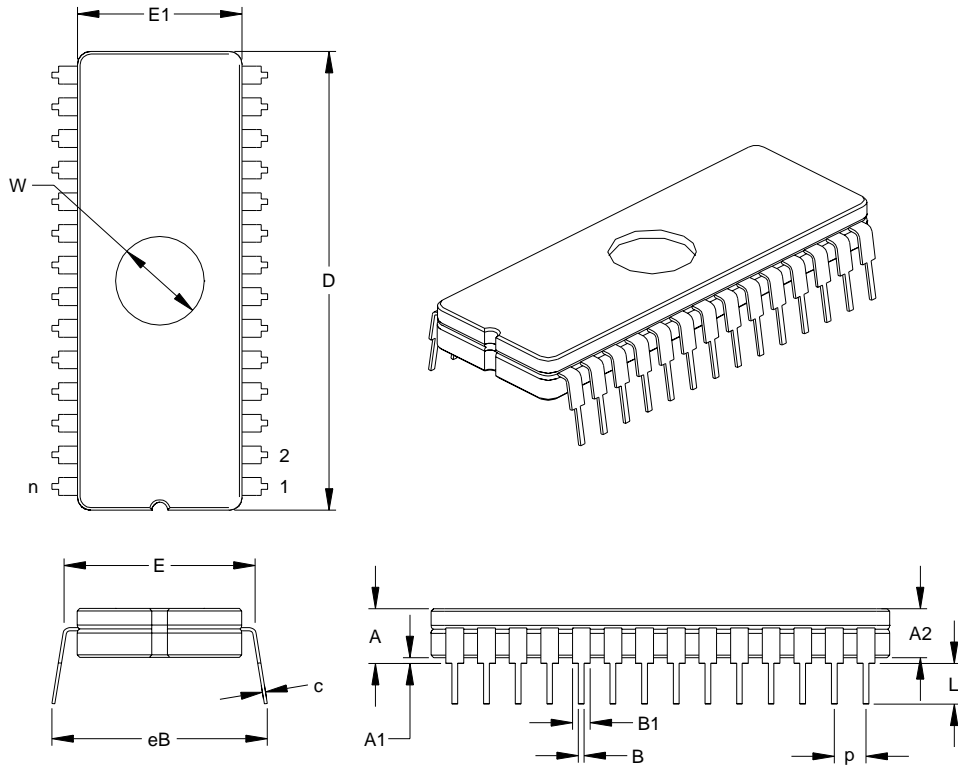
**Notes:**

Dimensions D and E1 do not include mold flash or protrusions. Mold flash or protrusions shall not exceed .010" (0.254mm) per side.

JEDEC Equivalent: MS-013

Drawing No. C04-052

## 28-Lead Ceramic Dual In-line with Window (JW) – 600 mil (CERDIP)

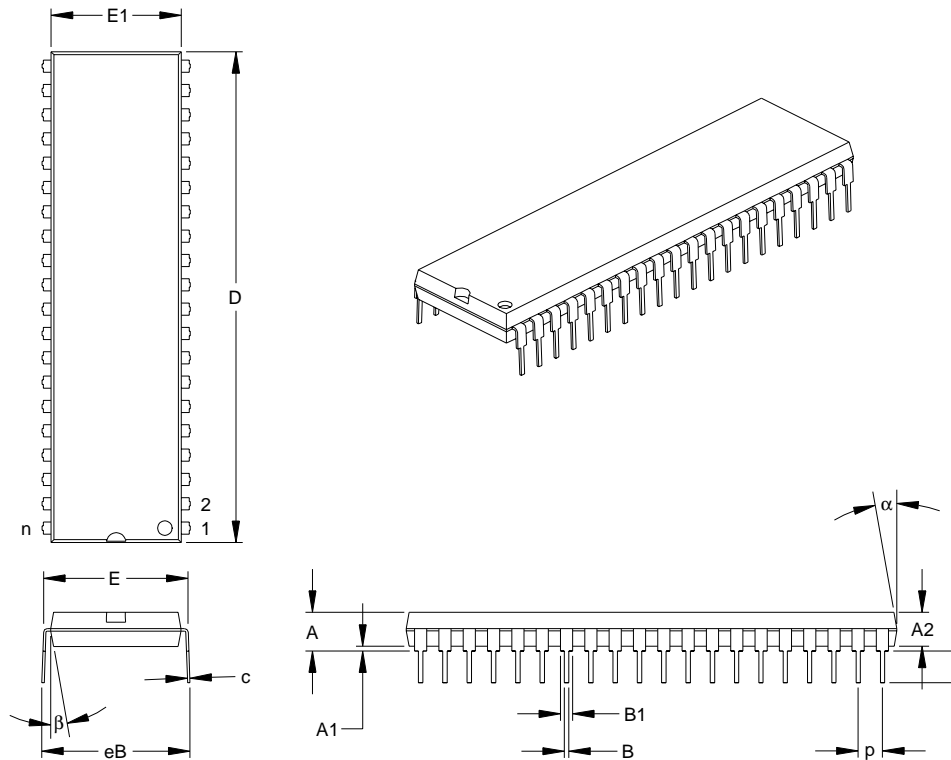


| Units                      |    | INCHES* |       |       | MILLIMETERS |       |       |
|----------------------------|----|---------|-------|-------|-------------|-------|-------|
| Dimension Limits           |    | MIN     | NOM   | MAX   | MIN         | NOM   | MAX   |
| Number of Pins             | n  |         | 28    |       |             | 28    |       |
| Pitch                      | p  |         | .100  |       |             | 2.54  |       |
| Top to Seating Plane       | A  | .170    | .185  | .200  | 4.32        | 4.70  | 5.08  |
| Ceramic Package Height     | A2 | .155    | .160  | .165  | 3.94        | 4.06  | 4.19  |
| Standoff                   | A1 | .015    | .038  | .060  | 0.38        | 0.95  | 1.52  |
| Shoulder to Shoulder Width | E  | .595    | .600  | .625  | 15.11       | 15.24 | 15.88 |
| Ceramic Pkg. Width         | E1 | .514    | .520  | .526  | 13.06       | 13.21 | 13.36 |
| Overall Length             | D  | 1.430   | 1.460 | 1.490 | 36.32       | 37.08 | 37.85 |
| Tip to Seating Plane       | L  | .125    | .138  | .150  | 3.18        | 3.49  | 3.81  |
| Lead Thickness             | c  | .008    | .010  | .012  | 0.20        | 0.25  | 0.30  |
| Upper Lead Width           | B1 | .050    | .058  | .065  | 1.27        | 1.46  | 1.65  |
| Lower Lead Width           | B  | .016    | .020  | .023  | 0.41        | 0.51  | 0.58  |
| Overall Row Spacing        | eB | .610    | .660  | .710  | 15.49       | 16.76 | 18.03 |
| Window Diameter            | W  | .270    | .280  | .290  | 6.86        | 7.11  | 7.37  |

\*Controlling Parameter  
JEDEC Equivalent: MO-103  
Drawing No. C04-013

# PIC16C745/765

## 40-Lead Plastic Dual In-line (P) – 600 mil (PDIP)



| Dimension Limits           | Units    | INCHES* |       |       | MILLIMETERS |       |       |
|----------------------------|----------|---------|-------|-------|-------------|-------|-------|
|                            |          | MIN     | NOM   | MAX   | MIN         | NOM   | MAX   |
| Number of Pins             | n        |         | 40    |       |             | 40    |       |
| Pitch                      | P        |         | .100  |       |             | 2.54  |       |
| Top to Seating Plane       | A        | .160    | .175  | .190  | 4.06        | 4.45  | 4.83  |
| Molded Package Thickness   | A2       | .140    | .150  | .160  | 3.56        | 3.81  | 4.06  |
| Base to Seating Plane      | A1       | .015    |       |       | 0.38        |       |       |
| Shoulder to Shoulder Width | E        | .595    | .600  | .625  | 15.11       | 15.24 | 15.88 |
| Molded Package Width       | E1       | .530    | .545  | .560  | 13.46       | 13.84 | 14.22 |
| Overall Length             | D        | 2.045   | 2.058 | 2.065 | 51.94       | 52.26 | 52.45 |
| Tip to Seating Plane       | L        | .120    | .130  | .135  | 3.05        | 3.30  | 3.43  |
| Lead Thickness             | c        | .008    | .012  | .015  | 0.20        | 0.29  | 0.38  |
| Upper Lead Width           | B1       | .030    | .050  | .070  | 0.76        | 1.27  | 1.78  |
| Lower Lead Width           | B        | .014    | .018  | .022  | 0.36        | 0.46  | 0.56  |
| Overall Row Spacing        | eB       | .620    | .650  | .680  | 15.75       | 16.51 | 17.27 |
| Mold Draft Angle Top       | $\alpha$ | 5       | 10    | 15    | 5           | 10    | 15    |
| Mold Draft Angle Bottom    | $\beta$  | 5       | 10    | 15    | 5           | 10    | 15    |

\*Controlling Parameter

Notes:

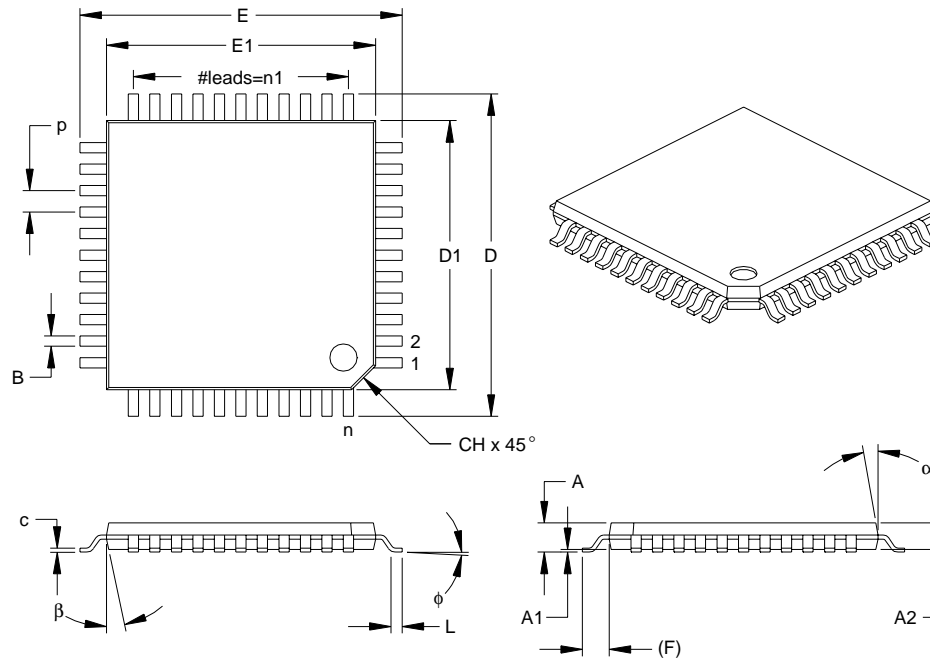
Dimensions D and E1 do not include mold flash or protrusions. Mold flash or protrusions shall not exceed .010" (0.254mm) per side.

JEDEC Equivalent: MO-011

Drawing No. C04-016

# PIC16C745/765

## 44-Lead Plastic Thin Quad Flatpack (PT) 10x10x1 mm Body, 1.0/0.10 mm Lead Form (TQFP)



| Dimension Limits         | Units | INCHES |      |      | MILLIMETERS* |       |       |
|--------------------------|-------|--------|------|------|--------------|-------|-------|
|                          |       | MIN    | NOM  | MAX  | MIN          | NOM   | MAX   |
| Number of Pins           | n     |        | 44   |      |              | 44    |       |
| Pitch                    | p     |        | .031 |      |              | 0.80  |       |
| Pins per Side            | n1    |        | 11   |      |              | 11    |       |
| Overall Height           | A     | .039   | .043 | .047 | 1.00         | 1.10  | 1.20  |
| Molded Package Thickness | A2    | .037   | .039 | .041 | 0.95         | 1.00  | 1.05  |
| Standoff                 | A1    | .002   | .004 | .006 | 0.05         | 0.10  | 0.15  |
| Foot Length              | L     | .018   | .024 | .030 | 0.45         | 0.60  | 0.75  |
| Footprint (Reference)    | (F)   |        | .039 |      | 1.00         |       |       |
| Foot Angle               | φ     | 0      | 3.5  | 7    | 0            | 3.5   | 7     |
| Overall Width            | E     | .463   | .472 | .482 | 11.75        | 12.00 | 12.25 |
| Overall Length           | D     | .463   | .472 | .482 | 11.75        | 12.00 | 12.25 |
| Molded Package Width     | E1    | .390   | .394 | .398 | 9.90         | 10.00 | 10.10 |
| Molded Package Length    | D1    | .390   | .394 | .398 | 9.90         | 10.00 | 10.10 |
| Lead Thickness           | c     | .004   | .006 | .008 | 0.09         | 0.15  | 0.20  |
| Lead Width               | B     | .012   | .015 | .017 | 0.30         | 0.38  | 0.44  |
| Pin 1 Corner Chamfer     | CH    | .025   | .035 | .045 | 0.64         | 0.89  | 1.14  |
| Mold Draft Angle Top     | α     | 5      | 10   | 15   | 5            | 10    | 15    |
| Mold Draft Angle Bottom  | β     | 5      | 10   | 15   | 5            | 10    | 15    |

\*Controlling Parameter

Notes:

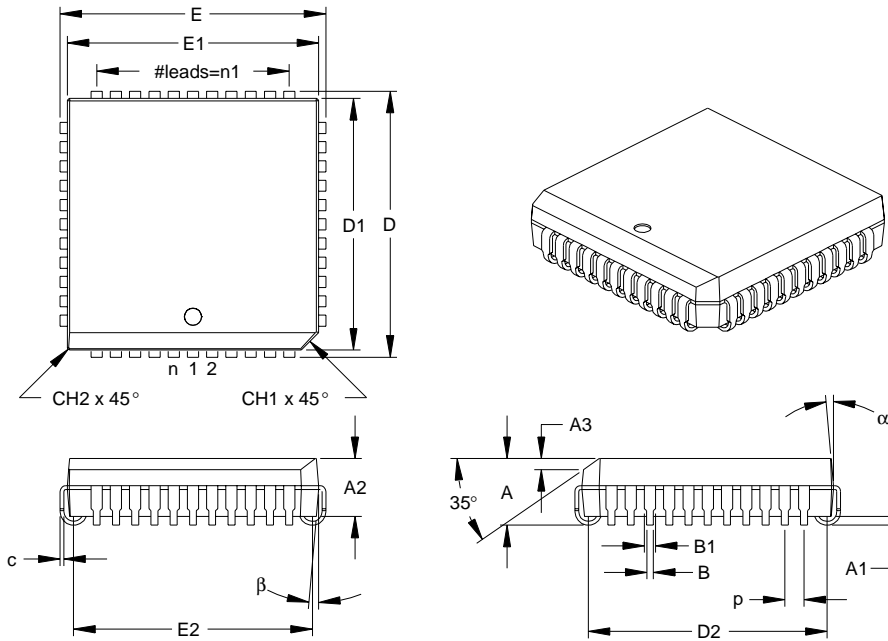
Dimensions D1 and E1 do not include mold flash or protrusions. Mold flash or protrusions shall not exceed .010" (0.254mm) per side.

JEDEC Equivalent: MS-026

Drawing No. C04-076

# PIC16C745/765

## 44-Lead Plastic Leaded Chip Carrier (L) – Square (PLCC)



| Units                    |     | INCHES* |      |      | MILLIMETERS |       |       |
|--------------------------|-----|---------|------|------|-------------|-------|-------|
| Dimension Limits         |     | MIN     | NOM  | MAX  | MIN         | NOM   | MAX   |
| Number of Pins           | n   |         | 44   |      |             | 44    |       |
| Pitch                    | p   |         | .050 |      |             | 1.27  |       |
| Pins per Side            | n1  |         | 11   |      |             | 11    |       |
| Overall Height           | A   | .165    | .173 | .180 | 4.19        | 4.39  | 4.57  |
| Molded Package Thickness | A2  | .145    | .153 | .160 | 3.68        | 3.87  | 4.06  |
| Standoff                 | A1  | .020    | .028 | .035 | 0.51        | 0.71  | 0.89  |
| Side 1 Chamfer Height    | A3  | .024    | .029 | .034 | 0.61        | 0.74  | 0.86  |
| Corner Chamfer 1         | CH1 | .040    | .045 | .050 | 1.02        | 1.14  | 1.27  |
| Corner Chamfer (others)  | CH2 | .000    | .005 | .010 | 0.00        | 0.13  | 0.25  |
| Overall Width            | E   | .685    | .690 | .695 | 17.40       | 17.53 | 17.65 |
| Overall Length           | D   | .685    | .690 | .695 | 17.40       | 17.53 | 17.65 |
| Molded Package Width     | E1  | .650    | .653 | .656 | 16.51       | 16.59 | 16.66 |
| Molded Package Length    | D1  | .650    | .653 | .656 | 16.51       | 16.59 | 16.66 |
| Footprint Width          | E2  | .590    | .620 | .630 | 14.99       | 15.75 | 16.00 |
| Footprint Length         | D2  | .590    | .620 | .630 | 14.99       | 15.75 | 16.00 |
| Lead Thickness           | c   | .008    | .011 | .013 | 0.20        | 0.27  | 0.33  |
| Upper Lead Width         | B1  | .026    | .029 | .032 | 0.66        | 0.74  | 0.81  |
| Lower Lead Width         | B   | .013    | .020 | .021 | 0.33        | 0.51  | 0.53  |
| Mold Draft Angle Top     | α   | 0       | 5    | 10   | 0           | 5     | 10    |
| Mold Draft Angle Bottom  | β   | 0       | 5    | 10   | 0           | 5     | 10    |

\*Controlling Parameter

Notes:

Dimensions D and E1 do not include mold flash or protrusions. Mold flash or protrusions shall not exceed .010" (0.254mm) per side.

JEDEC Equivalent: MO-047

Drawing No. C04-048

## INDEX

### A

#### A/D

|  |        |
|--|--------|
| ADCON0 Register .....  | 89     |
| Analog Input Model Block Diagram.....                            | 92     |
| Analog-to-Digital Converter.....                                 | 89     |
| Block Diagram .....  | 91     |
| Configuring Analog Port Pins .....                               | 93     |
| Configuring the Interrupt .....                                  | 91     |
| Configuring the Module .....                                     | 91     |
| Conversion Clock .....   | 93     |
| Conversions .....  | 93     |
| Converter Characteristics .....                                  | 138    |
| Effects of a Reset .....   | 94     |
| Faster Conversion - Lower Resolution Tradeoff .....              | 93     |
| Internal Sampling Switch (Rss) Impedance .....                   | 92     |
| Operation During Sleep .....                                     | 94     |
| Sampling Requirements .....                                      | 92     |
| Source Impedance .....   | 92     |
| Timing Diagram .....   | 139    |
| Using the CCP Trigger .....                                      | 94     |
| Absolute Maximum Ratings .....                                   | 123    |
| ADRES Register .....   | 17, 89 |
| Application Notes  |        |
| AN552, Implementing Wake-up on Key Strokes Using PIC16CXXX ..... | 33     |
| AN556, Table Reading Using PIC16CXX .....                        | 29     |
| AN607, Power-up Trouble Shooting .....                           | 99     |
| Architecture   |        |
| Overview .....   | 9      |
| Assembler  |        |
| MPASM Assembler .....  | 117    |

### B

|  |     |
|--|-----|
| Baud Rate Formula .....                        | 77  |
| Block Diagrams                                 |     |
| A/D .....                                      | 91  |
| Analog Input Model .....                       | 92  |
| Capture .....                                  | 53  |
| Compare .....                                  | 54  |
| On-Chip Reset Circuit .....                    | 98  |
| PORTC .....                                    | 35  |
| PORTD (In I/O Port Mode) .....                 | 37  |
| PORTD and PORTE as a Parallel Slave Port ..... | 40  |
| PORTE (In I/O Port Mode) .....                 | 38  |
| PWM .....                                      | 54  |
| RA4/T0CKI Pin .....                            | 31  |
| RB Port Pins .....                             | 33  |
| RB Port Pins .....                             | 33  |
| Timer0/WDT Prescaler .....                     | 43  |
| Timer2 .....                                   | 49  |
| USART Receive .....                            | 81  |
| USART Transmit .....                           | 79  |
| Watchdog Timer .....                           | 106 |
| $\overline{\text{BOR}}$ bit .....              | 99  |
| BRGH bit .....                                 | 77  |
| Brown-out Reset (BOR)                          |     |
| Timing Diagram .....                           | 133 |
| Buffer Descriptor Table .....                  | 68  |

### C

|  |            |
|--|------------|
| C bit .....                                      | 22         |
| Capture/Compare/PWM                              |            |
| Capture  |            |
| Block Diagram .....                              | 53         |
| CCP1CON Register .....                           | 52         |
| CCP1IF .....                                     | 53         |
| Mode .....                                       | 53         |
| Prescaler .....                                  | 53         |
| CCP Timer Resources .....                        | 51         |
| Compare  |            |
| Block Diagram .....                              | 54         |
| Mode .....                                       | 54         |
| Software Interrupt Mode .....                    | 54         |
| Special Event Trigger .....                      | 54         |
| Special Trigger Output of CCP1 .....             | 54         |
| Special Trigger Output of CCP2 .....             | 54         |
| Interaction of Two CCP Modules .....             | 51         |
| Section .....                                    | 51         |
| Special Event Trigger and A/D Conversions .....  | 54         |
| Capture/Compare/PWM (CCP)                        |            |
| PWM Block Diagram .....                          | 54         |
| PWM Mode .....                                   | 54         |
| Timing Diagram .....                             | 135        |
| CCP1CON .....                                    | 19         |
| CCP2CON .....                                    | 19         |
| CCPR1H Register .....                            | 17, 19, 51 |
| CCPR1L Register .....                            | 19, 51     |
| CCPR2H Register .....                            | 17, 19     |
| CCPR2L Register .....                            | 17, 19     |
| Clocking Scheme .....                            | 13         |
| Code Examples                                    |            |
| Call of a Subroutine in Page 1 from Page 0 ..... | 29         |
| Changing Prescaler (Timer0 to WDT) .....         | 44         |
| Indirect Addressing .....                        | 30         |
| Initializing PORTA .....                         | 31         |
| Code Protection .....                            | 95, 108    |
| Computed GOTO .....                              | 29         |
| Configuration Bits .....                         | 95         |
| Control .....                                    | 60         |
| CREN bit .....                                   | 76         |
| CS pin .....                                     | 40         |

### D

|                           |               |
|---------------------------|---------------|
| DC bit .....              | 22            |
| DC Characteristics .....  | 125, 126, 127 |
| Development Support ..... | 5, 117        |
| Direct Addressing .....   | 30            |

### E

|                                  |     |
|----------------------------------|-----|
| EC Oscillator .....              | 100 |
| Electrical Characteristics ..... | 123 |
| Endpoint .....                   | 70  |
| Errata .....                     | 3   |
| Error .....                      | 63  |

### F

|                    |                |
|--------------------|----------------|
| FERR bit .....     | 76             |
| FSR Register ..... | 17, 18, 20, 30 |

### G

|                           |     |
|---------------------------|-----|
| General Description ..... | 5   |
| GIE bit .....             | 103 |

# PIC16C745/765

## I

|   |            |
|---|------------|
| I/O Ports .....   | 31         |
| PORTA .....   | 31         |
| PORTB .....   | 33         |
| PORTC .....   | 35         |
| PORTD .....   | 37, 40     |
| PORTE .....   | 38         |
| In-Circuit Serial Programming .....                         | 95, 108    |
| INDF .....  | 19, 20     |
| INDF Register .....   | 17, 18, 30 |
| Indirect Addressing .....                                   | 30         |
| Instruction Cycle .....                                     | 13         |
| Instruction Flow/Pipelining .....                           | 13         |
| Instruction Format .....                                    | 109        |
| Instruction Set   |            |
| ADDLW .....   | 111        |
| ADDWF .....   | 111        |
| ANDLW .....   | 111        |
| ANDWF .....   | 111        |
| BCF .....   | 111        |
| BSF .....   | 111        |
| BTFSC .....   | 112        |
| BTFSS .....   | 112        |
| CALL .....  | 112        |
| CLRF .....  | 112        |
| CLRWF .....   | 112        |
| CLRWDI .....  | 112        |
| COMF .....  | 113        |
| DECF .....  | 113        |
| DECFSZ .....  | 113        |
| GOTO .....  | 113        |
| INCF .....  | 113        |
| INCFSZ .....  | 113        |
| IORLW .....   | 114        |
| IORWF .....   | 114        |
| MOVF .....  | 114        |
| MOVLW .....   | 114        |
| MOVWF .....   | 114        |
| NOP .....   | 114        |
| RETFIE .....  | 115        |
| RETLW .....   | 115        |
| RETURN .....  | 115        |
| RLF .....   | 115        |
| RRF .....   | 115        |
| SLEEP .....   | 115        |
| SUBLW .....   | 116        |
| SUBWF .....   | 116        |
| SWAPF .....   | 116        |
| XORLW .....   | 116        |
| XORWF .....   | 116        |
| Summary Table .....   | 110        |
| Instruction Set Summary .....                               | 109        |
| INT Interrupt .....   | 105        |
| INTCON .....  | 20         |
| INTCON Register .....                                       | 24         |
| INTEDG bit .....  | 105        |
| Internal Sampling Switch (R <sub>ss</sub> ) Impedance ..... | 92         |
| Interrupts .....  | 95, 103    |
| PortB Change .....  | 105        |
| RB Port Change .....  | 33         |
| TMR0 .....  | 105        |
| IRP bit .....   | 22         |

## K

|  |     |
|--|-----|
| KeeLoq® Evaluation and Programming Tools ..... | 120 |
|--|-----|

## L

|                     |    |
|---------------------|----|
| Loading of PC ..... | 29 |
|---------------------|----|

## M

|   |         |
|---|---------|
| <u>MCLR</u> .....                                       | 97, 100 |
| Memory  |         |
| Data Memory .....                                       | 15      |
| Program Memory .....                                    | 15      |
| Program Memory Maps                                     |         |
| PIC16C745/765 .....                                     | 15      |
| MPLAB Integrated Development Environment Software ..... | 117     |

## O

|                                 |         |
|---------------------------------|---------|
| OERR bit .....                  | 76      |
| OPCODE .....                    | 109     |
| OPTION Register .....           | 23      |
| OSC selection .....             | 95      |
| Oscillator                      |         |
| E4 .....                        | 96      |
| EC .....                        | 96      |
| H4 .....                        | 96      |
| HS .....                        | 96, 100 |
| Oscillator Configurations ..... | 96      |
| Output of TMR2 .....            | 49      |

## P

|   |                |
|---|----------------|
| Packaging .....                                     | 143            |
| Paging, Program Memory .....                        | 29             |
| Parallel Slave Port .....                           | 37, 40         |
| Parallel Slave Port (PSP)                           |                |
| Timing Diagram .....                                | 136            |
| PCL Register .....                                  | 17, 18, 29     |
| PCLATH .....  | 101            |
| PCLATH Register .....                               | 17, 18, 20, 29 |
| PCON Register .....                                 | 28, 99         |
| <u>PD</u> bit .....                                 | 22, 97         |
| PICDEM-1 Low-Cost PICmicro Demo Board .....         | 119            |
| PICDEM-2 Low-Cost PIC16CXX Demo Board .....         | 119            |
| PICDEM-3 Low-Cost PIC16CXXX Demo Board .....        | 119            |
| PICSTART® Plus Entry Level Development System ..... | 119            |
| PIE1 Register .....                                 | 25             |
| PIE2 Register .....                                 | 27             |
| Pinout Descriptions                                 |                |
| PIC16C745/765 .....                                 | 11             |
| PIR1 Register .....                                 | 26             |
| PIR2 Register .....                                 | 27             |
| POP .....   | 29             |
| POR .....   | 99             |
| Oscillator Start-up Timer (OST) .....               | 95, 99         |
| Power Control Register (PCON) .....                 | 99             |
| Power-on Reset (POR) .....                          | 95, 99, 101    |
| Power-up Timer (PWRT) .....                         | 95             |
| Power-Up-Timer (PWRT) .....                         | 99             |
| <u>TO</u> .....                                     | 97             |
| <u>POR</u> bit .....                                | 99             |
| Port RB Interrupt .....                             | 105            |
| PORTA .....   | 20, 101        |
| PORTA Register .....                                | 17, 31         |
| PORTB .....   | 20, 101        |
| PORTB Register .....                                | 17, 33         |
| PORTC .....   | 20, 101        |
| PORTC Register .....                                | 17, 35         |
| PORTD .....   | 20, 101        |
| PORTD Register .....                                | 17, 37         |
| PORTE .....   | 20, 101        |



|   |            |
|---|------------|
| PORTE Register                                | 17, 38     |
| Power-down Mode (SLEEP)                       | 107        |
| Power-on Reset (POR)                          |            |
| Timing Diagram                                | 133        |
| PR2 Register                                  | 18, 49     |
| PRO MATE® II Universal Programmer             | 119        |
| Product Identification System                 | 159        |
| Program Counter                               |            |
| PCLATH Register                               | 105        |
| Program Memory                                |            |
| Paging  | 29         |
| Program Memory Maps                           |            |
| PIC16C745/765                                 | 15         |
| Program Verification                          | 108        |
| PSPMODE bit                                   | 37, 38, 40 |
| PUSH  | 29         |
| <b>R</b>                                      |            |
| RBIF bit                                      | 33, 105    |
| RCREG   | 9          |
| RCSTA Register                                | 19, 76     |
| R $\bar{D}$ pin                               | 40         |
| Register File                                 | 15         |
| Registers                                     |            |
| FSR Summary                                   | 19         |
| INDF Summary                                  | 19         |
| INTCON Summary                                | 19         |
| PCL Summary                                   | 19         |
| PCLATH Summary                                | 19         |
| PORTB Summary                                 | 19         |
| Reset Conditions                              | 100        |
| Special Function Register Summary             | 17         |
| STATUS Summary                                | 19         |
| TMR0 Summary                                  | 19         |
| TRISB Summary                                 | 20         |
| Reset   | 95, 97     |
| Timing Diagram                                | 133        |
| Reset Conditions for Special Registers        | 100        |
| RP0 bit                                       | 15, 22     |
| RP1 bit                                       | 22         |
| RX9 bit                                       | 76         |
| RX9D bit                                      | 76         |
| <b>S</b>                                      |            |
| SEEVAL® Evaluation and Programming System     | 120        |
| Services                                      |            |
| One-Time-Programmable (OTP)                   | 7          |
| Quick-Turnaround-Production (QTP)             | 7          |
| Serialized Quick-Turnaround Production (SQTP) | 7          |
| SLEEP   | 95, 97     |
| Software Simulator (MPLAB-SIM)                | 118        |
| SPBRG Register                                | 18         |
| Special Features of the CPU                   | 95         |
| Special Function Registers                    | 17         |
| PIC16C745/765                                 | 17         |
| SPEN bit                                      | 76         |
| SREN bit                                      | 76         |
| SSPBUF  | 19         |
| Stack   | 29         |
| Overflows                                     | 29         |
| Underflow                                     | 29         |
| Status  | 64         |
| STATUS Register                               | 22, 105    |
| Synchronous Serial Port Module                | 57         |

## T

|  |          |
|--|----------|
| T1CKPS0 bit                                    | 45       |
| T1CKPS1 bit                                    | 45       |
| T1CON  | 20       |
| T1CON Register                                 | 19, 45   |
| T1OSCN bit                                     | 45       |
| T1SYNC bit                                     | 45       |
| T2CKPS0 bit                                    | 49       |
| T2CKPS1 bit                                    | 49       |
| T2CON Register                                 | 19, 49   |
| TAD  | 93       |
| Timer0   |          |
| RTCC   | 101      |
| Timing Diagram                                 | 134      |
| Timer1   |          |
| Timing Diagram                                 | 134      |
| Timers   |          |
| Timer0   | 43       |
| External Clock                                 | 44       |
| Interrupt                                      | 43       |
| Prescaler                                      | 44       |
| Prescaler Block Diagram                        | 43       |
| T0CKI  | 44       |
| T0IF   | 105      |
| TMR0 Interrupt                                 | 105      |
| Timer1   |          |
| Asynchronous Counter Mode                      | 47       |
| Capacitor Selection                            | 47       |
| Operation in Timer Mode                        | 46       |
| Oscillator                                     | 47       |
| Prescaler                                      | 47       |
| Resetting of Timer1 Registers                  | 47       |
| Resetting Timer1 using a CCP Trigger Output    | 47       |
| Synchronized Counter Mode                      | 46       |
| T1CON  | 45       |
| TMR1H  | 47       |
| TMR1L  | 47       |
| Timer2   |          |
| Block Diagram                                  | 49       |
| Module   | 49       |
| Postscaler                                     | 49       |
| Prescaler                                      | 49       |
| T2CON  | 49       |
| Timing Diagrams                                |          |
| USART Asynchronous Master Transmission         | 80       |
| USART Asynchronous Reception                   | 81       |
| USART Synchronous Reception                    | 86       |
| USART Synchronous Transmission                 | 84       |
| Wake-up from Sleep via Interrupt               | 104, 108 |
| Timing Diagrams and Specifications             | 130      |
| A/D Conversion                                 | 139      |
| Brown-out Reset (BOR)                          | 133      |
| Capture/Compare/PWM (CCP)                      | 135      |
| CLKOUT and I/O                                 | 132      |
| External Clock                                 | 130      |
| Oscillator Start-up Timer (OST)                | 133      |
| Parallel Slave Port (PSP)                      | 136      |
| Power-up Timer (PWRT)                          | 133      |
| Reset  | 133      |
| Timer0 and Timer1                              | 134      |
| USART Synchronous Receive ( Master/Slave)      | 137      |
| USART Synchronous Transmission ( Master/Slave) | 137      |
| Watchdog Timer (WDT)                           | 133      |
| TMR0   | 20       |
| TMR0 Register                                  | 17       |
| TMR1CS bit                                     | 45       |

# PIC16C745/765

---

|                           |            |
|---------------------------|------------|
| TMR1H .....               | 20         |
| TMR1H Register .....      | 17         |
| TMR1L .....               | 20         |
| TMR1L Register .....      | 17         |
| TMR1ON bit .....          | 45         |
| TMR2 .....                | 20         |
| TMR2 Register .....       | 17         |
| TMR2ON bit .....          | 49         |
| $\overline{TO}$ bit ..... | 22         |
| TOUTPS0 bit .....         | 49         |
| TOUTPS1 bit .....         | 49         |
| TOUTPS2 bit .....         | 49         |
| TOUTPS3 bit .....         | 49         |
| TRISA Register .....      | 18, 31     |
| TRISB Register .....      | 18, 33     |
| TRISC Register .....      | 18, 35     |
| TRISD Register .....      | 18, 37     |
| TRISE Register .....      | 18, 38, 39 |
| TXREG .....               | 19         |
| TXSTA Register .....      | 75         |

## U

|   |                    |
|---|--------------------|
| Universal Synchronous Asynchronous Receiver Transmitter (USART) ..... | 75                 |
| USART   |                    |
| Asynchronous Mode .....   | 79                 |
| Asynchronous Receiver .....   | 81                 |
| Asynchronous Reception .....  | 82                 |
| Asynchronous Transmitter .....  | 79                 |
| Baud Rate Generator (BRG) .....                                       | 77                 |
| Receive Block Diagram .....   | 81                 |
| Sampling .....  | 77                 |
| Synchronous Master Mode .....   | 83                 |
| Timing Diagram, Synchronous Receive .....                             | 137                |
| Timing Diagram, Synchronous Transmission ..                           | 137                |
| Synchronous Master Reception .....                                    | 85                 |
| Synchronous Master Transmission .....                                 | 83                 |
| Synchronous Slave Mode .....  | 87                 |
| Synchronous Slave Reception .....                                     | 87                 |
| Synchronous Slave Transmit .....                                      | 87                 |
| Transmit Block Diagram .....  | 79                 |
| USB .....   | 21, 58, 60, 61, 62 |
| USB Address Register .....  | 66                 |
| USB Control Register .....  | 65                 |
| USB Endpoint Control Register.....                                    | 67                 |
| UV Erasable Devices .....   | 7                  |

## W

|                                  |                  |
|----------------------------------|------------------|
| W Register .....                 | 105              |
| Wake-up from SLEEP .....         | 107              |
| Watchdog Timer (WDT) .....       | 95, 97, 100, 106 |
| Timing Diagram .....             | 133              |
| WDT .....                        | 100              |
| Block Diagram .....              | 106              |
| Period .....                     | 106              |
| Programming Considerations ..... | 106              |
| Timeout .....                    | 101              |
| $\overline{WR}$ pin .....        | 40               |
| WWW, On-Line Support .....       | 3                |

## Z

|             |    |
|-------------|----|
| Z bit ..... | 22 |
|-------------|----|

## ON-LINE SUPPORT

Microchip provides on-line support on the Microchip World Wide Web (WWW) site.

The web site is used by Microchip as a means to make files and information easily available to customers. To view the site, the user must have access to the Internet and a web browser, such as Netscape or Microsoft Explorer. Files are also available for FTP download from our FTP site.

### Connecting to the Microchip Internet Web Site

The Microchip web site is available by using your favorite Internet browser to attach to:

**[www.microchip.com](http://www.microchip.com)**

The file transfer site is available by using an FTP service to connect to:

**<ftp://ftp.microchip.com>**

The web site and file transfer site provide a variety of services. Users may download files for the latest Development Tools, Data Sheets, Application Notes, User's Guides, Articles and Sample Programs. A variety of Microchip specific business information is also available, including listings of Microchip sales offices, distributors and factory representatives. Other data available for consideration is:

- Latest Microchip Press Releases
- Technical Support Section with Frequently Asked Questions
- Design Tips
- Device Errata
- Job Postings
- Microchip Consultant Program Member Listing
- Links to other useful web sites related to Microchip Products
- Conferences for products, Development Systems, technical information and more
- Listing of seminars and events

## Systems Information and Upgrade Hot Line

The Systems Information and Upgrade Line provides system users a listing of the latest versions of all of Microchip's development systems software products. Plus, this line provides information on how customers can receive any currently available upgrade kits. The Hot Line Numbers are:

1-800-755-2345 for U.S. and most of Canada, and

1-480-786-7302 for the rest of the world.

981103

**Trademarks:** The Microchip name, logo, PIC, PICmicro, PICSTART, PICMASTER and PRO MATE are registered trademarks of Microchip Technology Incorporated in the U.S.A. and other countries. *FlexROM*, MPLAB and *fuzzy-LAB* are trademarks and SQTP is a service mark of Microchip in the U.S.A.

All other trademarks mentioned herein are the property of their respective companies.

# PIC16C745/765

---

## READER RESPONSE

It is our intention to provide you with the best documentation possible to ensure successful use of your Microchip product. If you wish to provide your comments on organization, clarity, subject matter, and ways in which our documentation can better serve you, please FAX your comments to the Technical Publications Manager at (480) 786-7578.

Please list the following information, and use this outline to provide us with your comments about this Data Sheet.

To: Technical Publications Manager Total Pages Sent  
RE: Reader Response  
From: Name \_\_\_\_\_  
Company \_\_\_\_\_  
Address \_\_\_\_\_  
City / State / ZIP / Country \_\_\_\_\_  
Telephone: (\_\_\_\_) \_\_\_\_\_ - \_\_\_\_\_ FAX: (\_\_\_\_) \_\_\_\_\_ - \_\_\_\_\_

Application (optional):

Would you like a reply? \_\_\_Y \_\_\_N

Device: **PIC16C745/765** Literature Number: **DS41124A**

Questions:

1. What are the best features of this document?  
\_\_\_\_\_  
\_\_\_\_\_
2. How does this document meet your hardware and software development needs?  
\_\_\_\_\_  
\_\_\_\_\_
3. Do you find the organization of this data sheet easy to follow? If not, why?  
\_\_\_\_\_  
\_\_\_\_\_
4. What additions to the data sheet do you think would enhance the structure and subject?  
\_\_\_\_\_  
\_\_\_\_\_
5. What deletions from the data sheet could be made without affecting the overall usefulness?  
\_\_\_\_\_  
\_\_\_\_\_
6. Is there any incorrect or misleading information (what and where)?  
\_\_\_\_\_  
\_\_\_\_\_
7. How would you improve this document?  
\_\_\_\_\_  
\_\_\_\_\_
8. How would you improve our software, systems, and silicon products?  
\_\_\_\_\_  
\_\_\_\_\_

## PRODUCT IDENTIFICATION SYSTEM

To order or obtain information, e.g., on pricing or delivery, refer to the factory or the listed sales office.

| PART NO.          | X  | /XX              | XXX                       |  |
|-------------------|--|------------------|---------------------------|--|
| Device            | Temperature Range  | Package          | Pattern                   |  |
| Device            | PIC16C745 <sup>(1)</sup> , PIC16C745T <sup>(2)</sup><br>PIC16C765 <sup>(1)</sup> , PIC16C765T <sup>(2)</sup> |                  |                           | <b>Examples:</b><br><br>a) PIC16C745/P 301 = Commercial temp., PDIP package, 6 MHz, QTP pattern #301.<br><br><b>Note 1:</b> C = CMOS<br><b>Note 2:</b> T = in tape and reel - SOIC, PLCC, TQFP, packages only. |
| Temperature Range | blank  | = 0°C to 70°C    | (Commercial)              |  |
|                   | I  | = -40°C to +85°C | (Industrial)              |  |
| Package           | JW   | =                | Windowed Cerdip - 600 mil |  |
|                   | PT   | =                | TQFP (Thin Quad Flatpack) |  |
|                   | SO   | =                | SOIC                      |  |
|                   | SP   | =                | Skinny plastic dip        |  |
|                   | P  | =                | PDIP                      |  |
|                   | L  | =                | PLCC                      |  |
| Pattern           | QTP Code or Special Requirements<br>(blank otherwise)  |                  |                           |  |

\* JW Devices are UV erasable and can be programmed to any device configuration. JW Devices meet the electrical requirement of each oscillator type.

### Sales and Support

#### Data Sheets

Products supported by a preliminary Data Sheet may have an errata sheet describing minor operational differences and recommended workarounds. To determine if an errata sheet exists for a particular device, please contact one of the following:

1. Your local Microchip sales office
2. The Microchip Corporate Literature Center U.S. FAX: (480) 786-7277
3. The Microchip Worldwide Site ([www.microchip.com](http://www.microchip.com))

Please specify which device, revision of silicon and Data Sheet (include Literature #) you are using.

#### New Customer Notification System

Register on our web site ([www.microchip.com/cn](http://www.microchip.com/cn)) to receive the most current information on our products.



## WORLDWIDE SALES AND SERVICE

### AMERICAS

#### Corporate Office

Microchip Technology Inc.  
2355 West Chandler Blvd.  
Chandler, AZ 85224-6199  
Tel: 480-786-7200 Fax: 480-786-7277  
Technical Support: 480-786-7627  
Web Address: <http://www.microchip.com>

#### Atlanta

Microchip Technology Inc.  
500 Sugar Mill Road, Suite 200B  
Atlanta, GA 30350  
Tel: 770-640-0034 Fax: 770-640-0307

#### Boston

Microchip Technology Inc.  
5 Mount Royal Avenue  
Marlborough, MA 01752  
Tel: 508-480-9990 Fax: 508-480-8575

#### Chicago

Microchip Technology Inc.  
333 Pierce Road, Suite 180  
Itasca, IL 60143  
Tel: 630-285-0071 Fax: 630-285-0075

#### Dallas

Microchip Technology Inc.  
4570 Westgrove Drive, Suite 160  
Addison, TX 75248  
Tel: 972-818-7423 Fax: 972-818-2924

#### Dayton

Microchip Technology Inc.  
Two Prestige Place, Suite 150  
Miamisburg, OH 45342  
Tel: 937-291-1654 Fax: 937-291-9175

#### Detroit

Microchip Technology Inc.  
Tri-Atria Office Building  
32255 Northwestern Highway, Suite 190  
Farmington Hills, MI 48334  
Tel: 248-538-2250 Fax: 248-538-2260

#### Los Angeles

Microchip Technology Inc.  
18201 Von Karman, Suite 1090  
Irvine, CA 92612  
Tel: 949-263-1888 Fax: 949-263-1338

#### New York

Microchip Technology Inc.  
150 Motor Parkway, Suite 202  
Hauppauge, NY 11788  
Tel: 631-273-5305 Fax: 631-273-5335

#### San Jose

Microchip Technology Inc.  
2107 North First Street, Suite 590  
San Jose, CA 95131  
Tel: 408-436-7950 Fax: 408-436-7955

### AMERICAS (continued)

#### Toronto

Microchip Technology Inc.  
5925 Airport Road, Suite 200  
Mississauga, Ontario L4V 1W1, Canada  
Tel: 905-405-6279 Fax: 905-405-6253

### ASIA/PACIFIC

#### Hong Kong

Microchip Asia Pacific  
Unit 2101, Tower 2  
Metroplaza  
223 Hing Fong Road  
Kwai Fong, N.T., Hong Kong  
Tel: 852-2-401-1200 Fax: 852-2-401-3431

#### Beijing

Microchip Technology, Beijing  
Unit 915, 6 Chaoyangmen Bei Dajie  
Dong Erhuan Road, Dongcheng District  
New China Hong Kong Manhattan Building  
Beijing 100027 PRC  
Tel: 86-10-85282100 Fax: 86-10-85282104

#### India

Microchip Technology Inc.  
India Liaison Office  
No. 6, Legacy, Convent Road  
Bangalore 560 025, India  
Tel: 91-80-229-0061 Fax: 91-80-229-0062

#### Japan

Microchip Technology Intl. Inc.  
Benex S-1 6F  
3-18-20, Shinyokohama  
Kohoku-Ku, Yokohama-shi  
Kanagawa 222-0033 Japan  
Tel: 81-45-471-6166 Fax: 81-45-471-6122

#### Korea

Microchip Technology Korea  
168-1, Youngbo Bldg. 3 Floor  
Samsung-Dong, Kangnam-Ku  
Seoul, Korea  
Tel: 82-2-554-7200 Fax: 82-2-558-5934

#### Shanghai

Microchip Technology  
RM 406 Shanghai Golden Bridge Bldg.  
2077 Yan'an Road West, Hong Qiao District  
Shanghai, PRC 200335  
Tel: 86-21-6275-5700 Fax: 86 21-6275-5060

### ASIA/PACIFIC (continued)

#### Singapore

Microchip Technology Singapore Pte Ltd.  
200 Middle Road  
#07-02 Prime Centre  
Singapore 188980  
Tel: 65-334-8870 Fax: 65-334-8850

#### Taiwan, R.O.C

Microchip Technology Taiwan  
10F-1C 207  
Tung Hua North Road  
Taipei, Taiwan, ROC  
Tel: 886-2-2717-7175 Fax: 886-2-2545-0139

### EUROPE

#### United Kingdom

Arizona Microchip Technology Ltd.  
505 Eskdale Road  
Wokingham  
Berkshire, England RG41 5TU  
Tel: 44 118 921 5858 Fax: 44-118 921-5835

#### Denmark

Microchip Technology Denmark ApS  
Regus Business Centre  
Lautrup hof 1-3  
Ballerup DK-2750 Denmark  
Tel: 45 4420 9895 Fax: 45 4420 9910

#### France

Arizona Microchip Technology SARL  
Parc d'Activite du Moulin de Massy  
43 Rue du Saule Trapu  
Batiment A - 1er Etage  
91300 Massy, France  
Tel: 33-1-69-53-63-20 Fax: 33-1-69-30-90-79

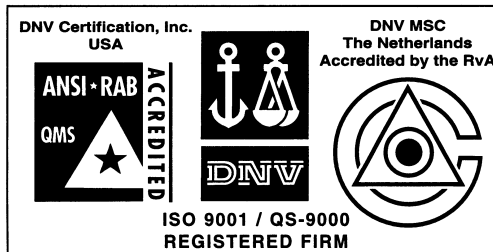
#### Germany

Arizona Microchip Technology GmbH  
Gustav-Heinemann-Ring 125  
D-81739 München, Germany  
Tel: 49-89-627-144 0 Fax: 49-89-627-144-44

#### Italy

Arizona Microchip Technology SRL  
Centro Direzionale Colleoni  
Palazzo Taurus 1 V. Le Colleoni 1  
20041 Agrate Brianza  
Milan, Italy  
Tel: 39-039-65791-1 Fax: 39-039-6899883

11/15/99



Microchip received QS-9000 quality system certification for its worldwide headquarters, design and water fabrication facilities in Chandler and Tempe, Arizona in July 1999. The Company's quality system processes and procedures are QS-9000 compliant for its PICmicro® 8-bit MCUs, KEELOC® code hopping devices, Serial EEPROMs and microperipheral products. In addition, Microchip's quality system for the design and manufacture of development systems is ISO 9001 certified.

All rights reserved. © 1999 Microchip Technology Incorporated. Printed in the USA. 11/99 Printed on recycled paper.

Information contained in this publication regarding device applications and the like is intended for suggestion only and may be superseded by updates. No representation or warranty is given and no liability is assumed by Microchip Technology Incorporated with respect to the accuracy or use of such information, or infringement of patents or other intellectual property rights arising from such use or otherwise. Use of Microchip's products as critical components in life support systems is not authorized except with express written approval by Microchip. No licenses are conveyed, implicitly or otherwise, under any intellectual property rights. The Microchip logo and name are registered trademarks of Microchip Technology Inc. in the U.S.A. and other countries. All rights reserved. All other trademarks mentioned herein are the property of their respective companies.